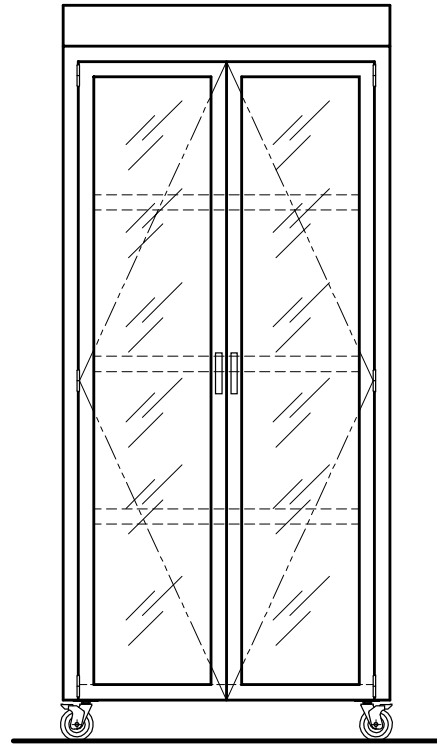


Made in the US since 1941

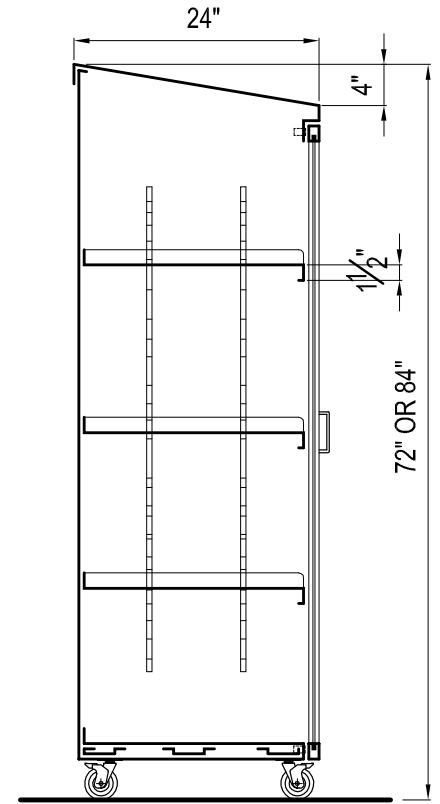
CLEAN ROOM CABINET W/GLASS DOOR

Model: CRSC-1 SERIES

T-304 N.S.F.
CONSTRUCTION



ELEVATION



SECTION

SPECIFICATIONS

- 16 GA. STAINLESS STEEL HEAVY DUTY CONSTRUCTION
- #4 POLISHED SATIN FINISH
- DOUBLE PAN DOOR WITH GLASS
- STAINLESS WIRE PULL HANDLES
- STAINLESS HEAVY DUTY LIFT-OFF HINGES
- 3 REMOVABLE AND ADJUSTABLE SHELVES
- PITCH TOP CONSTRUCTION
- 4" TALL STAINLESS STEEL CASTERS
- MAGNETIC DOOR CATCHES

MODEL #	WIDTH	DEPTH	HEIGHT	PRICE
CRSC-1A	48"	24"	72"	\$5,850.00
CRSC-1B	42"	24"	72"	\$5,250.00
CRSC-1C	36"	24"	72"	\$4,650.00
CRSC-1D	32"	24"	72"	\$4,250.00
CRSC-1E	48"	24"	84"	\$6,578.00
CRSC-1F	42"	24"	84"	\$5,888.00
CRSC-1G	36"	24"	84"	\$5,198.00
CRSC-1H	32"	24"	84"	\$4,738.00

USE FOR ARCHITECT / ENGINEER / CONTRACTOR APPROVAL

Job name _____

Date _____ QTY _____ Contractor _____

Model No. _____ Customer _____ Architect/Engineer _____



Performance Through Stainless!

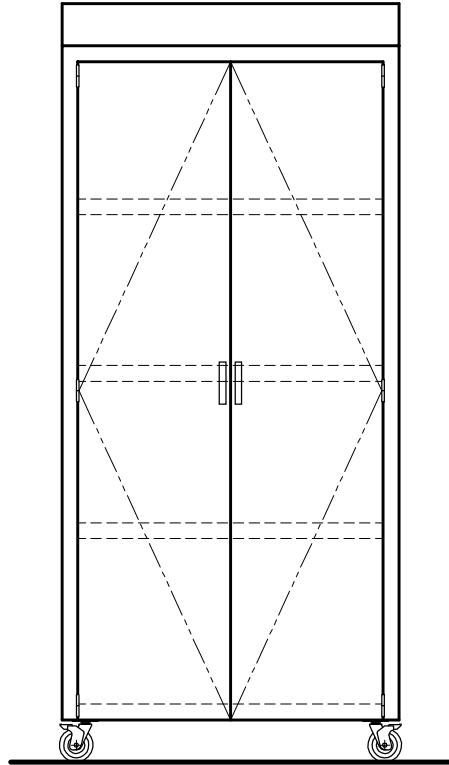
43 South Linden Ave South San Francisco CA 94080 Ph (650) 589-4231 Fax (650) 589-3981 www.berlinusa.com

Made in the US since 1941

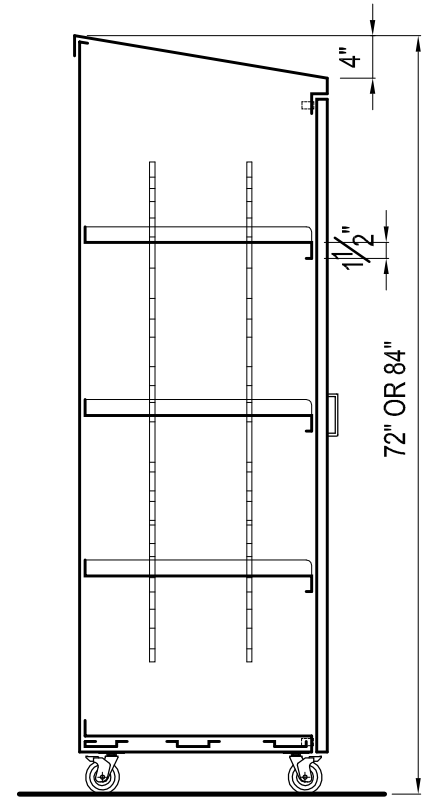
DOUBLE DOOR CLEAN ROOM CABINET

Model: CRSC-2 SERIES

T-304 N.S.F.
CONSTRUCTION



ELEVATION



SECTION

SPECIFICATIONS

- 16 GA. STAINLESS STEEL HEAVY DUTY CONSTRUCTION
- #4 POLISHED SATIN FINISH
- DOUBLE PAN DOOR
- STAINLESS WIRE PULL HANDLES
- STAINLESS HEAVY DUTY LIFT-OFF HINGES
- 3 REMOVABLE AND ADJUSTABLE SHELVES
- PITCH TOP CONSTRUCTION
- 4" TALL STAINLESS STEEL CASTERS
- MAGNETIC DOOR CATCHES

MODEL

WIDTH

DEPTH

HEIGHT

PRICE

CRSC-2A	48"	24"	72"	\$5,450.00
CRSC-2B	42"	24"	72"	\$4,850.00
CRSC-2C	36"	24"	72"	\$4,350.00
CRSC-2D	32"	24"	72"	\$3,950.00
CRSC-2E	48"	24"	84"	\$6,118.00
CRSC-2F	42"	24"	84"	\$5,428.00
CRSC-2G	36"	24"	84"	\$4,853.00
CRSC-2H	32"	24"	84"	\$4,393.00

USE FOR ARCHITECT / ENGINEER / CONTRACTOR APPROVAL

Job name _____

Date _____ QTY _____ Contractor _____

Model No. _____ Customer _____ Architect/Engineer _____



Performance Through Stainless!

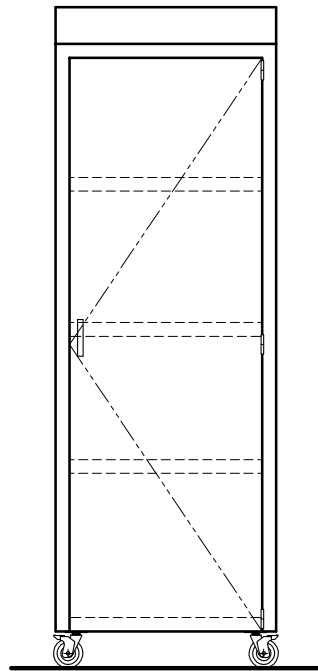
43 South Linden Ave South San Francisco CA 94080 Ph (650) 589-4231 Fax (650) 589-3981 www.berlinusa.com

Made in the US since 1941

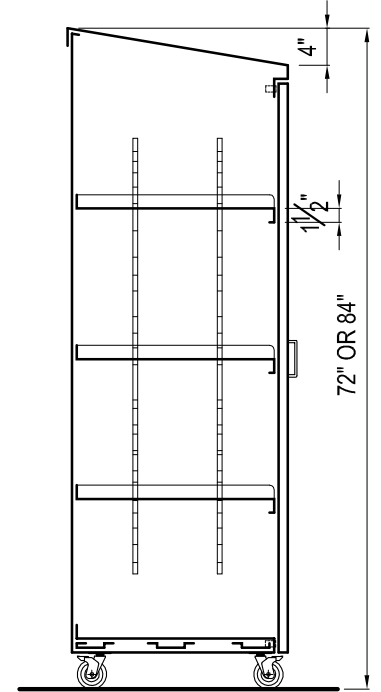
SINGLE DOOR CLEAN ROOM CABINET

Model: CRSC-24 SERIES

T-304 N.S.F.
CONSTRUCTION



ELEVATION



SECTION

SPECIFICATIONS

- 16 GA. STAINLESS STEEL HEAVY DUTY CONSTRUCTION
- #4 POLISHED SATIN FINISH
- DOUBLE PAN DOOR
- STAINLESS WIRE PULL HANDLES
- STAINLESS HEAVY DUTY LIFT-OFF HINGES
- 3 REMOVABLE AND ADJUSTABLE SHELVING
- PITCH TOP CONSTRUCTION
- 4" TALL STAINLESS STEEL CASTERS
- MAGNETIC DOOR CATCHES

MODEL

WIDTH

DEPTH

HEIGHT

PRICE

CRSC-24-1	24"	24"	72"	\$3,750.00
CRSC-24-2	42"	24"	72"	\$3,450.00
CRSC-24-3	16"	24"	72"	\$3,250.00
CRSC-24-4	12"	24"	72"	\$3,050.00
CRSC-24-5	24"	24"	84"	\$4,163.00
CRSC-24-6	42"	24"	84"	\$3,818.00
CRSC-24-7	16"	24"	84"	\$3,587.00
CRSC-24-8	12"	24"	84"	\$3,358.00

USE FOR ARCHITECT / ENGINEER / CONTRACTOR APPROVAL

Job name _____

Date _____ QTY _____ Contractor _____

Model No. _____ Customer _____ Architect/Engineer _____



Performance Through Stainless!

43 South Linden Ave South San Francisco CA 94080 Ph (650) 589-4231 Fax (650) 589-3981 www.berlinusa.com