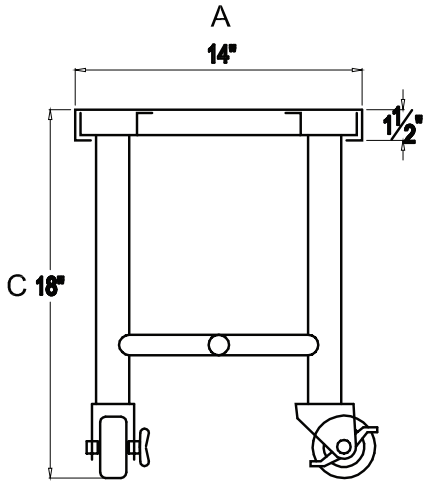


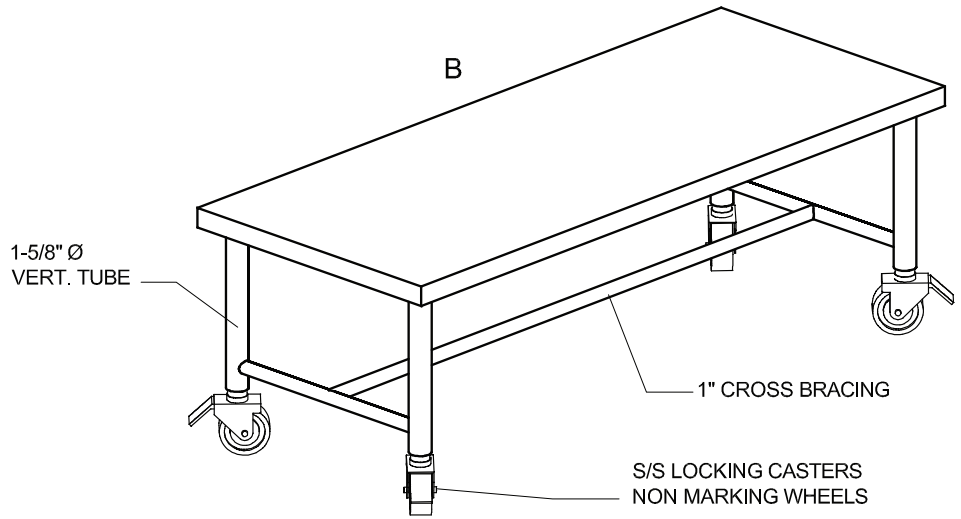
CLEAN ROOM BENCH WITH CASTERS

Model: GB-1 SERIES

T-304 N.S.F.
CONSTRUCTION



SECTION



SPECIFICATIONS

- HIGH GRADE STAINLESS STEEL
- TOPS ARE CONSTRUCTED OF 14 GAUGE, T-304 STAINLESS STEEL WITH A #4 FINISH.
- CHANNELING IS CONSTRUCTED OF 18 GAUGE, T-304 STAINLESS STEEL.
- AVAILABLE IN CUSTOM SIZES TO SUIT YOUR REQUIREMENTS.
- OPTIONS OF MOBILE CLEAN ROOM CASTERS ADD \$160.00
- HEAVY DUTY CLEAN ROOM GMP CONSTRUCTION

CUSTOM SIZE QUOTE

WIDTH (A) _____

LENGTH (B) _____

HEIGHT (C) _____

QUANTITY: _____

MODEL #	WIDTH	LENGTH	HEIGHT
GB1-24	14"	24"	18"
GB1-36	14"	36"	18"
GB1-48	14"	48"	18"
GB1-60	14"	60"	18"
GB1-72	14"	72"	18"
GB1-84	14"	84"	18"
GB1-96	14"	96"	18"
GB1-120	14"	120"	18"

OPTIONS

- ELECTROPOLISHED
- T-316 S/S AVAILABLE
- PERFORATED TOP
- L-SHAPE SECTIONS
- REMOVABLE UNDERSHELF

USE FOR ARCHITECT / ENGINEER / CONTRACTOR APPROVAL

Job name _____

Date _____ QTY _____ Contractor _____

Model No. _____ Customer _____ Architect/Engineer _____

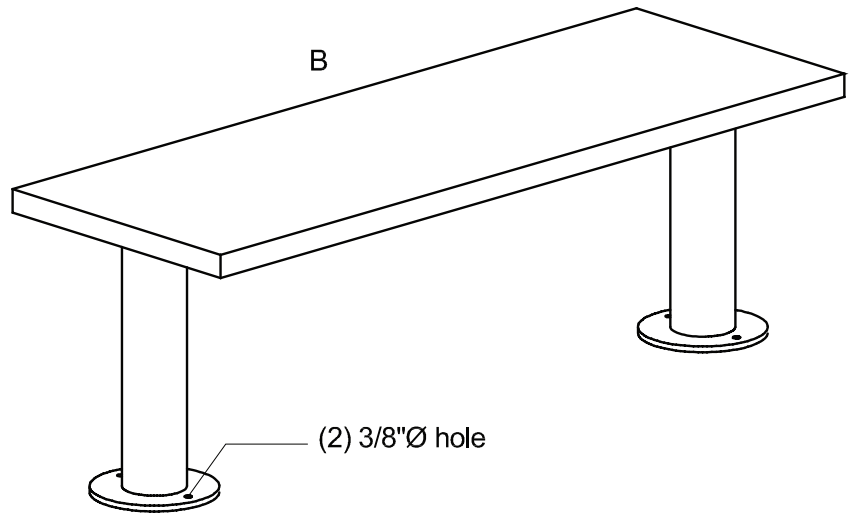
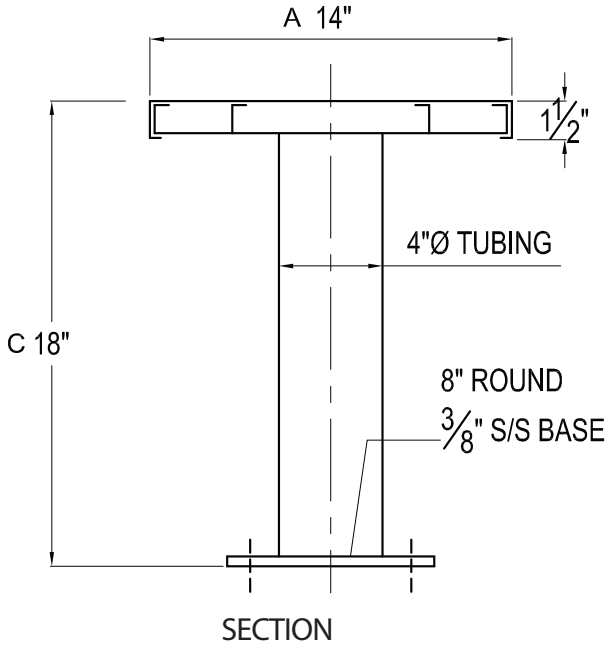


Performance Through Stainless!

CLEAN ROOM BENCH WITH PEDESTAL

Model: GB-2 SERIES

T-304 N.S.F.
CONSTRUCTION



SPECIFICATIONS

- HIGH GRADE STAINLESS STEEL
- TOPS ARE CONSTRUCTED OF 14 GAUGE, T-304 STAINLESS STEEL WITH A #4 FINISH.
- CHANNELING IS CONSTRUCTED OF 18 GAUGE, T-304 STAINLESS STEEL.
- AVAILABLE IN CUSTOM SIZES TO SUIT YOUR REQUIREMENTS.
- OPTIONS OF MOBILE CLEAN ROOM CASTERS ADD \$160.00
- HEAVY DUTY CLEAN ROOM GMP CONSTRUCTION

CUSTOM SIZE QUOTE

WIDTH (A) _____

LENGTH (B) _____

HEIGHT (C) _____

QUANTITY: _____

MODEL #	WIDTH	LENGTH	HEIGHT
GB2-24	14"	24"	18"
GB2-36	14"	36"	18"
GB2-48	14"	48"	18"
GB2-60	14"	60"	18"
GB2-72	14"	72"	18"
GB2-84	14"	84"	18"
GB2-96	14"	96"	18"
GB2-120	14"	120"	18"

OPTIONS

- ELECTROPOLISHED
- T-316 S/S AVAILABLE
- PERFORATED TOP
- L-SHAPE SECTIONS
- REMOVABLE UNDERSHELF

USE FOR ARCHITECT / ENGINEER / CONTRACTOR APPROVAL

Job name _____

Date _____ QTY _____ Contractor _____

Model No. _____ Customer _____ Architect/Engineer _____

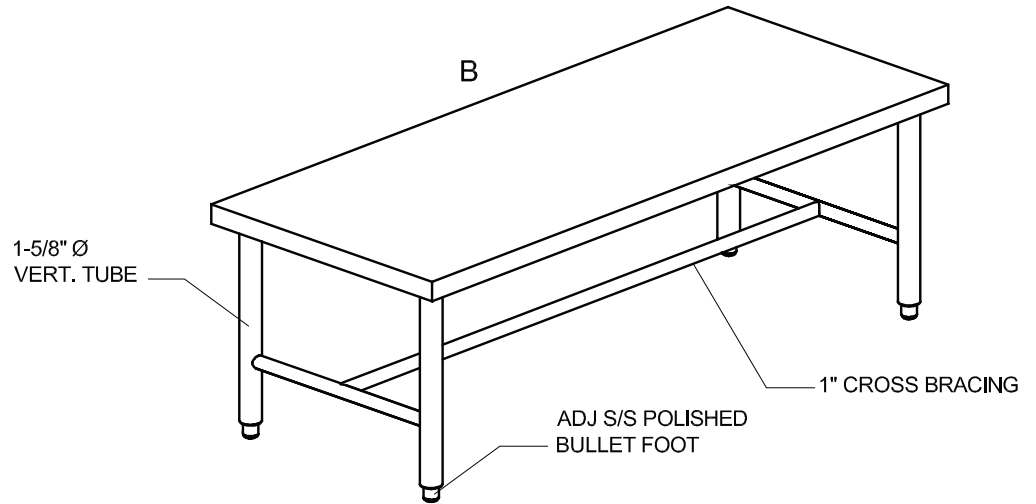
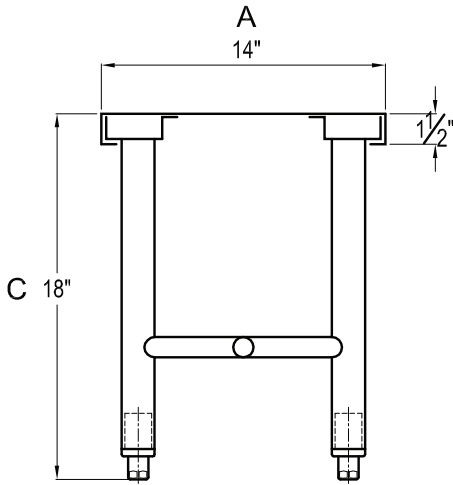


Performance Through Stainless!

CLEAN ROOM BENCH

Model: GB-3 SERIES

T-304 N.S.F.
CONSTRUCTION



SPECIFICATIONS	CUSTOM SIZE QUOTE	MODEL #	WIDTH	LENGTH	HEIGHT
-HIGH GRADE STAINLESS STEEL	WIDTH (A) _____	GB3-24	14"	24"	18"
-TOPS ARE CONSTRUCTED OF 14 GAUGE, T-304 STAINLESS STEEL WITH A #4 FINISH.	LENGTH (B) _____	GB3-36	14"	36"	18"
-CHANNELING IS CONSTRUCTED OF 18 GAUGE, T-304 STAINLESS STEEL.	HEIGHT (C) _____	GB3-48	14"	48"	18"
-AVAILABLE IN CUSTOM SIZES TO SUIT YOUR REQUIREMENTS.	QUANTITY: _____	GB3-60	14"	60"	18"
-OPTIONS OF MOBILE CLEAN ROOM CASTERS ADD \$160.00		GB3-72	14"	72"	18"
-HEAVY DUTY CLEAN ROOM GMP CONSTRUCTION		GB3-84	14"	84"	18"
		GB3-96	14"	96"	18"
		GB3-120	14"	120"	18"

OPTIONS
<input type="checkbox"/> ELECTROPOLISHED
<input type="checkbox"/> T-316 S/S AVAILABLE
<input type="checkbox"/> PERFORATED TOP
<input type="checkbox"/> L-SHAPE SECTIONS
<input type="checkbox"/> REMOVABLE UNDERSHELF

USE FOR ARCHITECT / ENGINEER / CONTRACTOR APPROVAL

Job name _____

Date _____ QTY _____ Contractor _____

Model No. _____ Customer _____ Architect/Engineer _____

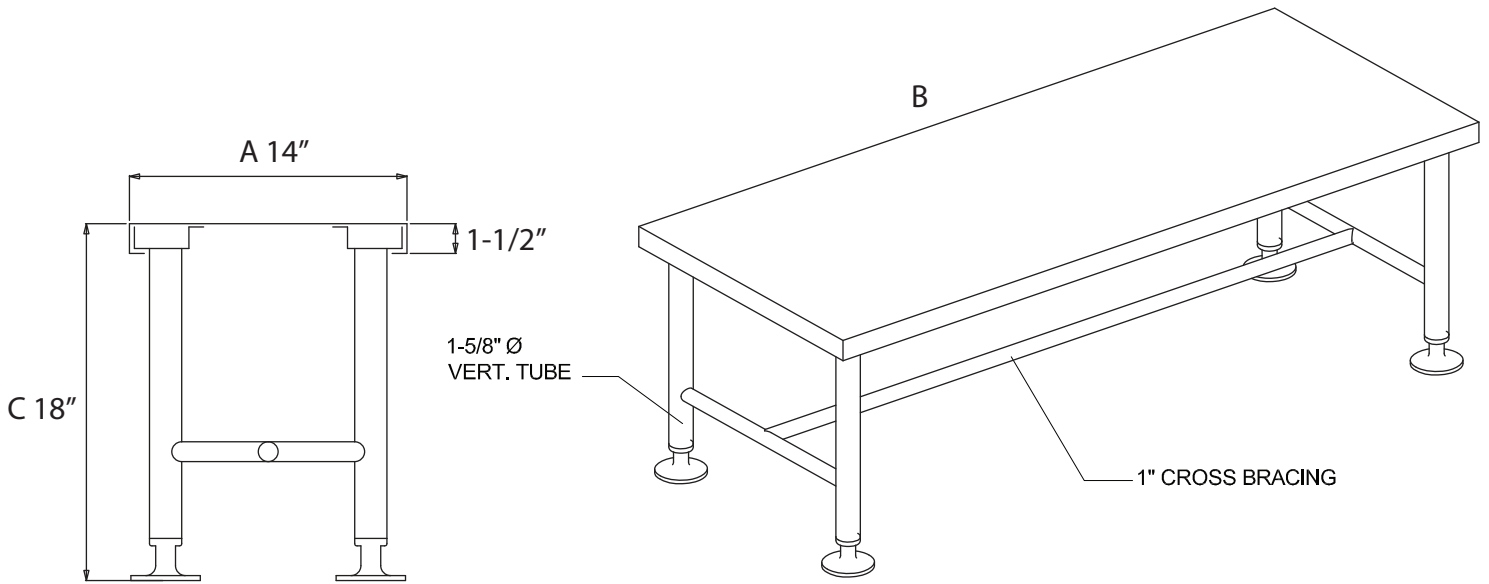


Performance Through Stainless!

CLEAN ROOM BENCH

Model: GB-3 SERIES

T-304 N.S.F.
CONSTRUCTION



SPECIFICATIONS

- HIGH GRADE STAINLESS STEEL
- TOPS ARE CONSTRUCTED OF 14 GAUGE, T-304 STAINLESS STEEL WITH A #4 FINISH.
- CHANNELING IS CONSTRUCTED OF 18 GAUGE, T-304 STAINLESS STEEL.
- AVAILABLE IN CUSTOM SIZES TO SUIT YOUR REQUIREMENTS.
- OPTIONS OF MOBILE CLEAN ROOM CASTERS ADD \$160.00
- HEAVY DUTY CLEAN ROOM GMP CONSTRUCTION

CUSTOM SIZE QUOTE

WIDTH (A) _____

LENGTH (B) _____

HEIGHT (C) _____

QUANTITY: _____

MODEL #	WIDTH	LENGTH	HEIGHT
GB3-24	14"	24"	18"
GB3-36	14"	36"	18"
GB3-48	14"	48"	18"
GB3-60	14"	60"	18"
GB3-72	14"	72"	18"
GB3-84	14"	84"	18"
GB3-96	14"	96"	18"
GB3-120	14"	120"	18"

OPTIONS

- ELECTROPOLISHED
- T-316 S/S AVAILABLE
- PERFORATED TOP
- L-SHAPE SECTIONS
- REMOVABLE UNDERSHELF

USE FOR ARCHITECT / ENGINEER / CONTRACTOR APPROVAL

Job name _____

Date _____ QTY _____ Contractor _____

Model No. _____ Customer _____ Architect/Engineer _____



Performance Through Stainless!