

STAINLESS STEEL DOOR KICK PLATES

HIGH GRADE 18 GAUGE S/S

T-304 SATIN FINISH WITH HOLES

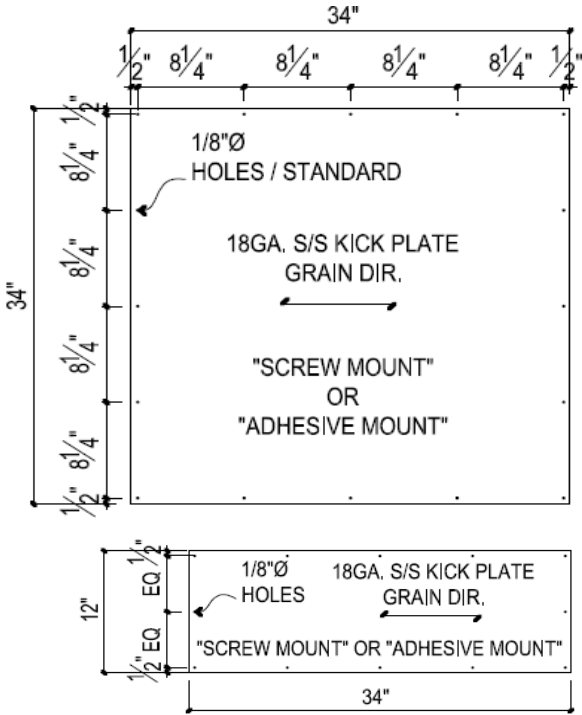
MODEL NO.	DIMENSIONS (IN.)	PRICE
HDWR4812	24 x 34	\$ 128.25
HDWR4813	28 x 8	\$ 48.28
HDWR4814	28 x 12	\$ 69.60
HDWR4815	28 x 36	\$ 140.09
HDWR4816	28 x 42	\$ 171.00
HDWR4817	30 x 8	\$ 50.30
HDWR4818	30 x 12	\$ 65.34
HDWR4819	34 x 8	\$ 54.32
HDWR4820	34 x 12	\$ 71.36
HDWR4821	34 x 34	\$ 168.32
HDWR4822	34 x 36	\$ 176.00
HDWR4823	34 x 42	\$ 198.40
HDWR4824	34 x 46	\$ 217.20
HDWR4825	36 x 8	\$ 53.32
HDWR4826	36 x 12	\$ 74.38

T-304 DULL FINISH WITH HOLES

MODEL NO.	DIMENSIONS (IN.)	PRICE
HDWR4827	24 x 34	\$ 118.25
HDWR4828	28 x 8	\$ 38.28
HDWR4829	28 x 12	\$ 59.60
HDWR4830	28 x 36	\$ 130.09
HDWR4831	28 x 42	\$ 161.00
HDWR4832	30 x 8	\$ 40.30
HDWR4833	30 x 12	\$ 55.34
HDWR4834	34 x 8	\$ 44.32
HDWR4835	34 x 12	\$ 61.36
HDWR4836	34 x 34	\$ 158.82
HDWR4837	34 x 36	\$ 166.00
HDWR4838	34 x 42	\$ 188.25
HDWR4839	34 x 46	\$ 207.20
HDWR4840	36 x 8	\$ 46.32
HDWR4841	36 x 12	\$ 64.38

T-316 DULL FINISH WITH HOLES

MODEL NO.	DIMENSIONS (IN.)	PRICE
HDWR4842	24 x 34	\$ 153.73
HDWR4843	28 x 8	\$ 49.76
HDWR4844	28 x 12	\$ 77.48
HDWR4845	28 x 36	\$ 169.12
HDWR4846	28 x 42	\$ 209.30
HDWR4847	30 x 8	\$ 52.39
HDWR4848	30 x 12	\$ 71.94
HDWR4849	34 x 8	\$ 57.62
HDWR4850	34 x 12	\$ 79.77
HDWR4851	34 x 34	\$ 206.47
HDWR4852	34 x 36	\$ 215.80
HDWR4853	34 x 42	\$ 244.76
HDWR4854	34 x 46	\$ 269.36
HDWR4855	36 x 8	\$ 60.22
HDWR4856	36 x 12	\$ 83.62



USE FOR ARCHITECT / ENGINEER / CONTRACTOR APPROVAL

Job name _____
 Date _____ QTY _____ Contractor _____
 Model No. _____ Customer _____ Architect/Engineer _____



Performance Through Stainless!