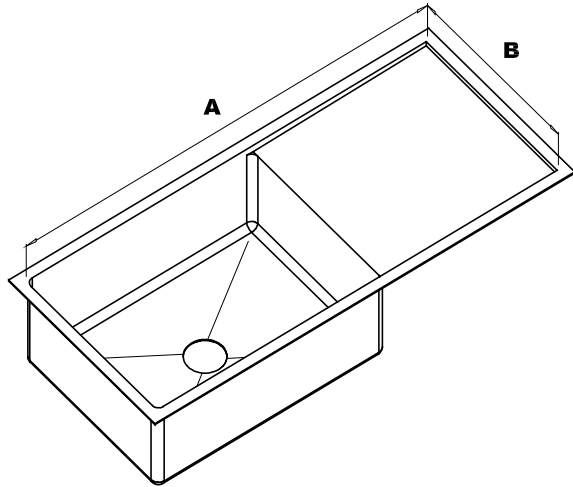
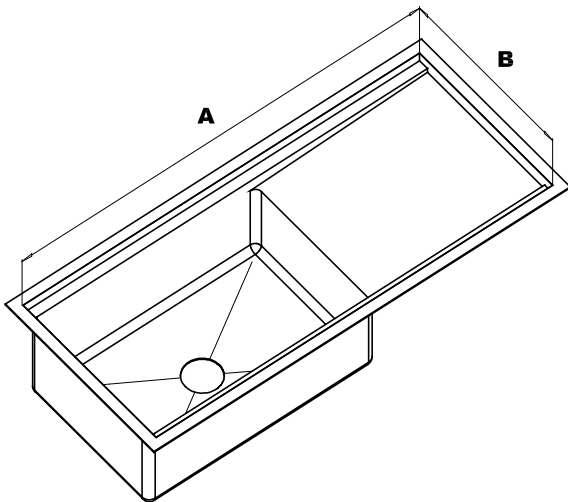


PROFESSIONAL GRADE



MOD. NO.	"A" LENGHT	"B" WIDTH	DEPTH	SINK PRICE
B-33-S	33	18	10 / 12	\$ 1,107.00
B-36-S	36	18	10 / 12	\$ 1,273.00
B-42-S	42	18	10 / 12	\$ 1,463.00
B-46-S	46	18	10 / 12	\$ 1,682.00

T-316L AVAILABLE FOR CAUSTIC /
CORROSIVE ENVIRONMENTS.
(CUSTOM SIZES AVAILABLE)



MOD. NO.	"A" LENGHT	"B" WIDTH	DEPTH	SINK PRICE
B-33-SR	33	18	10 / 12	\$ 1,257.00
B-36-SR	36	18	10 / 12	\$ 1,407.00
B-42-SR	42	18	10 / 12	\$ 1,552.00
B-46-SR	46	18	10 / 12	\$ 1,707.00

T-316L AVAILABLE FOR CAUSTIC /
CORROSIVE ENVIRONMENTS.
(CUSTOM SIZES AVAILABLE)

USE FOR ARCHITECT / ENGINEER / CONTRACTOR APPROVAL

JOB NAME _____ DATE _____

MODEL No. _____ QTY _____

CUSTOMER _____

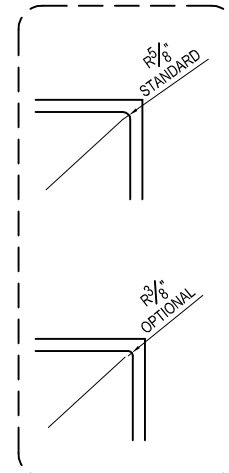
CONTRACTOR _____

ARCHITECT / ENGINEER _____



MADE IN
THE U.S.A
CERTIFIED
TO ANSI

CODE / STANDARD
COMPLIANCE.
ASME 112.19.3-00



SPECIFICATIONS

16 GA. STAINLESS STEEL CONSTRUCTION T-304 HIGH GRADE MATERIALS.
#4 SATIN POLISHED FINISH AND SOUND COATED BOTTOM "NOISE REDUCTION"
FULLY WELDED AND POLISHED ASSEMBLY NO SINKS ARE STAMPED.
BEAUTIFULLY POLISHED AND DETAILED FOR PROFESSIONAL APPLICATIONS.