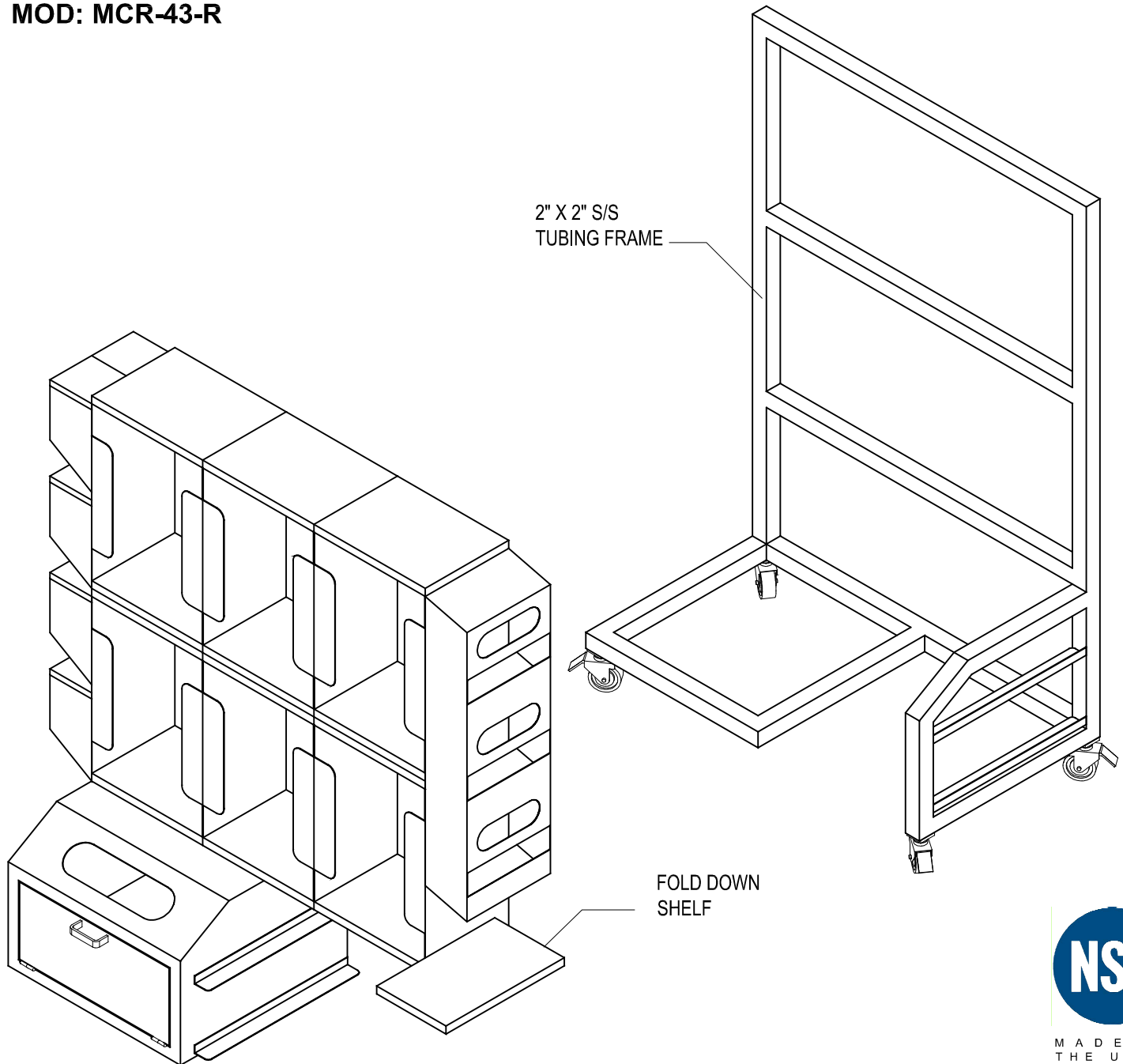


**16GA. S/S CONSTR. MOBILE CLEAN ROOM GOWNING STATION**

- ALL #4 FIN. T-304 S/S.
- 316 & 316 L AVAILABLE.

**MOD: MCR-43-R**



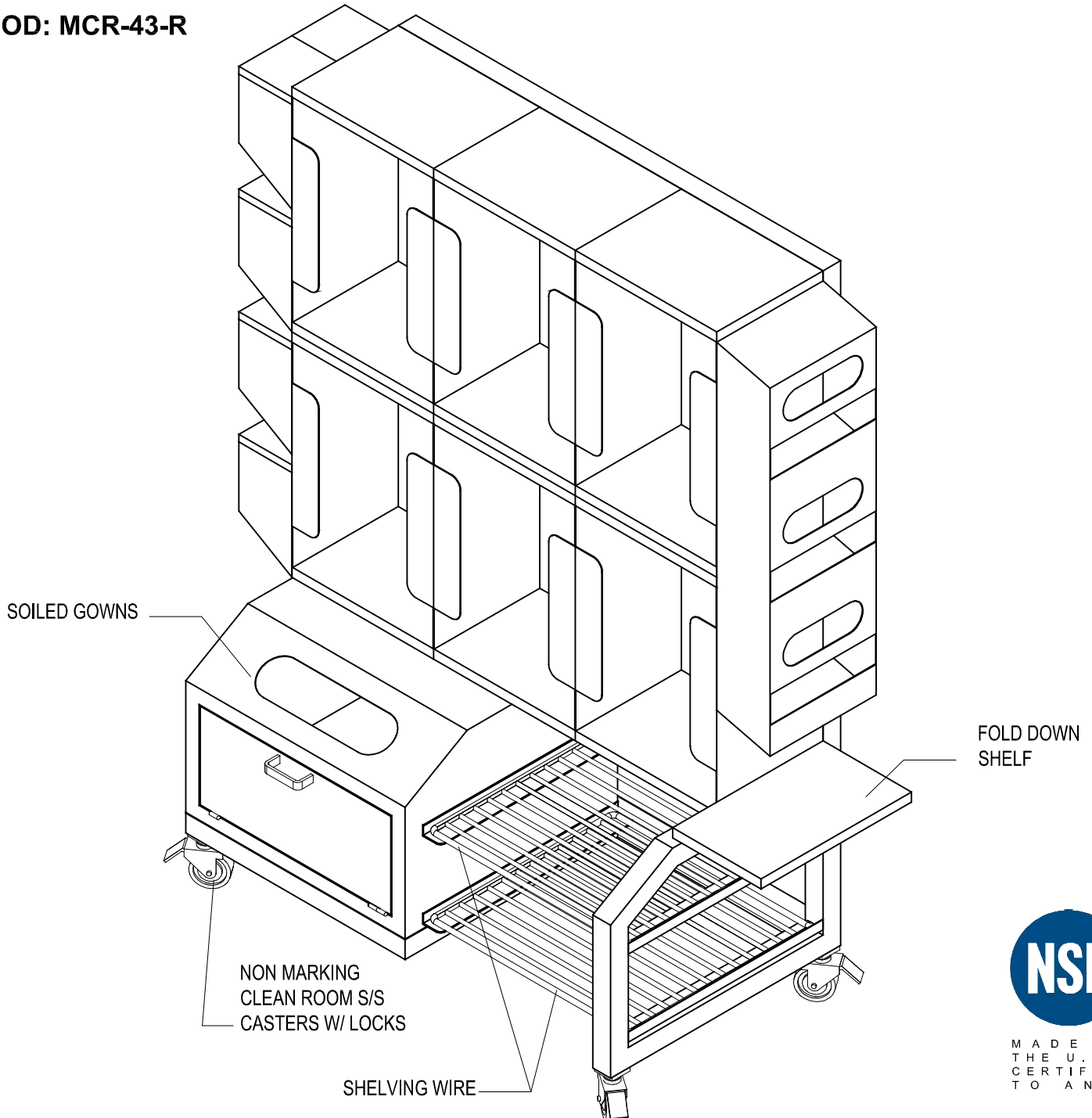
MADE IN  
 THE U.S.A  
 CERTIFIED  
 TO ANSI

<b>USE FOR ARCHITECT / ENGINEER / CONTRACTOR APPROVAL</b>	
JOB NAME _____	DATE _____
MODEL No. _____	QTY _____
CUSTOMER _____	
CONTRACTOR _____	
ARCHITECT / ENGINEER _____	

**16GA. S/S CONSTR. MOBILE CLEAN ROOM GOWNING STATION**

- ALL #4 FIN. T-304 S/S.
- 316 & 316 L AVAILABLE.

**MOD: MCR-43-R**



MADE IN  
 THE U.S.A  
 CERTIFIED  
 TO ANSI

**USE FOR ARCHITECT / ENGINEER / CONTRACTOR APPROVAL**

JOB NAME \_\_\_\_\_ DATE \_\_\_\_\_

MODEL No. \_\_\_\_\_ QTY \_\_\_\_\_

CUSTOMER \_\_\_\_\_

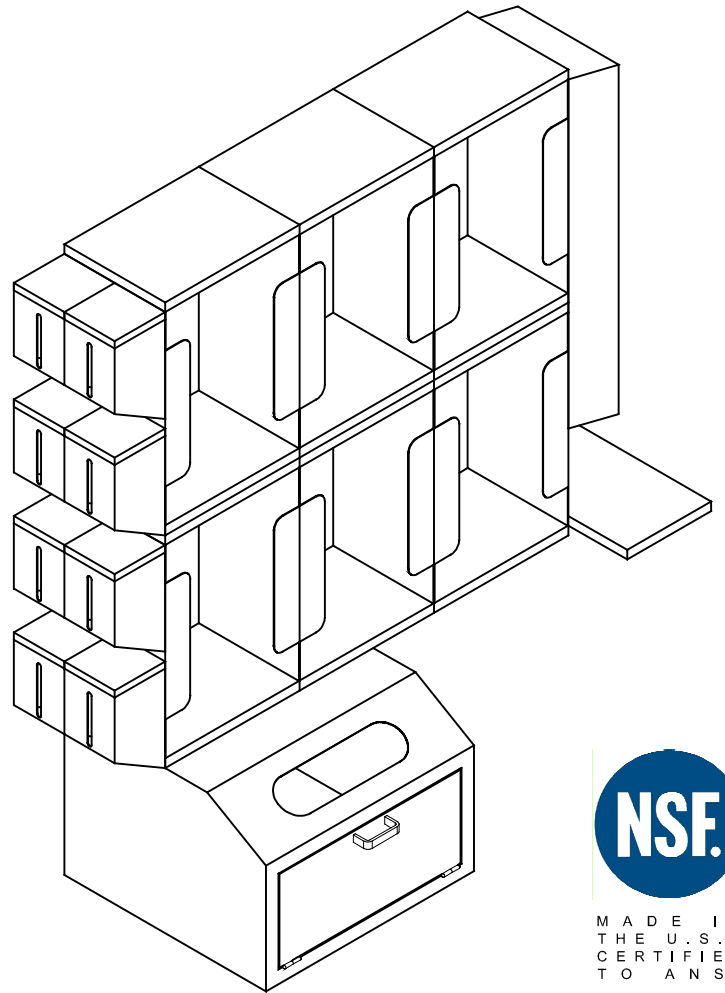
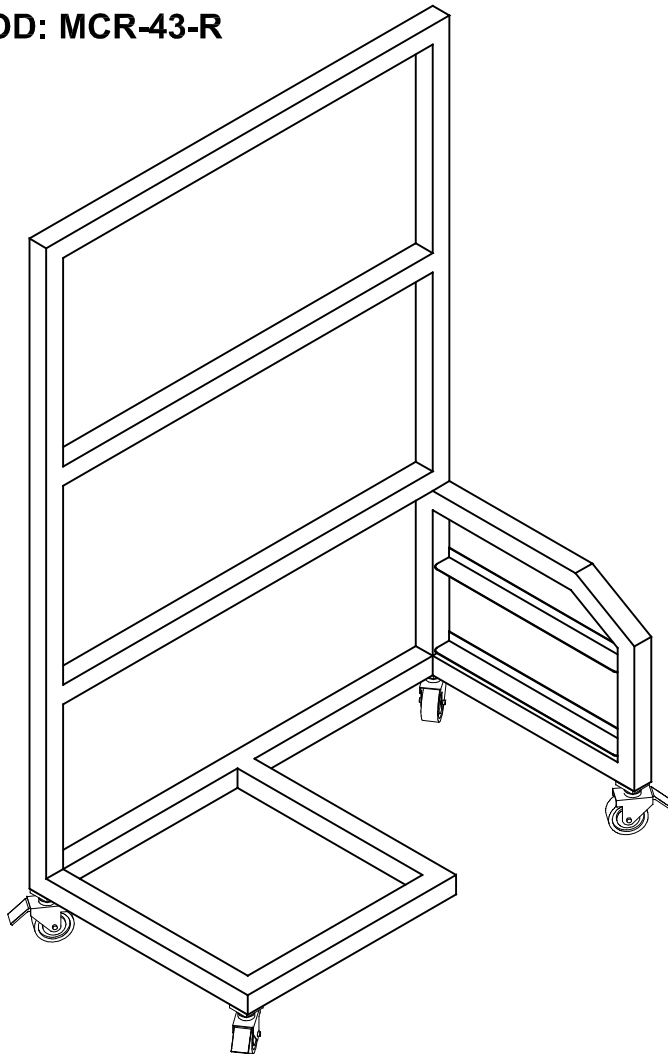
CONTRACTOR \_\_\_\_\_

ARCHITECT / ENGINEER \_\_\_\_\_

**16GA. S/S CONSTR. MOBILE CLEAN ROOM GOWNING STATION**

- ALL #4 FIN. T-304 S/S.
- 316 & 316 L AVAILABLE.

**MOD: MCR-43-R**



MADE IN  
 THE U.S.A  
 CERTIFIED  
 TO ANSI

**USE FOR ARCHITECT / ENGINEER / CONTRACTOR APPROVAL**

JOB NAME \_\_\_\_\_ DATE \_\_\_\_\_

MODEL No. \_\_\_\_\_ QTY \_\_\_\_\_

CUSTOMER \_\_\_\_\_

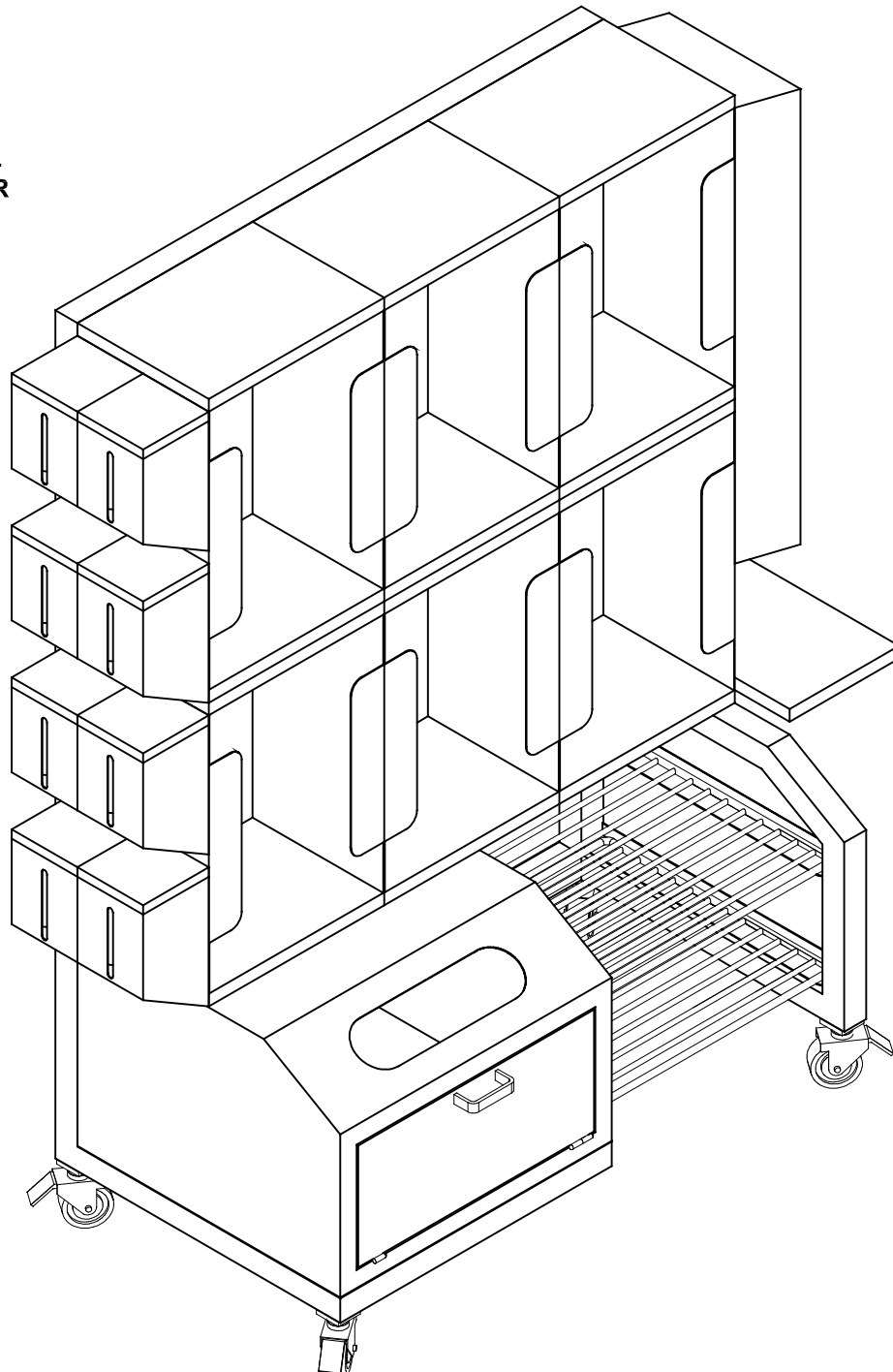
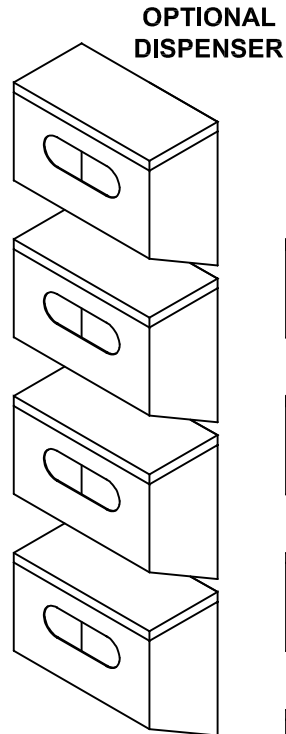
CONTRACTOR \_\_\_\_\_

ARCHITECT / ENGINEER \_\_\_\_\_

**16GA. S/S CONSTR. MOBILE CLEAN ROOM GOWNING STATION**

- ALL #4 FIN. T-304 S/S.
- 316 & 316 L AVAILABLE.

**MOD: MCR-43-R**



MADE IN  
 THE U.S.A  
 CERTIFIED  
 TO ANSI

**USE FOR ARCHITECT / ENGINEER / CONTRACTOR APPROVAL**

JOB NAME \_\_\_\_\_ DATE \_\_\_\_\_

MODEL No. \_\_\_\_\_ QTY \_\_\_\_\_

CUSTOMER \_\_\_\_\_

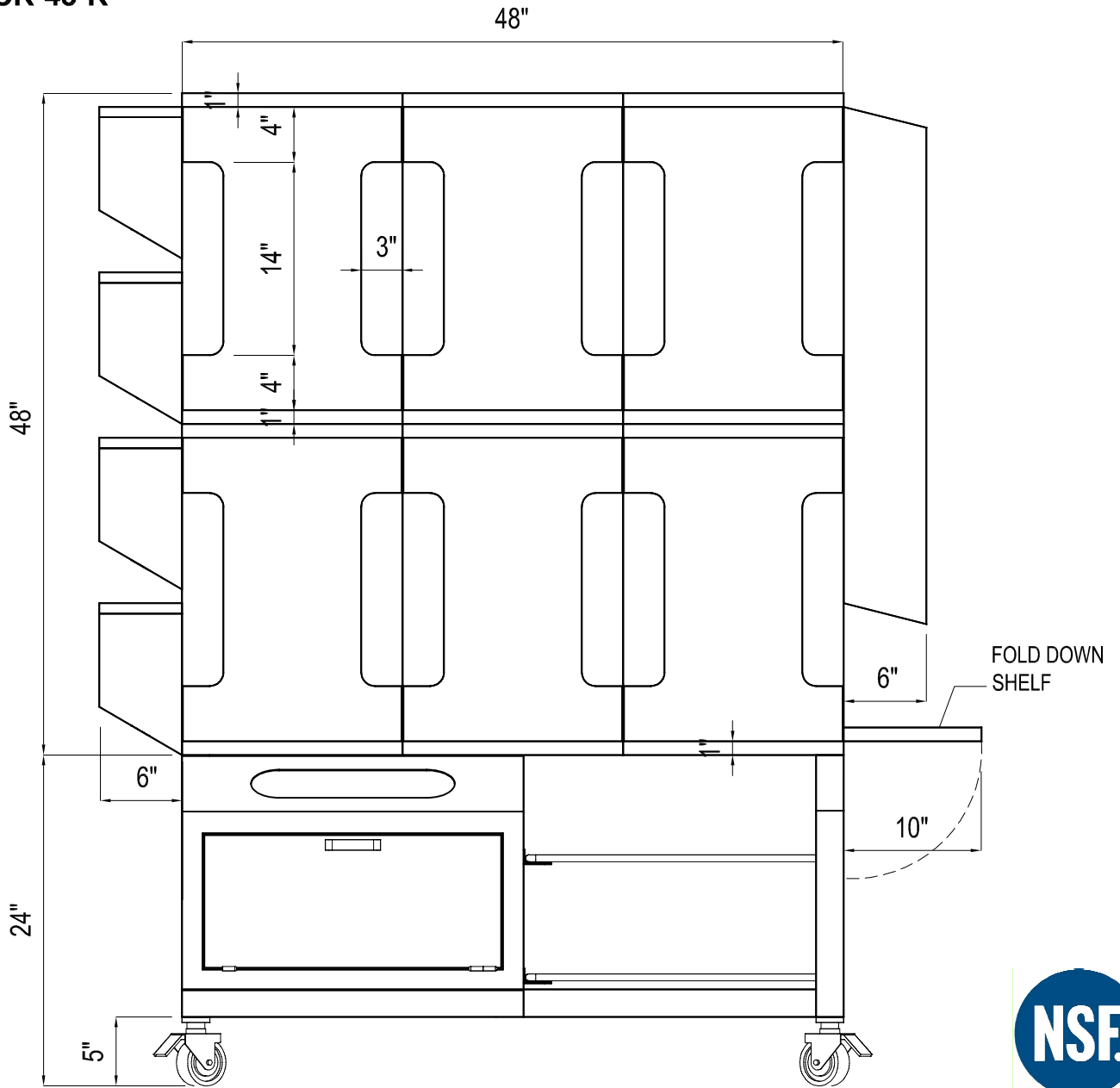
CONTRACTOR \_\_\_\_\_

ARCHITECT / ENGINEER \_\_\_\_\_

**16GA. S/S CONSTR. MOBILE CLEAN ROOM GOWNING STATION**

- ALL #4 FIN. T-304 S/S.
- 316 & 316 L AVAILABLE.

**MOD: MCR-43-R**



**FRONT VIEW**



MADE IN THE U.S.A  
 CERTIFIED TO ANSI

**USE FOR ARCHITECT / ENGINEER / CONTRACTOR APPROVAL**

JOB NAME \_\_\_\_\_ DATE \_\_\_\_\_

MODEL No. \_\_\_\_\_ QTY \_\_\_\_\_

CUSTOMER \_\_\_\_\_

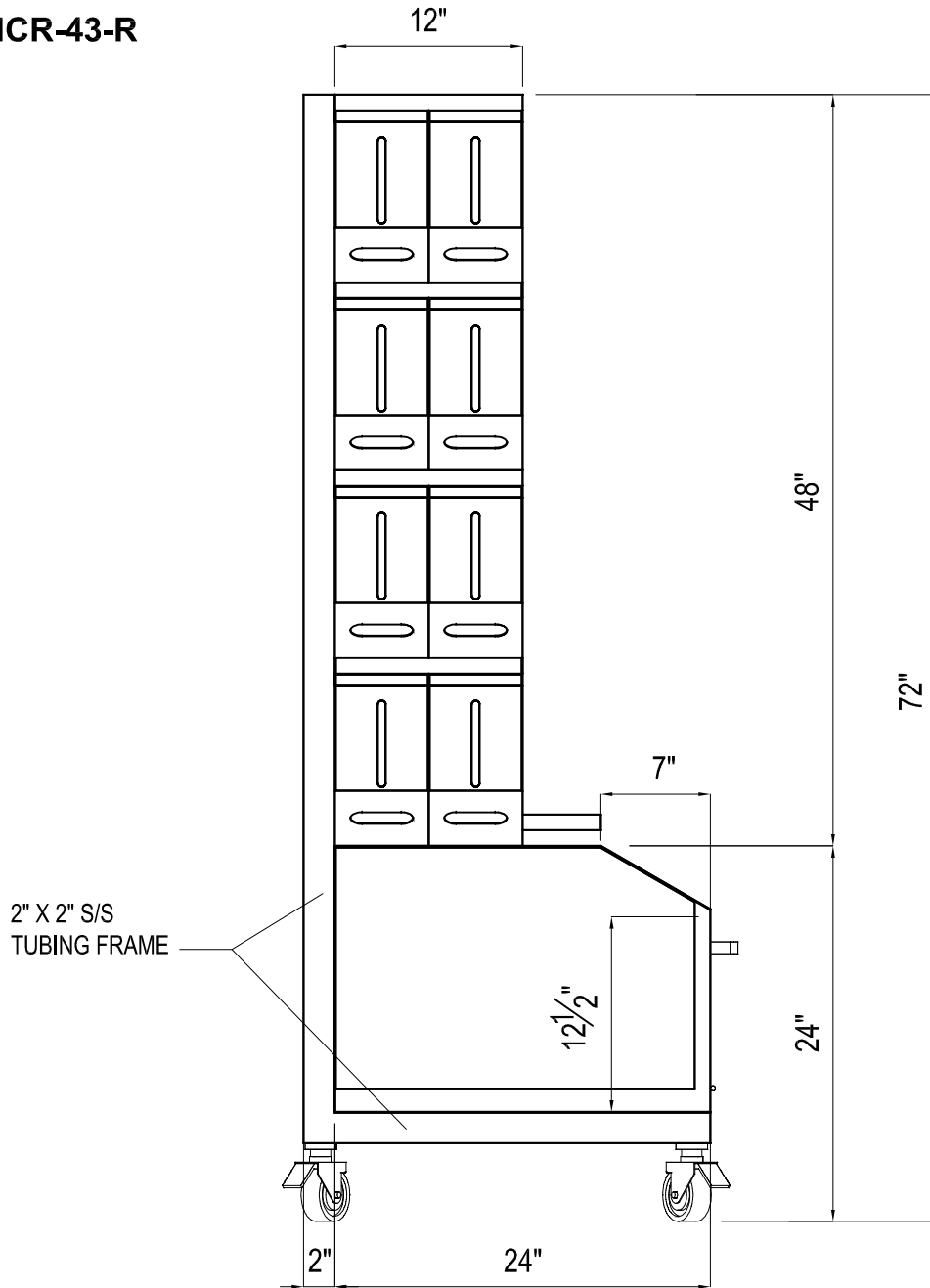
CONTRACTOR \_\_\_\_\_

ARCHITECT / ENGINEER \_\_\_\_\_

**16GA. S/S CONSTR. MOBILE CLEAN ROOM GOWNING STATION**

- ALL #4 FIN. T-304 S/S.
- 316 & 316 L AVAILABLE.

**MOD: MCR-43-R**



**LEFT SIDE VIEW**



MADE IN  
 THE U.S.A  
 CERTIFIED  
 TO ANSI

**USE FOR ARCHITECT / ENGINEER / CONTRACTOR APPROVAL**

JOB NAME \_\_\_\_\_ DATE \_\_\_\_\_

MODEL No. \_\_\_\_\_ QTY \_\_\_\_\_

CUSTOMER \_\_\_\_\_

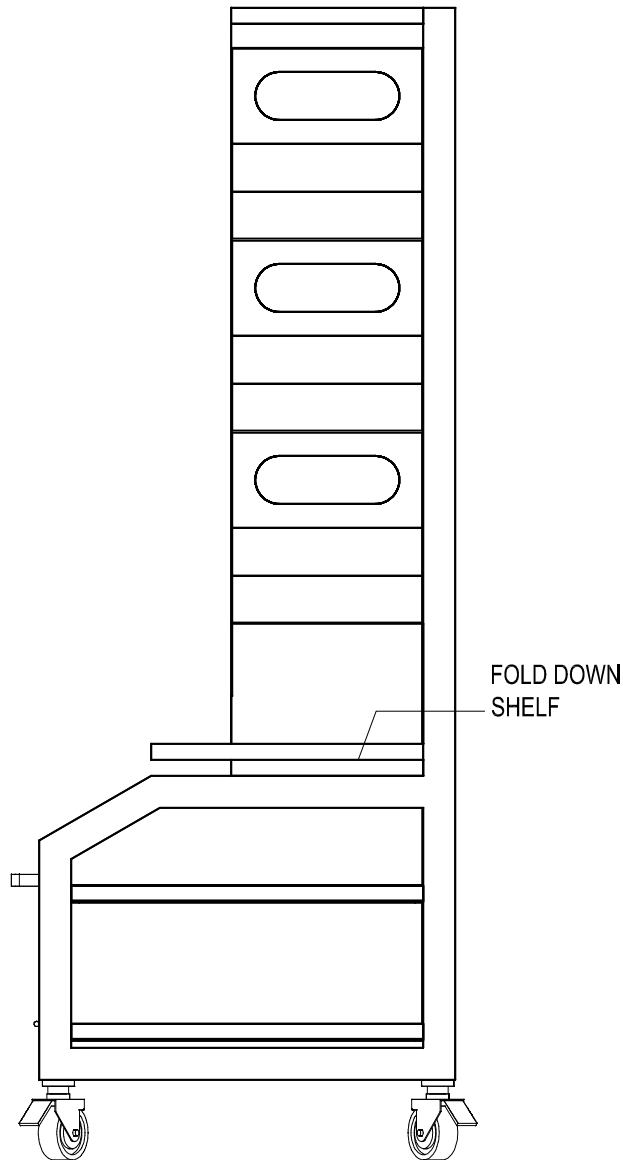
CONTRACTOR \_\_\_\_\_

ARCHITECT / ENGINEER \_\_\_\_\_

**16GA. S/S CONSTR. MOBILE CLEAN ROOM GOWNING STATION**

- ALL #4 FIN. T-304 S/S.
- 316 & 316 L AVAILABLE.

**MOD: MCR-43-R**



**RIGHT SIDE VIEW**



MADE IN  
 THE U.S.A  
 CERTIFIED  
 TO ANSI

**USE FOR ARCHITECT / ENGINEER / CONTRACTOR APPROVAL**

JOB NAME \_\_\_\_\_ DATE \_\_\_\_\_

MODEL No. \_\_\_\_\_ QTY \_\_\_\_\_

CUSTOMER \_\_\_\_\_

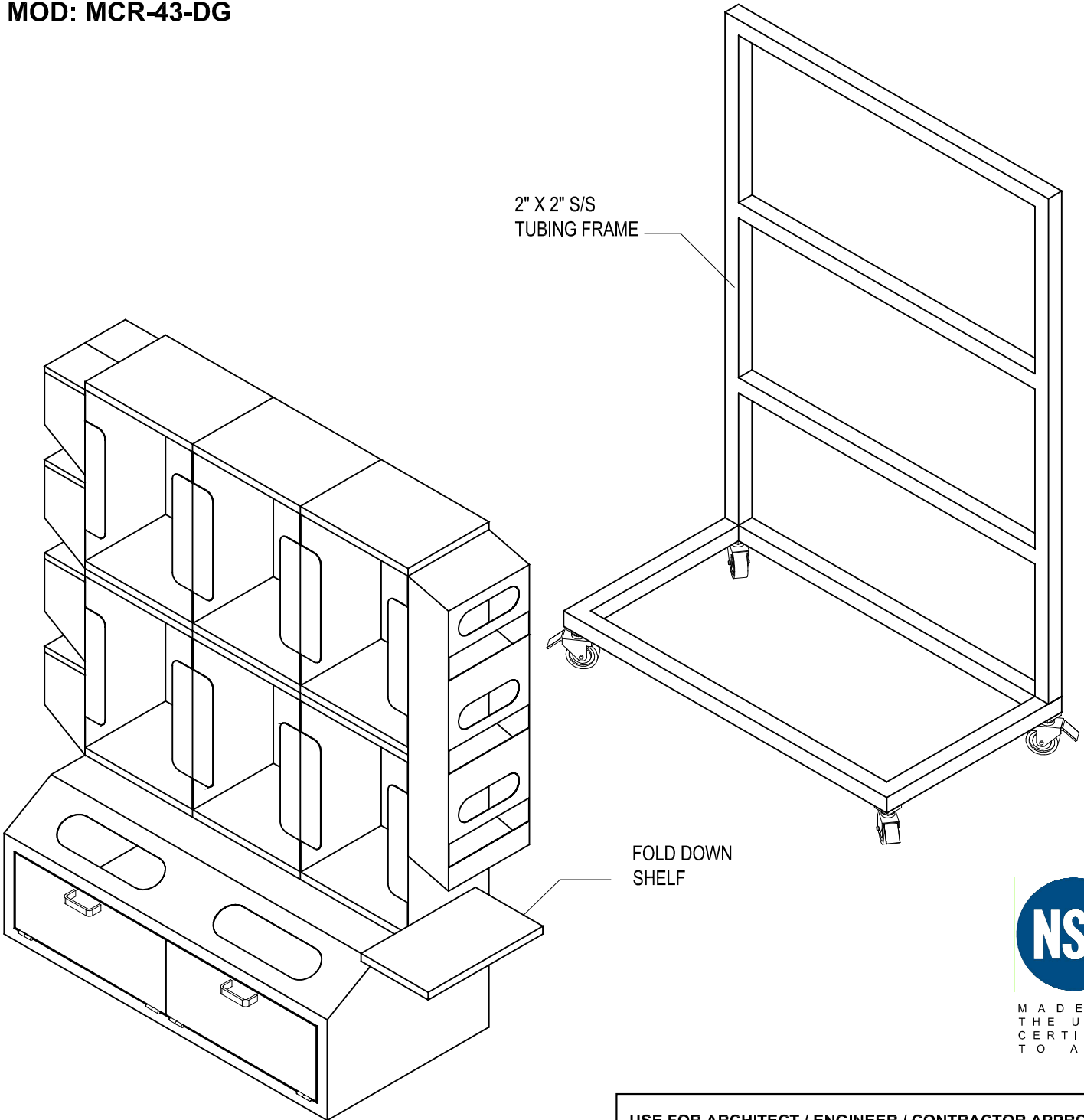
CONTRACTOR \_\_\_\_\_

ARCHITECT / ENGINEER \_\_\_\_\_

**16GA. S/S CONSTR. MOBILE CLEAN ROOM GOWNING STATION**

- ALL #4 FIN. T-304 S/S.
- 316 & 316 L AVAILABLE.

**MOD: MCR-43-DG**



MADE IN  
 THE U.S.A  
 CERTIFIED  
 TO ANSI

**USE FOR ARCHITECT / ENGINEER / CONTRACTOR APPROVAL**

JOB NAME \_\_\_\_\_ DATE \_\_\_\_\_

MODEL No. \_\_\_\_\_ QTY \_\_\_\_\_

CUSTOMER \_\_\_\_\_

CONTRACTOR \_\_\_\_\_

ARCHITECT / ENGINEER \_\_\_\_\_



**16GA. S/S CONSTR. MOBILE CLEAN ROOM GOWNING STATION**

- ALL #4 FIN. T-304 S/S.
- 316 & 316 L AVAILABLE.



MADE IN  
 THE U.S.A  
 CERTIFIED  
 TO ANSI

**USE FOR ARCHITECT / ENGINEER / CONTRACTOR APPROVAL**

JOB NAME \_\_\_\_\_ DATE \_\_\_\_\_

MODEL No. \_\_\_\_\_ QTY \_\_\_\_\_

CUSTOMER \_\_\_\_\_

CONTRACTOR \_\_\_\_\_

ARCHITECT / ENGINEER \_\_\_\_\_