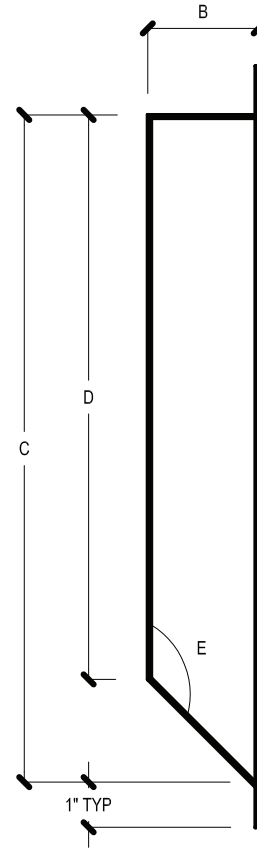
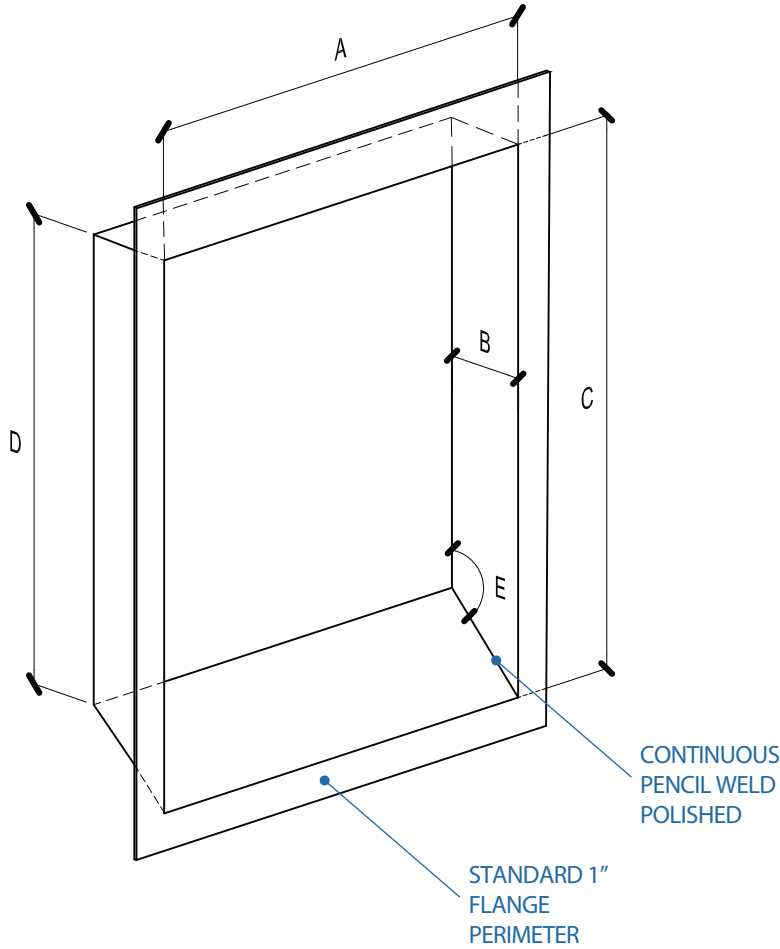


FLUSH MOUNT OPEN VALVE BOX WITH FLANGE



T-304 N.S.F.
CONSTRUCTION



OPTIONS

T-304 STAINLESS #4 FINISH

T-316 STAINLESS #4 FINISH

IF CUT-OUTS REQUIRED, PLEASE
SUBMIT DIMENSIONAL INFORMATION

DIMENSIONAL SUBMITTAL			
A _____	A _____	A _____	A _____
B _____	B _____	B _____	B _____
C _____	C _____	C _____	C _____
D/E _____	D/E _____	D/E _____	D/E _____
QNTY ____	QNTY ____	QNTY ____	QNTY ____



USE FOR ARCHITECT / ENGINEER / CONTRACTOR APPROVAL

Job name _____

Date _____ QTY _____ Contractor _____

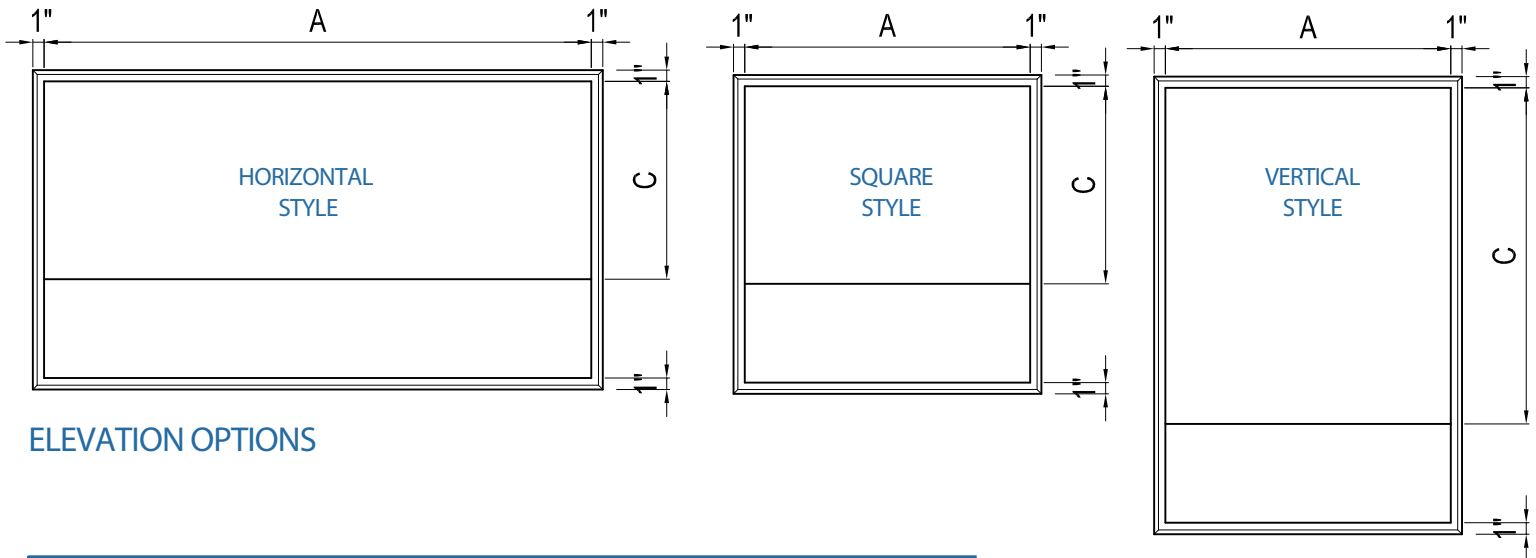
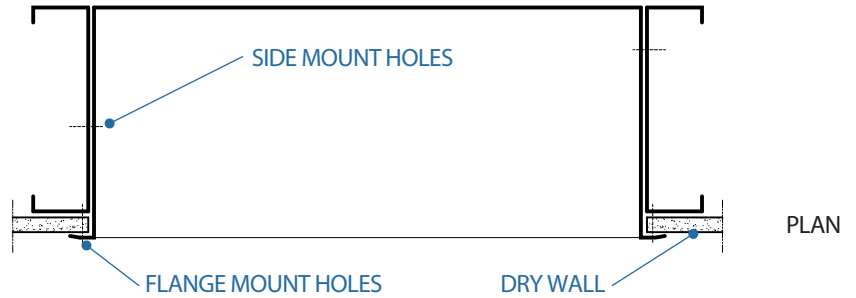
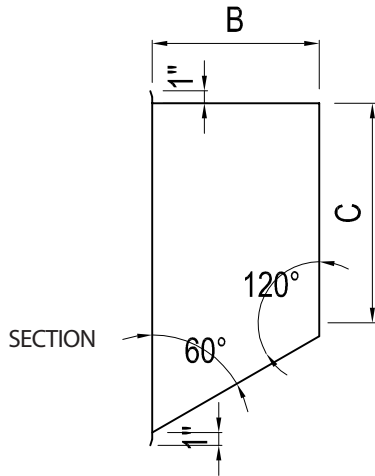
Model No. _____ Customer _____ Architect/Engineer _____



Performance Through Stainless!

S/S RECESSED CLEAN ROOM VALVE BOXES

16 GA. STAINLESS STEEL HEAVY DUTY CONSTRUCTION



ELEVATION OPTIONS

SPECIFICATIONS

- 14 GAUGE TYPE 304 (STANDARD) T-316 AVAILABLE UPON REQUEST
- ALL INTERIOR WELDS GRIND SMOOTH AND POLISHED SMOOTH TO #4 SATIN FINISH
- STANDARD 1" PERIMETER FLANGE WELDED AND POLISHED SMOOTH #4 FINISH
- STANDARD DEPTHS ARE 4" AND 6", CUSTOM DEPTH AVAILABLE UPON REQUEST
- FLANGES MAY HAVE HOLES PUNCHED AND COUNTER SUNK OR STUDDED
- OPTIONAL REMOVABLE PANBEL SOLID STAINLESS OR POLY CARBONATE

USE FOR ARCHITECT / ENGINEER / CONTRACTOR APPROVAL

Job name _____

Date _____ QTY _____ Contractor _____

Model No. _____ Customer _____ Architect/Engineer _____



Performance Through Stainless!