
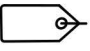
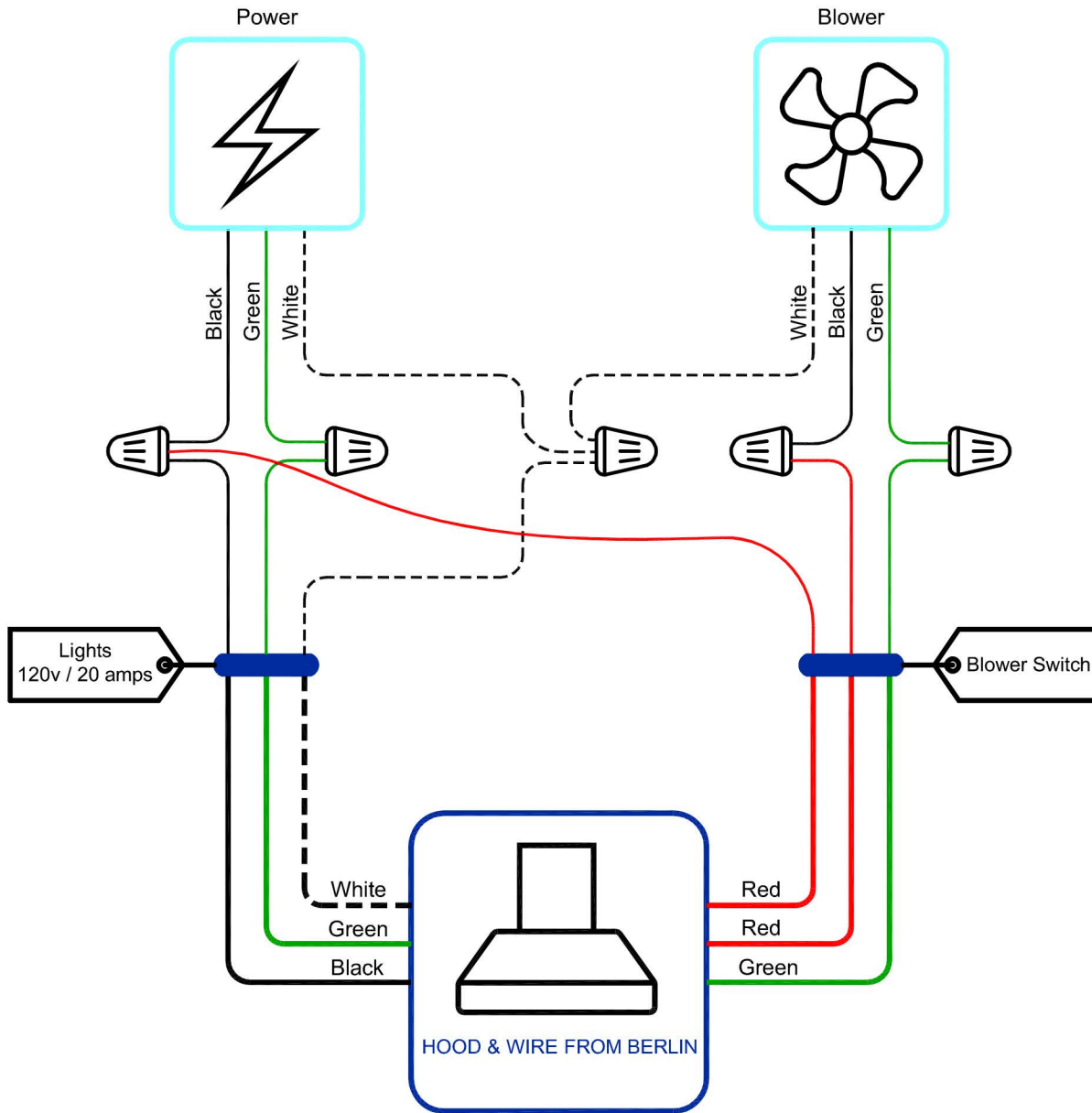


ELECTRICAL DIAGRAM

HOOD WITH EXTERNAL BLOWER

CONNECTIONS 

TAGS 



USE FOR ARCHITECT / ENGINEER / CONTRACTOR APPROVAL

Job name _____

Date _____ QTY _____ Contractor _____

Model No. _____ Customer _____ Architect/Engineer _____



Performance Through Stainless!