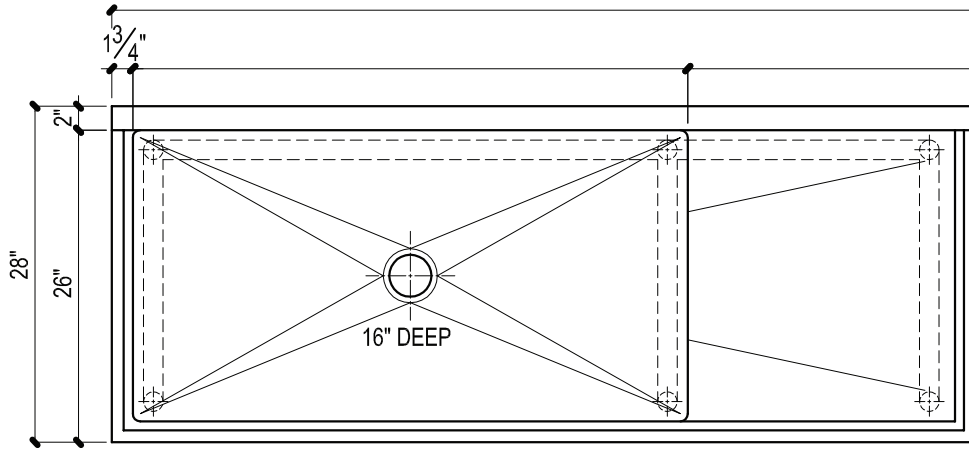


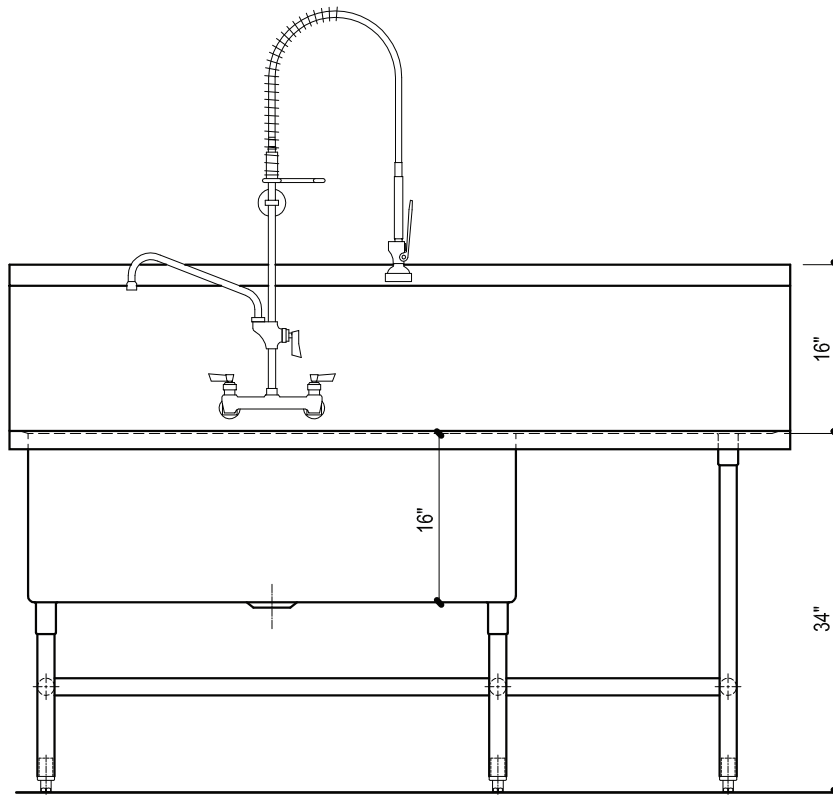
SCULLERY SINK

T-304 N.S.F.
CONSTRUCTION



PLAN VIEW

SCALE: 3/4"=1'-0"



FRONT ELEVATION

SCALE: 3/4"=1'-0"

OPTIONS

- LEFT DRAINBOARD
- RIGHT DRAINBOARD

USE FOR ARCHITECT / ENGINEER / CONTRACTOR APPROVAL

Job name _____

Date _____ QTY _____ Contractor _____

Model No. _____ Customer _____ Architect/Engineer _____



Performance Through Stainless!

43 South Linden Ave South San Francisco CA 94080 Ph (650) 589-4231 Fax (650) 589-3981 www.berlinusa.com