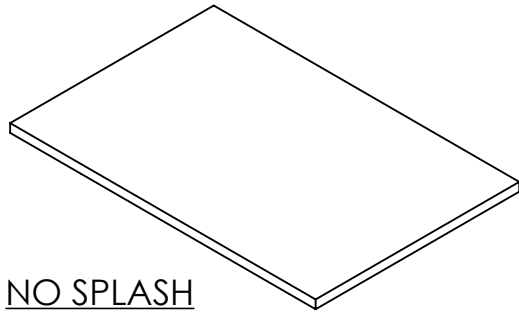
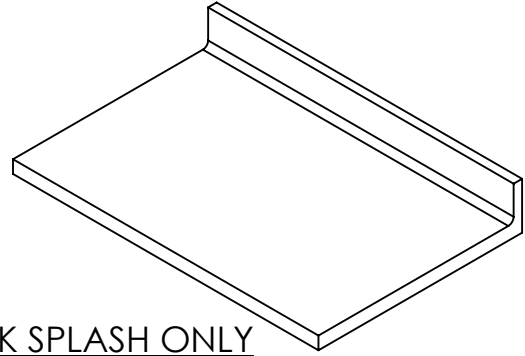


# SS COUNTERTOPS

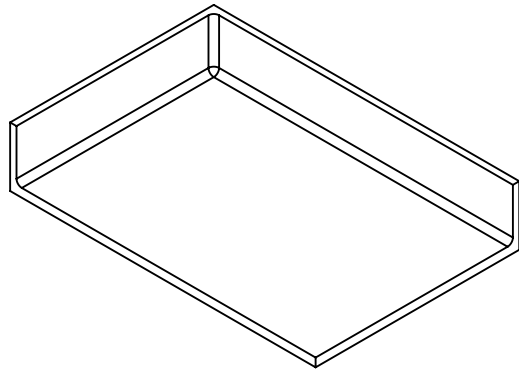
Stainless Steel Countertops



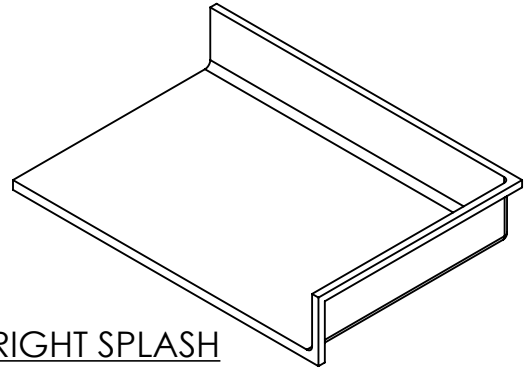
NO SPLASH



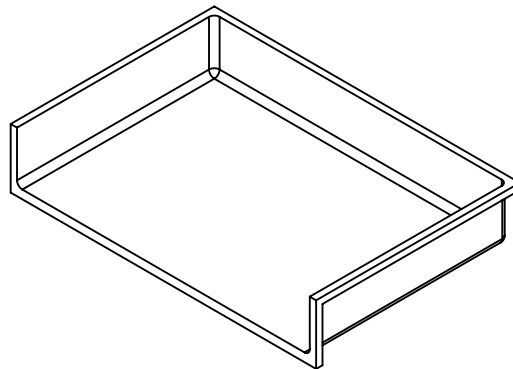
BACK SPLASH ONLY



BACK & LEFT SPLASH



BACK & RIGHT SPLASH



BACK, LEFT, & RIGHT SPLASH

USE FOR ARCHITECT / ENGINEER / CONTRACTOR APPROVAL

JOB NAME \_\_\_\_\_ DATE \_\_\_\_\_

MODEL No. \_\_\_\_\_ QTY \_\_\_\_\_

CUSTOMER \_\_\_\_\_

CONTRACTOR \_\_\_\_\_

ARCHITECT / ENGINEER \_\_\_\_\_

OPTIONAL MATERIAL SPECIFICATIONS

MATERIAL \_\_\_\_\_

FINISH \_\_\_\_\_

NOTES \_\_\_\_\_

\_\_\_\_\_

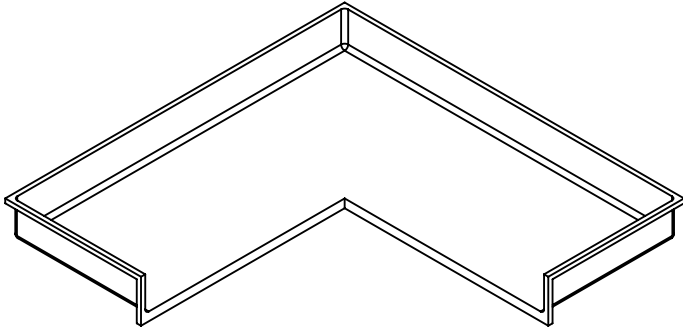


NSF Certified  
Code/Standard  
Compliance  
ASME 112.19.3.00

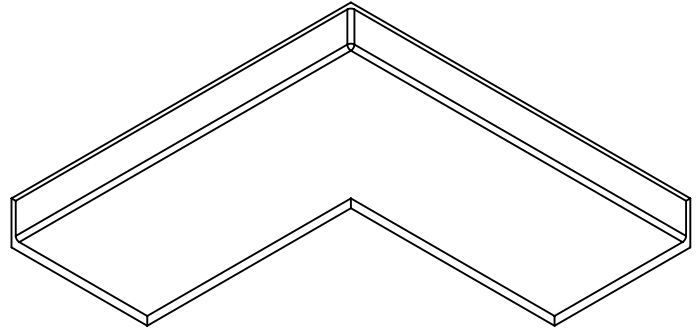
Performance Through Stainless!

# SS COUNTERTOPS

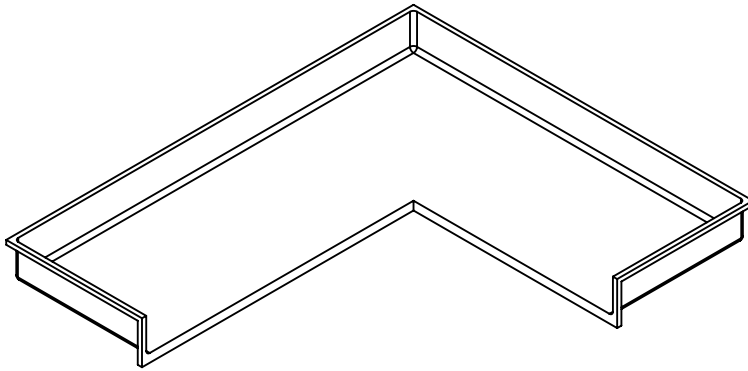
Stainless Steel Countertops



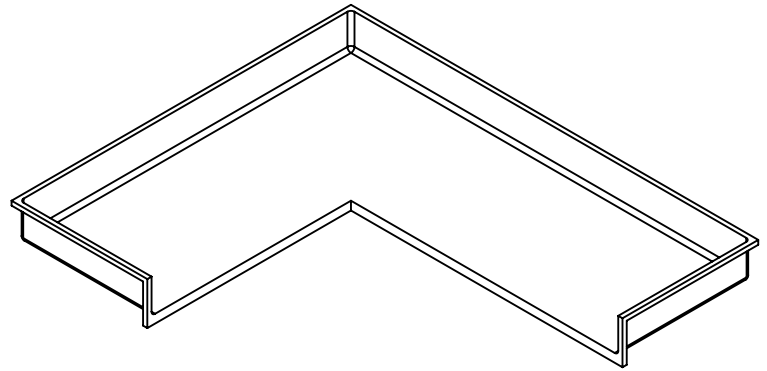
INSIDE CORNER FULL SPLASH



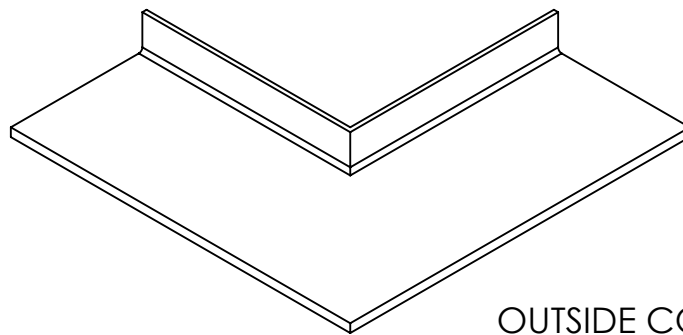
INSIDE CORNER BACK SPLASH ONLY



INSIDE CORNER FULL SPLASH LONG LEFT LEG



INSIDE CORNER FULL SPLASH LONG RIGHT LEG



OUTSIDE CORNER BACK SPLASH ONLY

USE FOR ARCHITECT / ENGINEER / CONTRACTOR APPROVAL

JOB NAME \_\_\_\_\_ DATE \_\_\_\_\_  
 MODEL No. \_\_\_\_\_ QTY \_\_\_\_\_  
 CUSTOMER \_\_\_\_\_  
 CONTRACTOR \_\_\_\_\_  
 ARCHITECT / ENGINEER \_\_\_\_\_

OPTIONAL MATERIAL SPECIFICATIONS

MATERIAL \_\_\_\_\_  
 FINISH \_\_\_\_\_  
 NOTES \_\_\_\_\_  
 \_\_\_\_\_



**NSF Certified**  
 Code/Standard  
 Compliance  
 ASME 112.19.3.00

Performance Through Stainless!

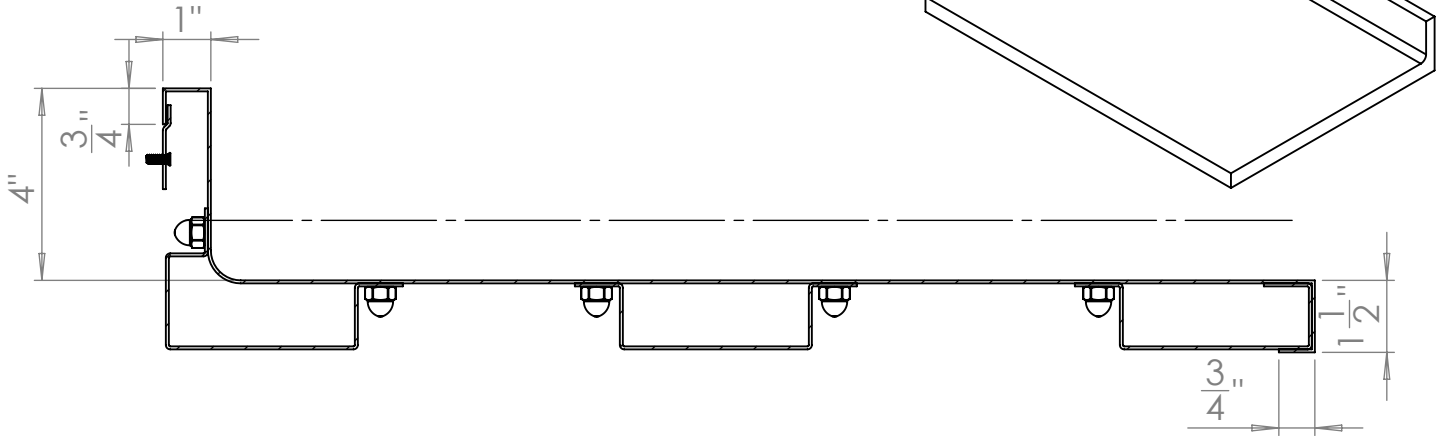
# SS COUNTERTOPS

Stainless Steel Countertops

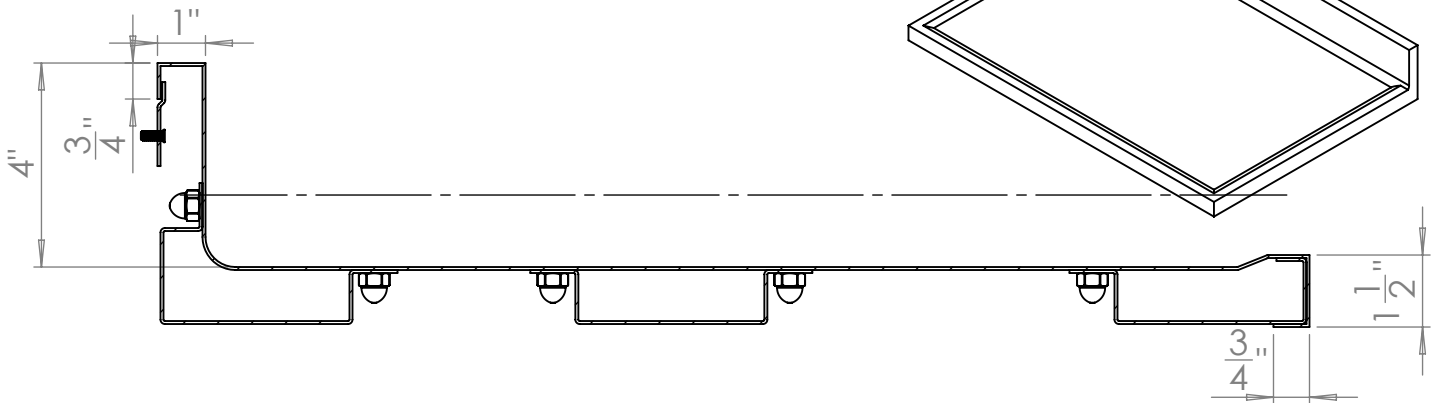
CUSTOM SIZES & SHAPES AVAILABLE!



## STANDARD STAINLESS STEEL LAB TOP 4" SPLASH STAINLESS STEEL PERIMETER & CENTER CHANNELING



## MARINE EDGE STAINLESS STEEL LAB TOP 4" SPLASH STAINLESS STEEL PERIMETER & CENTER CHANNELING



### SPECIFICATIONS

EXPRESS SHIPPING AVAILABLE WITHIN THE US

- CUSTOM SIZES AVAILABLE
- FITS MOST STANDARD LAB CASE WORK

TOPS ARE CONSTRUCTED WITH 16 GAUGE, T-304 STAINLESS STEEL WITH A #4 FINISH. CHANNELING IS CONSTRUCTED OF 18 GAUGE, T-304 STAINLESS STEEL, SOUND DEADENING INCLUDED.

USE FOR ARCHITECT / ENGINEER / CONTRACTOR APPROVAL

JOB NAME \_\_\_\_\_ DATE \_\_\_\_\_

MODEL No. \_\_\_\_\_ QTY \_\_\_\_\_

CUSTOMER \_\_\_\_\_

CONTRACTOR \_\_\_\_\_

ARCHITECT / ENGINEER \_\_\_\_\_

OPTIONAL MATERIAL SPECIFICATIONS

MATERIAL \_\_\_\_\_

FINISH \_\_\_\_\_

NOTES \_\_\_\_\_

\_\_\_\_\_



NSF Certified  
Code/Standard  
Compliance  
ASME 112.19.3.00

Performance Through Stainless!

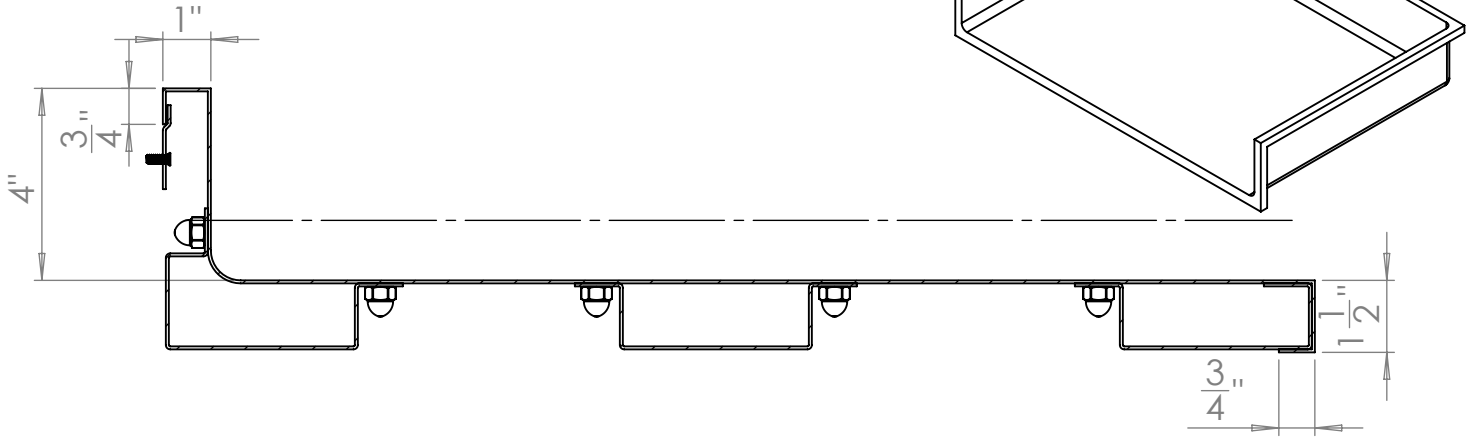
# SS COUNTERTOPS

Stainless Steel Countertops

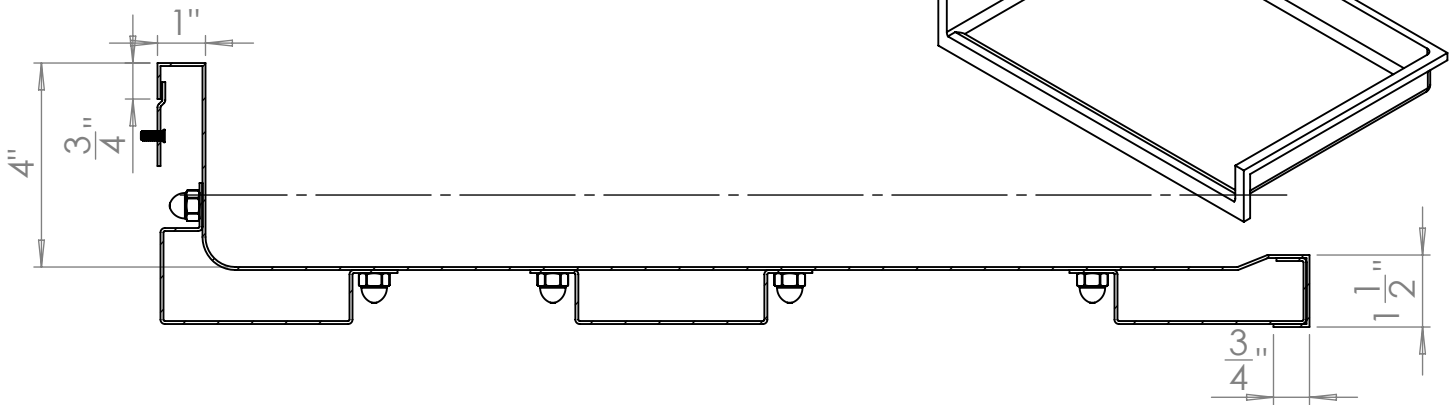
CUSTOM SIZES & SHAPES AVAILABLE!



## STANDARD STAINLESS STEEL LAB TOP 4" SPLASH STAINLESS STEEL PERIMETER & CENTER CHANNELING



## MARINE EDGE STAINLESS STEEL LAB TOP 4" SPLASH STAINLESS STEEL PERIMETER & CENTER CHANNELING



### SPECIFICATIONS

EXPRESS SHIPPING AVAILABLE WITHIN THE US

- CUSTOM SIZES AVAILABLE
- FITS MOST STANDARD LAB CASE WORK

TOPS ARE CONSTRUCTED WITH 16 GAUGE, T-304 STAINLESS STEEL WITH A #4 FINISH. CHANNELING IS CONSTRUCTED OF 18 GAUGE, T-304 STAINLESS STEEL, SOUND DEADENING INCLUDED.

USE FOR ARCHITECT / ENGINEER / CONTRACTOR APPROVAL

JOB NAME \_\_\_\_\_ DATE \_\_\_\_\_  
 MODEL No. \_\_\_\_\_ QTY \_\_\_\_\_  
 CUSTOMER \_\_\_\_\_  
 CONTRACTOR \_\_\_\_\_  
 ARCHITECT / ENGINEER \_\_\_\_\_

OPTIONAL MATERIAL SPECIFICATIONS

MATERIAL \_\_\_\_\_  
 FINISH \_\_\_\_\_  
 NOTES \_\_\_\_\_  
 \_\_\_\_\_



NSF Certified  
Code/Standard  
Compliance  
ASME 112.19.3.00

Performance Through Stainless!

# SS COUNTERTOPS

Stainless Steel Countertops

CUSTOM SIZES &  
SHAPES AVAILABLE!



OA DEPTH	OA HEIGHT
24"	30"
24"	36"
24"	42"
24"	48"
24"	60"
24"	72"
24"	84"
24"	96"
24"	108"

OA DEPTH	OA HEIGHT
30"	30"
30"	36"
30"	42"
30"	48"
30"	60"
30"	72"
30"	84"
30"	96"
30"	108"

EXPRESS SHIPPING AVAILABLE WITHIN THE US

- CUSTOM SIZES AVAILABLE
- FITS MOST STANDARD LAB CASE WORK

## SPECIFICATIONS

TOPS ARE CONSTRUCTED WITH 16 GAUGE, T-304 STAINLESS STEEL WITH A #4 FINISH. CHANNELING IS CONSTRUCTED OF 18 GAUGE, T-304 STAINLESS STEEL, SOUND DEADENING INCLUDED.

USE FOR ARCHITECT / ENGINEER / CONTRACTOR APPROVAL

JOB NAME \_\_\_\_\_ DATE \_\_\_\_\_  
 MODEL No. \_\_\_\_\_ QTY \_\_\_\_\_  
 CUSTOMER \_\_\_\_\_  
 CONTRACTOR \_\_\_\_\_  
 ARCHITECT / ENGINEER \_\_\_\_\_

OPTIONAL MATERIAL SPECIFICATIONS

MATERIAL \_\_\_\_\_  
 FINISH \_\_\_\_\_  
 NOTES \_\_\_\_\_  
 \_\_\_\_\_



NSF Certified  
Code/Standard  
Compliance  
ASME 112.19.3.00

Performance Through Stainless!

# SS COUNTERTOPS

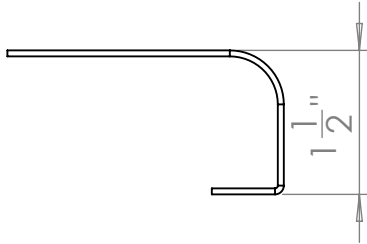
Stainless Steel Countertops



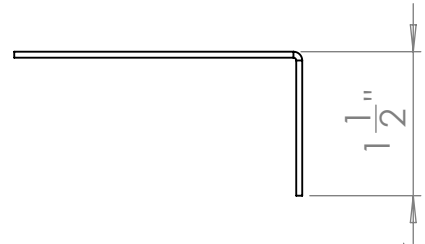
## BULL NOSE

## 90° TURN DOWN

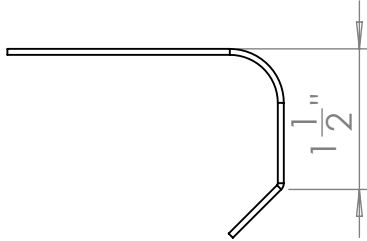
A



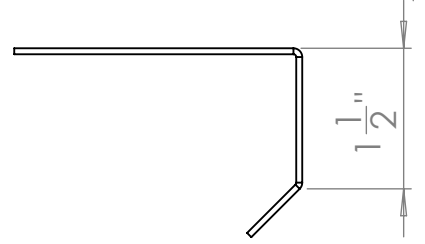
F



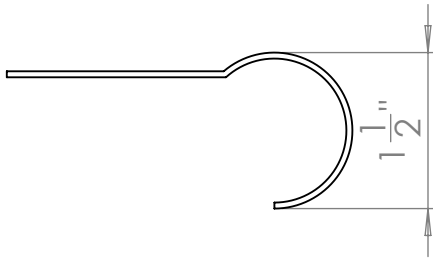
B



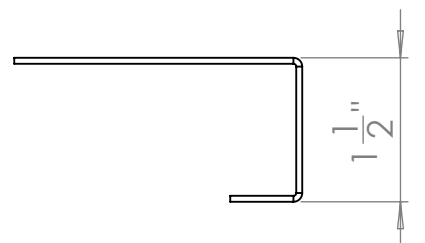
G



C

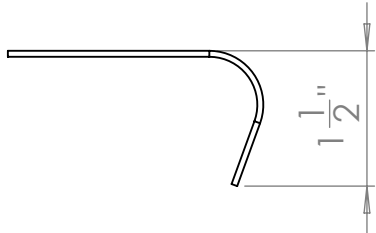


H

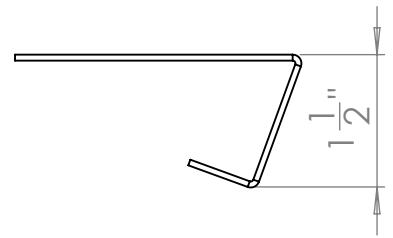


## 70° TURN DOWN

D

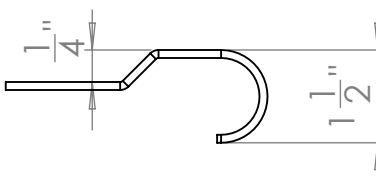


I

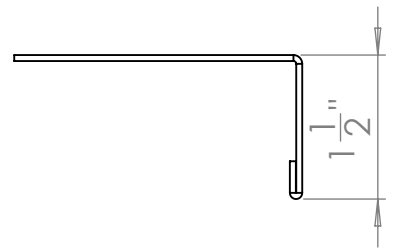


## HEMMED

E



J



USE FOR ARCHITECT / ENGINEER / CONTRACTOR APPROVAL

JOB NAME \_\_\_\_\_ DATE \_\_\_\_\_  
 MODEL No. \_\_\_\_\_ QTY \_\_\_\_\_  
 CUSTOMER \_\_\_\_\_  
 CONTRACTOR \_\_\_\_\_  
 ARCHITECT / ENGINEER \_\_\_\_\_

OPTIONAL MATERIAL SPECIFICATIONS

MATERIAL \_\_\_\_\_  
 FINISH \_\_\_\_\_  
 NOTES \_\_\_\_\_  
 \_\_\_\_\_



**NSF Certified**  
 Code/Standard  
 Compliance  
 ASME 112.19.3.00

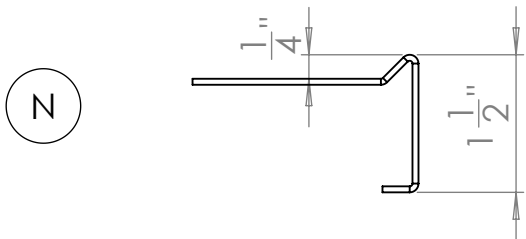
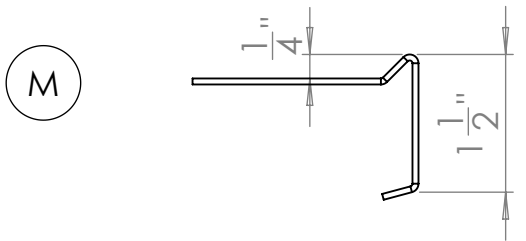
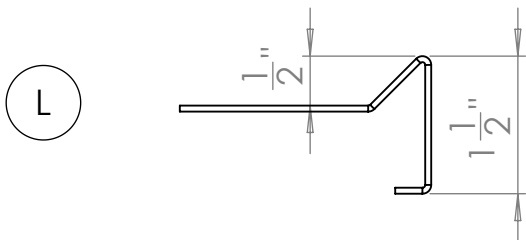
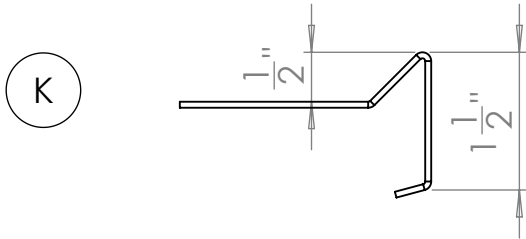
Performance Through Stainless!

# SS COUNTERTOPS

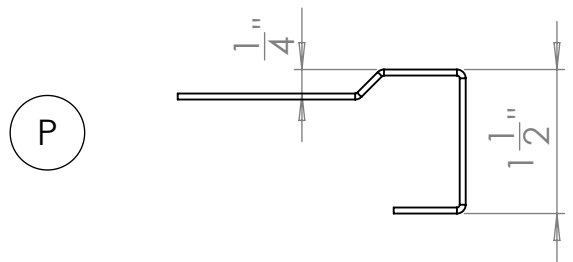
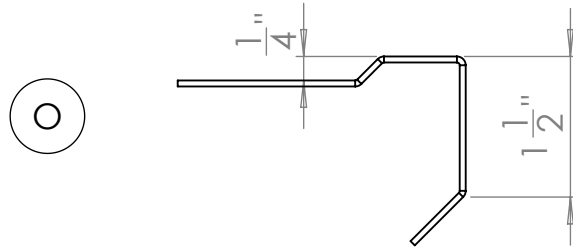
Stainless Steel Countertops



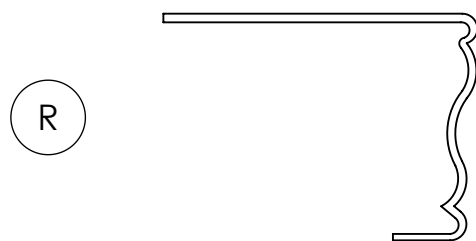
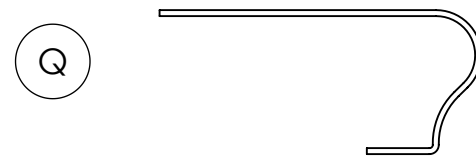
## HIPPED EDGE



## MARINE EDGE



## CUSTOM



USE FOR ARCHITECT / ENGINEER / CONTRACTOR APPROVAL

JOB NAME \_\_\_\_\_ DATE \_\_\_\_\_

MODEL No. \_\_\_\_\_ QTY \_\_\_\_\_

CUSTOMER \_\_\_\_\_

CONTRACTOR \_\_\_\_\_

ARCHITECT / ENGINEER \_\_\_\_\_

OPTIONAL MATERIAL SPECIFICATIONS

MATERIAL \_\_\_\_\_

FINISH \_\_\_\_\_

NOTES \_\_\_\_\_

\_\_\_\_\_



NSF Certified  
Code/Standard  
Compliance  
ASME 112.19.3.00

Performance Through Stainless!

# SS COUNTERTOPS

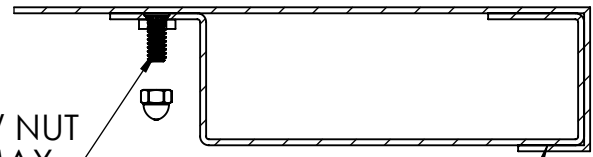
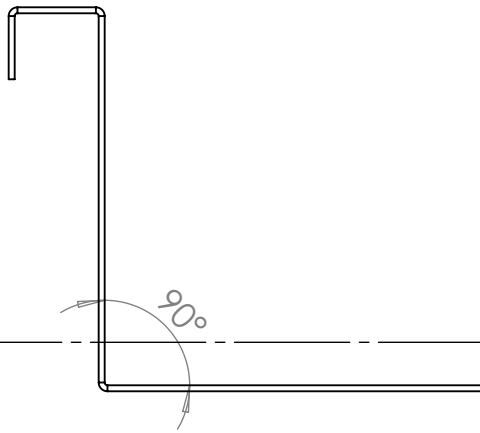
Stainless Steel Countertops



## SPLASH DETAILS

## CLEAN ROOM CONSTRUCTION

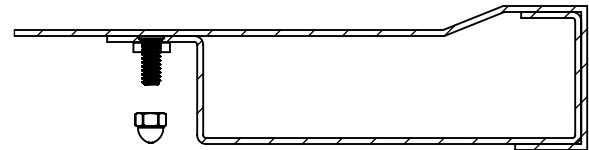
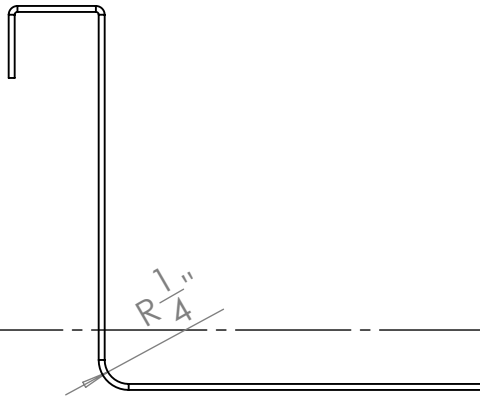
S



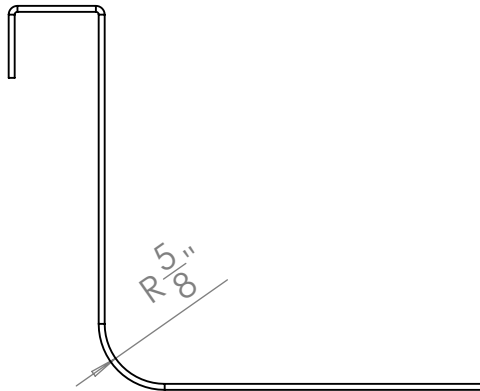
STUD W/ NUT  
8" OC MAX

TACK WELD 12" OC MAX

T



U



USE FOR ARCHITECT / ENGINEER / CONTRACTOR APPROVAL

JOB NAME \_\_\_\_\_ DATE \_\_\_\_\_  
MODEL No. \_\_\_\_\_ QTY \_\_\_\_\_  
CUSTOMER \_\_\_\_\_  
CONTRACTOR \_\_\_\_\_  
ARCHITECT / ENGINEER \_\_\_\_\_

OPTIONAL MATERIAL SPECIFICATIONS

MATERIAL \_\_\_\_\_  
FINISH \_\_\_\_\_  
NOTES \_\_\_\_\_  
\_\_\_\_\_

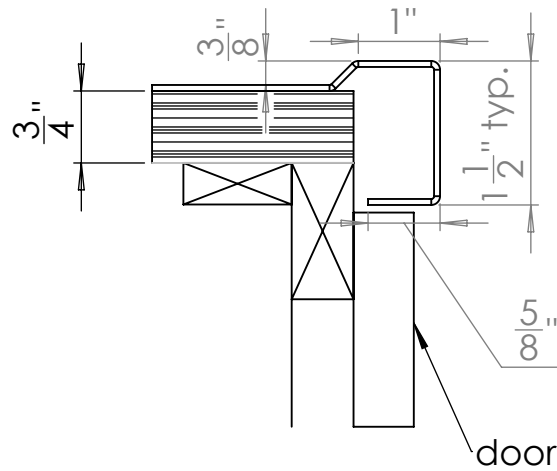
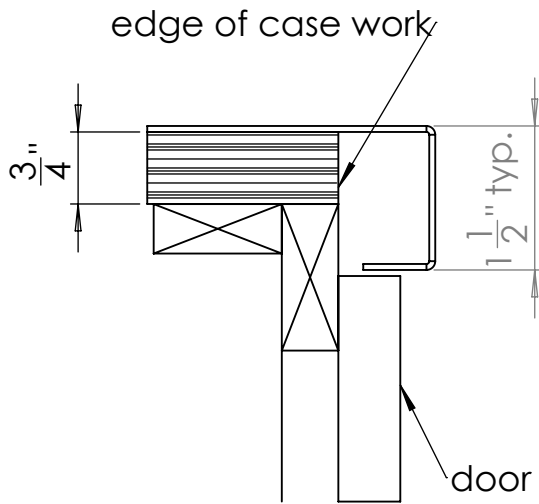
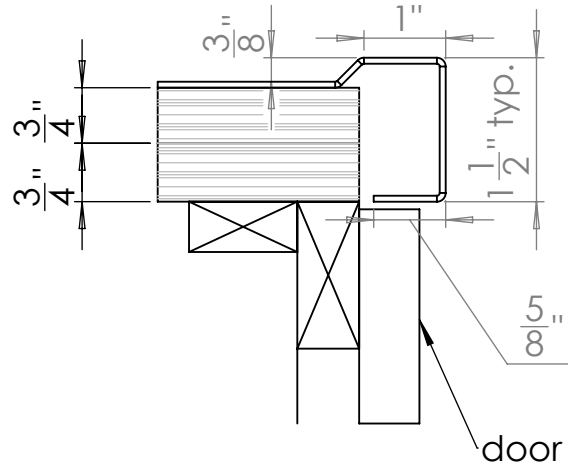
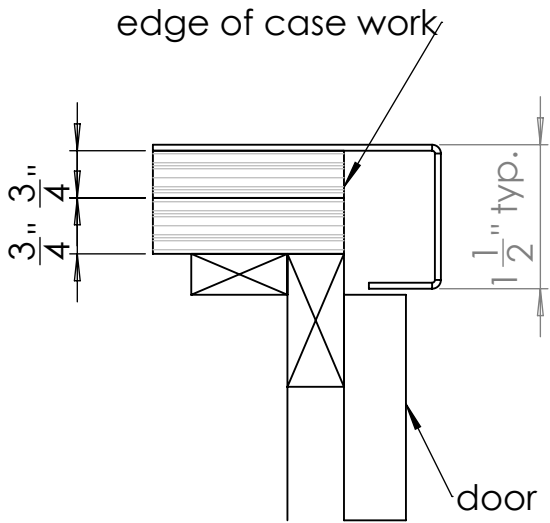


NSF Certified  
Code/Standard  
Compliance  
ASME 112.19.3.00

Performance Through Stainless!

# SS COUNTERTOPS

Stainless Steel Countertops



## EXAMPLE TOPS WITH SUBTOP

USE FOR ARCHITECT / ENGINEER / CONTRACTOR APPROVAL

JOB NAME \_\_\_\_\_ DATE \_\_\_\_\_

MODEL No. \_\_\_\_\_ QTY \_\_\_\_\_

CUSTOMER \_\_\_\_\_

CONTRACTOR \_\_\_\_\_

ARCHITECT / ENGINEER \_\_\_\_\_

OPTIONAL MATERIAL SPECIFICATIONS

MATERIAL \_\_\_\_\_

FINISH \_\_\_\_\_

NOTES \_\_\_\_\_

\_\_\_\_\_



**NSF Certified**  
 Code/Standard  
 Compliance  
 ASME 112.19.3.00

Performance Through Stainless!