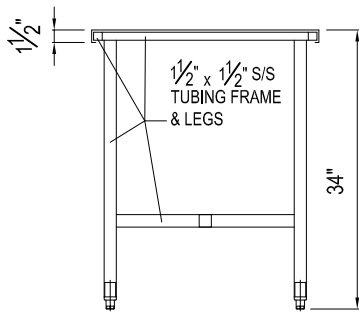
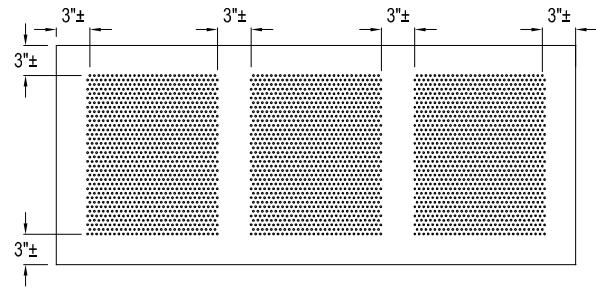
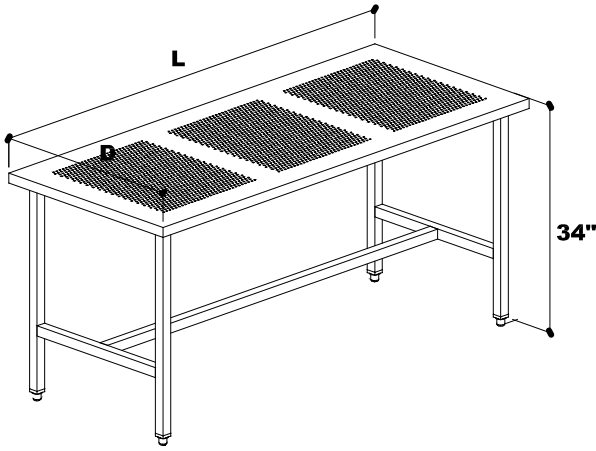


# PERFORATED LIFE SCIENCE WORKTABLES

ADVANCED SERIES | HIGH GRADE 14GA. T-304 STAINLESS STEEL

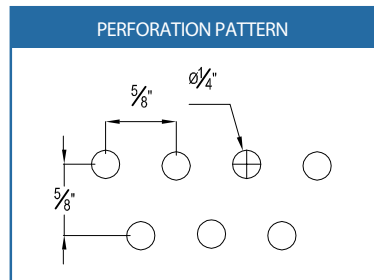
T-304 N.S.F.  
CONSTRUCTION



MODEL NO.	NET WT. (LBS)
2WTSX - 24	45
2WTSX - 30	49
2WTSX - 36	53
3WTSX - 24	53
3WTSX - 30	60
3WTSX - 36	66
4WTSX - 24	61
4WTSX - 30	70
4WTSX - 36	78
5WTSX - 24	72
5WTSX - 30	82
5WTSX - 36	92
6WTSX - 24	83
6WTSX - 30	95
6WTSX - 36	106
7WTSX - 24	103
7WTSX - 30	117
7WTSX - 36	131
8WTSX - 24	114
8WTSX - 30	130
8WTSX - 36	146
9WTSX - 24	125
9WTSX - 30	133
9WTSX - 36	140
10WTSX - 24	135
10WTSX - 30	155
10WTSX - 36	175
11WTSX - 24	143
11WTSX - 30	164
11WTSX - 36	185
12WTSX - 24	150
12WTSX - 30	173
12WTSX - 36	195

OPTIONS	
\$32.00	<input type="checkbox"/> "TOP ONLY" ELECTRO POLISHED #32 (LN. FT.)
\$425.00	<input type="checkbox"/> GFI OUTLET WITH CORD REEL
\$85.00	<input type="checkbox"/> ADDITIONAL GFI OUTLETS
\$86.00	<input type="checkbox"/> 24" END SPLASH
\$96.00	<input type="checkbox"/> 30" END SPLASH
\$106.00	<input type="checkbox"/> 36" END SPLASH
\$380.99	<input type="checkbox"/> 4115-P 15" x 20" S/S DRAWER ASSEMBLY & PLASTIC CAN LINER
\$480.00	<input type="checkbox"/> 4115-S 15" x 20" S/S DRAWER ASSEMBLY & S/S CAN LINER
\$450.00	<input type="checkbox"/> AT-1717 WELDED IN 17" x 17" SINK 10" DEEP WITH BASKET DRAIN
\$212.00	<input type="checkbox"/> SET OF 4 S/S STEM CASTERS WITH BRAKES
\$216.00	<input type="checkbox"/> SET OF 6 S/S STEM CASTERS WITH BRAKES FOR TABLES OVER 6'-0" IN LENGTH
\$185.00	<input type="checkbox"/> POWDER COATED KEYBOARD TRAY 16" x 25" WITH WRIST PAD
\$15.00 EA.	<input type="checkbox"/> SEISMIC S/S FLANGED ADJUSTABLE FEET
ADD 30%	<input type="checkbox"/> FIXED UNDERSHELF

FEATURES
1-1/2" EASED EDGE ON ALL SIDES
ADDED "STAINLESS" CLEAN ROOM SUPPORT CHANNELING
SOLID WELDED CONSTRUCTION "NO ASSEMBLY REQUIRED"
FULLY TIG WELDED / POLISHED AND SEALED
ALL TOPS COME POLISHED WITH #4 SATIN FINISH
"NON EXPOSED" SOUND DEADENED TOP
SUPPORT GUSSETS FULLY WELDED TO CHANNELING



USE FOR ARCHITECT / ENGINEER / CONTRACTOR APPROVAL

Job name \_\_\_\_\_  
 Date \_\_\_\_\_ QTY \_\_\_\_\_ Contractor \_\_\_\_\_  
 Model No. \_\_\_\_\_ Customer \_\_\_\_\_ Architect/Engineer \_\_\_\_\_



Performance Through Stainless!