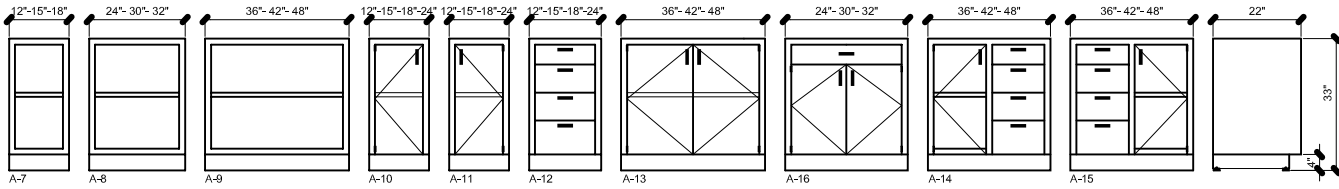
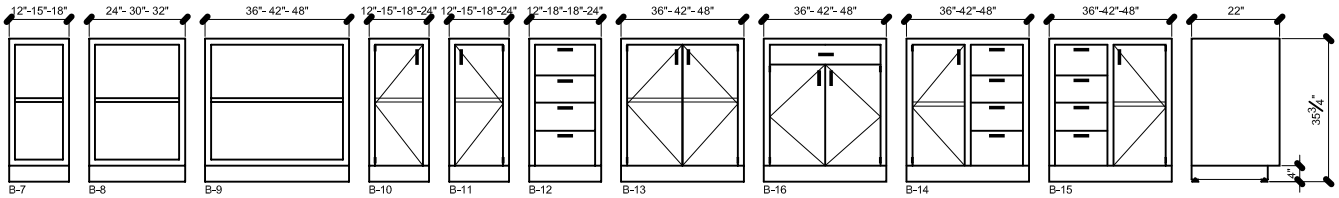


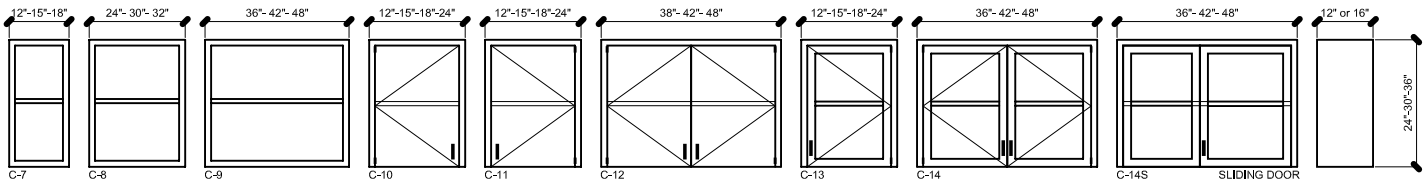
Stainless Steel ADA Height Casework & Cabinets



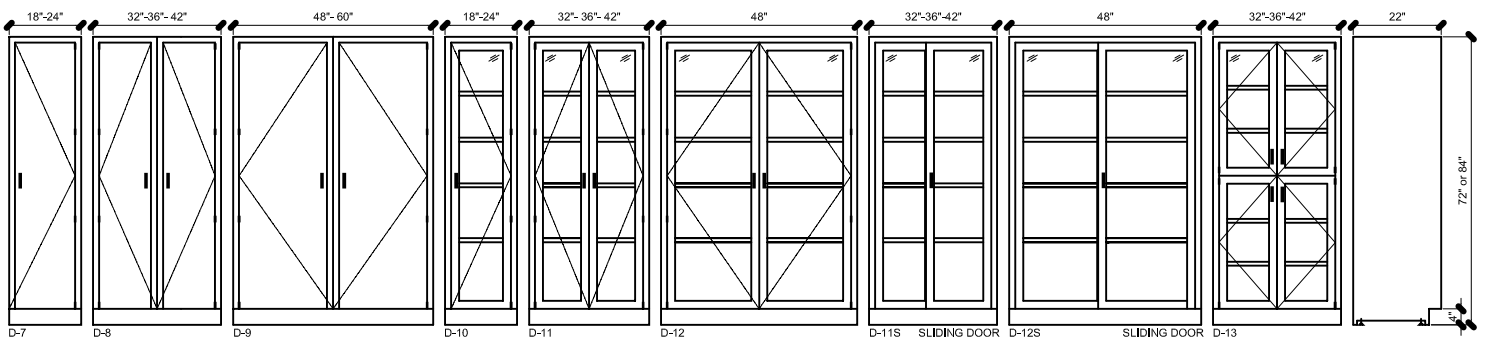
Stainless Steel Standing Height Casework & Cabinets - Open - Solid Door - Glass



Stainless Steel Wall Hung Casework & Cabinets - Open - Solid Door - Glass



Stainless Steel Full Height Casework & Cabinets



43 SOUTH LINDEN AVE.
SOUTH SAN FRANCISCO, CA 94080
PH (650) 589-4231 FAX (650) 589-3981
WWW.BERLINUSA.COM

STAINLESS STEEL CASEWORK



© 2016 ALL RIGHTS RESERVED.

This document/s contains material protected under International and Federal Copyright Laws and Treaties. Any unauthorized reprint or use of this material is prohibited. No part of this document may be reproduced or transmitted in any form or by any means, electronic or mechanical, including photocopying, recording, or by any information storage and retrieval system without express written permission from the Berlin Food & Lab Equipment Company. For permission contact (legal@berlinusa.com)

CABINETS

Standard cabinets are fabricated using prime quality furniture grade 304-4 stainless steel. All components are die formed, notched, keyed, and tightly fitted.

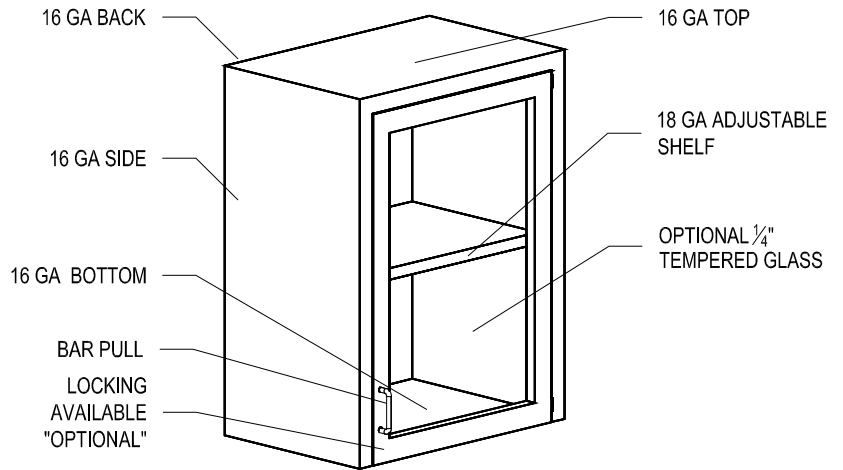
Stainless Steel Cabinet Gauges & Materials

Drawer Bodies, Drawer Liners	20 gauge 304-4 SS
Adjustable Shelves	18 gauge 304-4 SS
Tops, Bottoms, Backs, Doors, Channels	16 gauge 304-4 SS
Drawer Suspension, Hinge Plates	14 gauge 304-4 SS
Cabinet Leveler Support	11 gauge 304-4 SS
Five Knuckle Hinges with SS fasteners	14 gauge 304-4 SS
Door and Drawer Pulls	SS Bar Pull
Door Roller Catch	Magnetic/SS
3/8 Hex Head Leveler Bolts	Electro Plated
Drawer Roller Bearings	SS
Full Extension Drawer Glides	SS
Shelf Clips	SS
Sliding Glass Door's Shoes and Tracks	SS

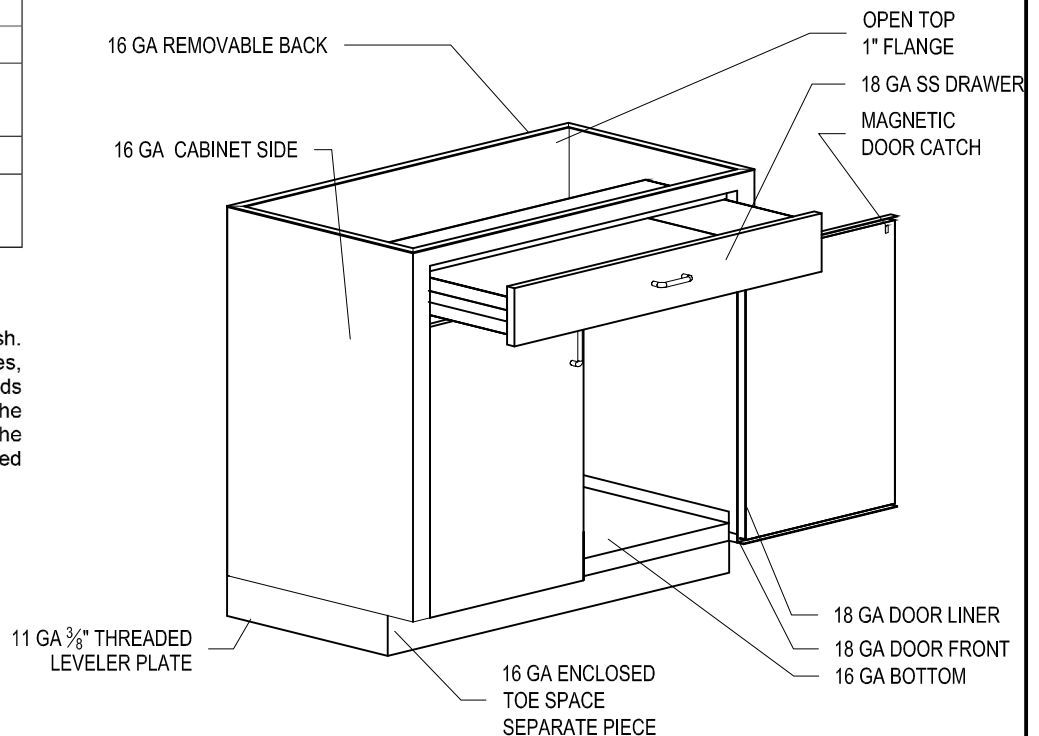
FINISH

All cabinet surfaces are finished to a satin brush. All weld marks on the cabinet front and sides, exterior and interior of the drawer / door heads have the color removed. All welds including the rear and interior of the cabinet, and outside of the drawer housings are left natural. Any exposed welds are ground and polished smooth.

WALL CABINET DETAIL



BASE CABINET DETAIL



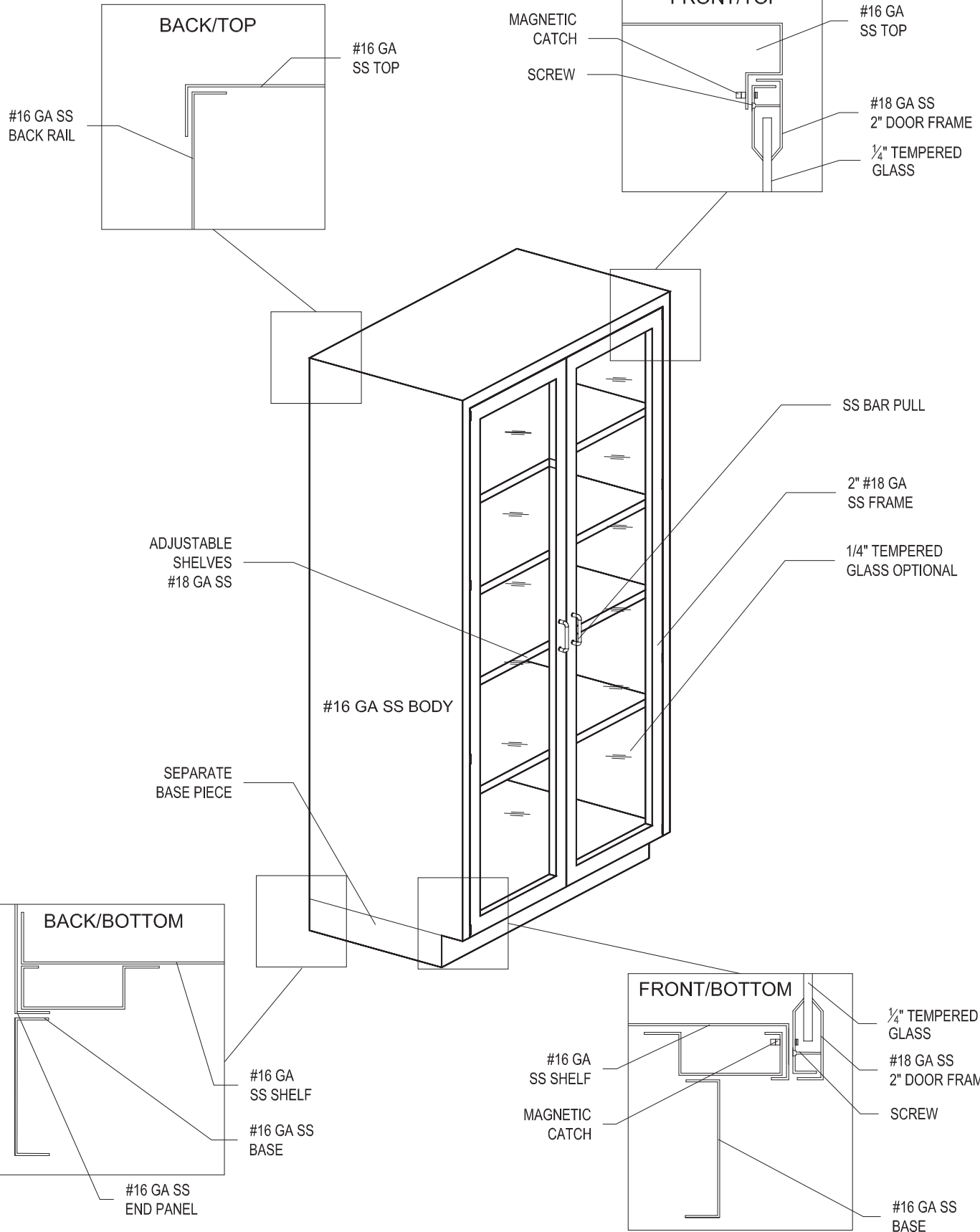
43 SOUTH LINDEN AVE.
SOUTH SAN FRANCISCO, CA 94080
PH (650) 589-4231 FAX (650) 589-3981
WWW.BERLINUSA.COM

CONSTRUCTIONS DETAILS AND SPECIFICATIONS STAINLESS STEEL CASE WORK



© 2016 ALL RIGHTS RESERVED.

This document/s contains material protected under International and Federal Copyright Laws and Treaties. Any unauthorized reprint or use of this material is prohibited. No part of this document may be reproduced or transmitted in any form or by any means, electronic or mechanical, including photocopying, recording, or by any information storage and retrieval system without express written permission from the Berlin Food & Lab Equipment Company. For permission contact (legal@berlinusa.com)



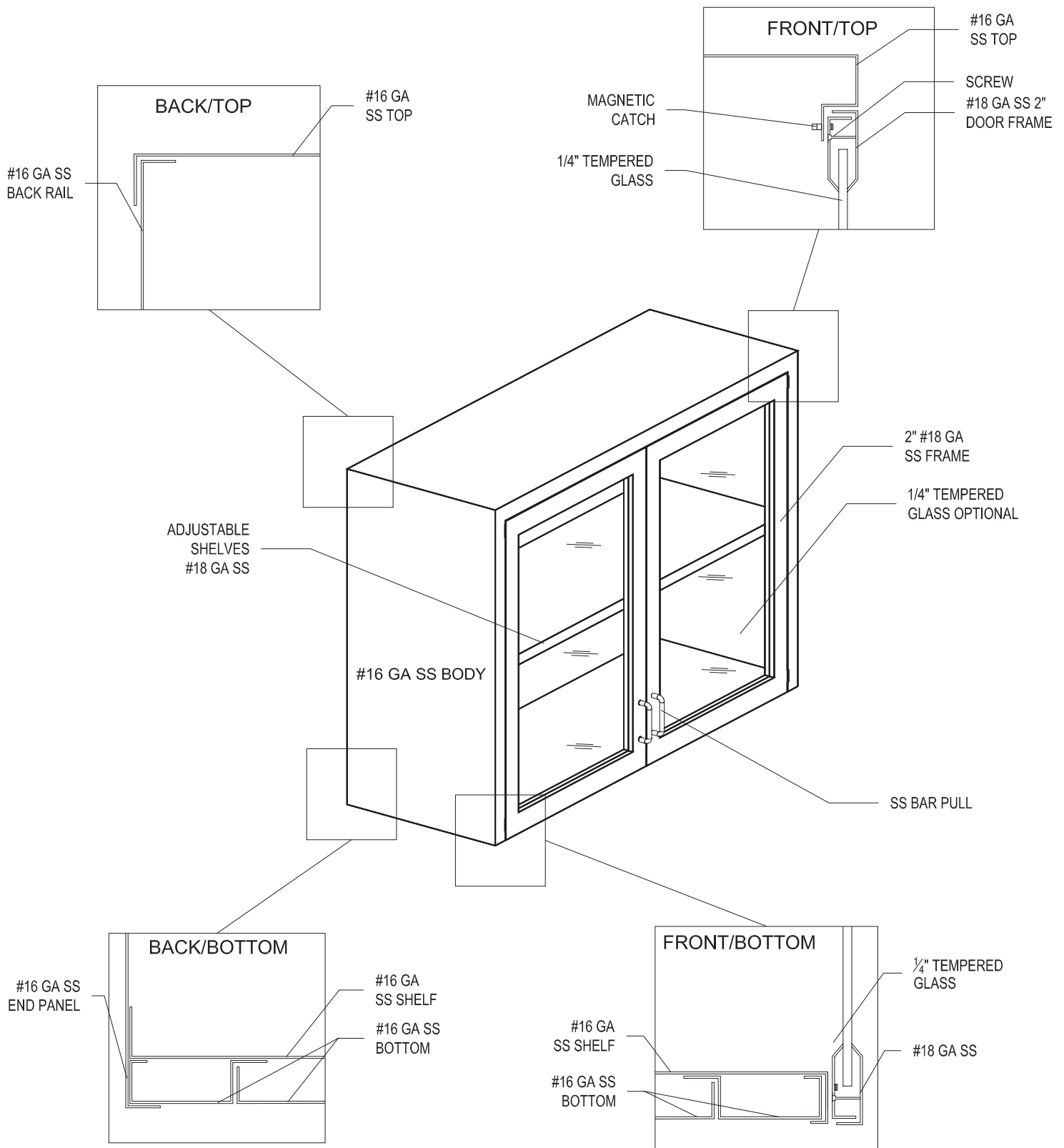
STAINLESS STEEL FULL HEIGHT - TYPICAL CONSTRUCTION

43 SOUTH LINDEN AVE.
SOUTH SAN FRANCISCO, CA 94080
PH (650) 589-4231 FAX (650) 589-3981
WWW.BERLINUSA.COM



© 2016 ALL RIGHTS RESERVED.

This document/s contains material protected under International and Federal Copyright Laws and Treaties. Any unauthorized reprint or use of this material is prohibited. No part of this document may be reproduced or transmitted in any form or by any means, electronic or mechanical, including photocopying, recording, or by any information storage and retrieval system without express written permission from the Berlin Food & Lab Equipment Company. For permission contact (legal@berlinusa.com)



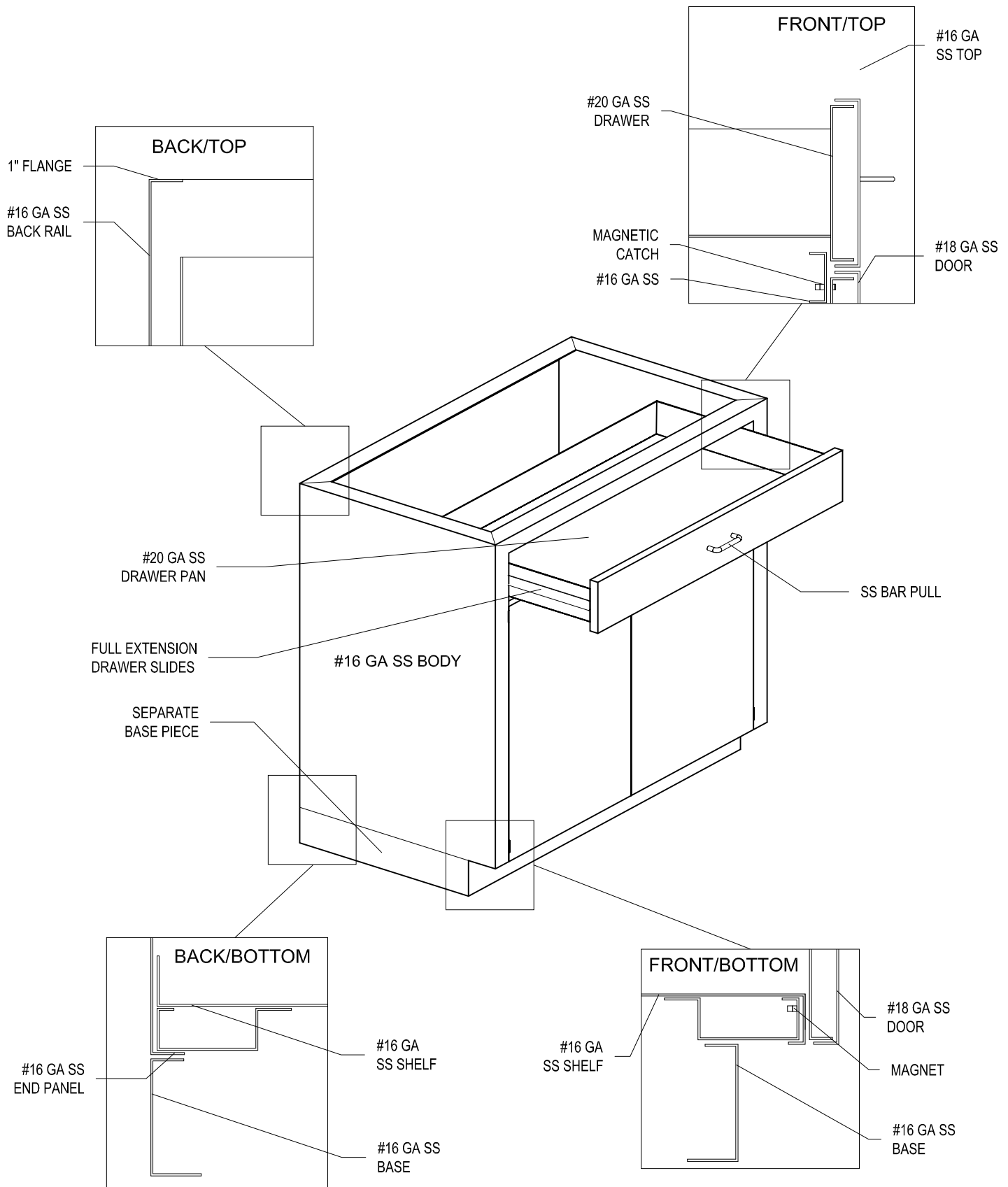
STAINLESS STEEL WALL HUNG - TYPICAL CONSTRUCTION

43 SOUTH LINDEN AVE.
SOUTH SAN FRANCISCO, CA 94080
PH (650) 589-4231 FAX (650) 589-3981
WWW.BERLINUSA.COM



© 2016 ALL RIGHTS RESERVED.

This document/s contains material protected under International and Federal Copyright Laws and Treaties. Any unauthorized reprint or use of this material is prohibited. No part of this document may be reproduced or transmitted in any form or by any means, electronic or mechanical, including photocopying, recording, or by any information storage and retrieval system without express written permission from the Berlin Food & Lab Equipment Company. For permission contact (legal@berlinusa.com)



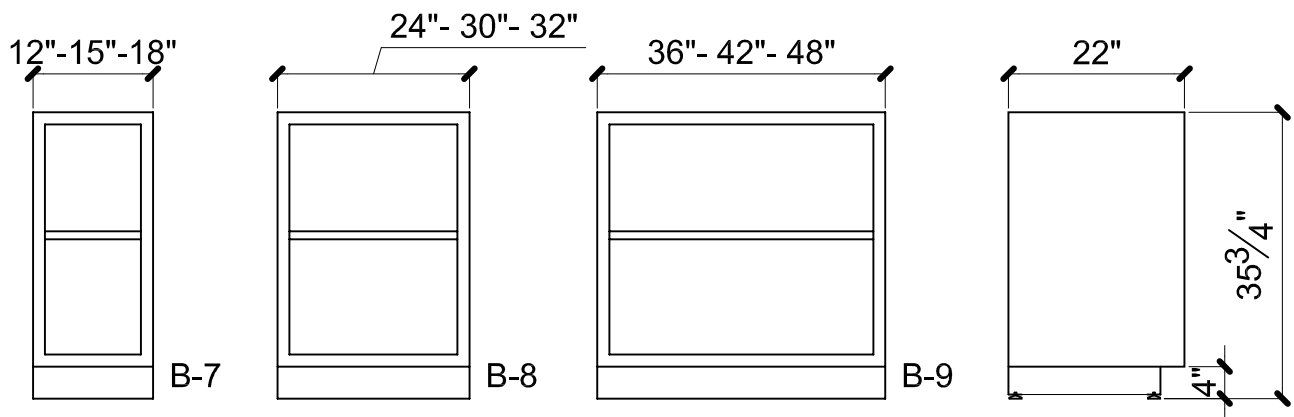
STAINLESS STEEL STANDING HEIGHT - TYPICAL CONSTRUCTION

43 SOUTH LINDEN AVE.
SOUTH SAN FRANCISCO, CA 94080
PH (650) 589-4231 FAX (650) 589-3981
WWW.BERLINUSA.COM



© 2016 ALL RIGHTS RESERVED.

This document/s contains material protected under International and Federal Copyright Laws and Treaties. Any unauthorized reprint or use of this material is prohibited. No part of this document may be reproduced or transmitted in any form or by any means, electronic or mechanical, including photocopying, recording, or by any information storage and retrieval system without express written permission from the Berlin Food & Lab Equipment Company. For permission contact (legal@berlinusa.com)



43 SOUTH LINDEN AVE.
SOUTH SAN FRANCISCO, CA 94080
PH (650) 589-4231 FAX (650) 589-3981
WWW.BERLINUSA.COM

STAINLESS STEEL STANDING HEIGHT - GLASS DOOR AVAILABLE

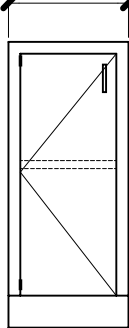


© 2016 ALL RIGHTS RESERVED.

This document/s contains material protected under International and Federal Copyright Laws and Treaties. Any unauthorized reprint or use of this material is prohibited. No part of this document may be reproduced or transmitted in any form or by any means, electronic or mechanical, including photocopying, recording, or by any information storage and retrieval system without express written permission from the Berlin Food & Lab Equipment Company. For permission contact (legal@berlinusa.com)

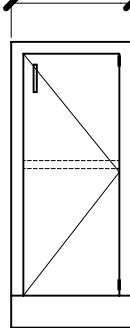


12"-15"-18"-24"



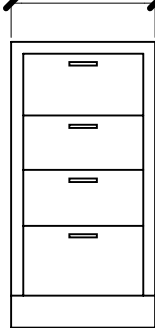
B-10

12"-15"-18"-24"



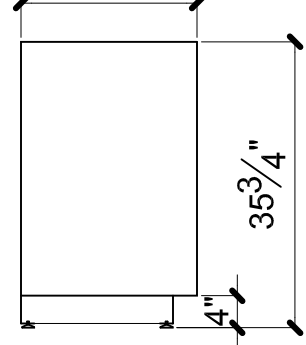
B-11

12"-18"-18"-24"



B-12

22"



SHOWN ABOVE W/
GLASS DOOR



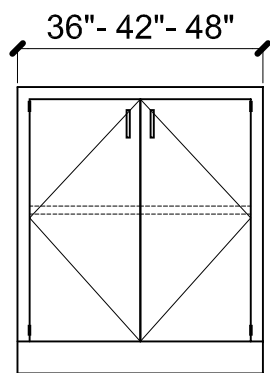
43 SOUTH LINDEN AVE.
SOUTH SAN FRANCISCO, CA 94080
PH (650) 589-4231 FAX (650) 589-3981
WWW.BERLINUSA.COM

STAINLESS STEEL STANDING HEIGHT - GLASS DOOR AVAILABLE

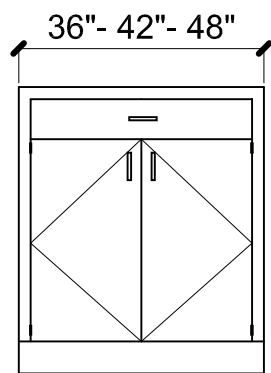


© 2016 ALL RIGHTS RESERVED.

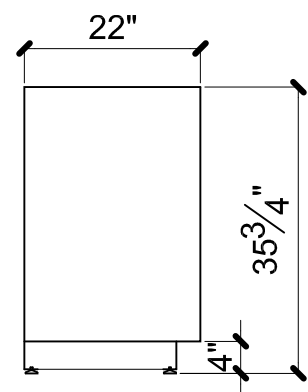
This document/s contains material protected under International and Federal Copyright Laws and Treaties. Any unauthorized reprint or use of this material is prohibited. No part of this document may be reproduced or transmitted in any form or by any means, electronic or mechanical, including photocopying, recording, or by any information storage and retrieval system without express written permission from the Berlin Food & Lab Equipment Company. For permission contact (legal@berlinusa.com)



B-13



B-16



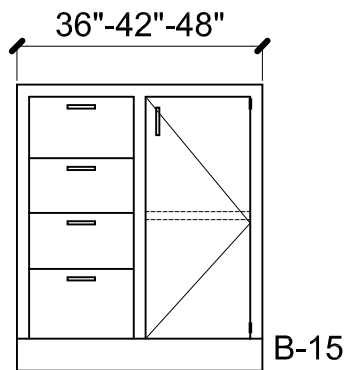
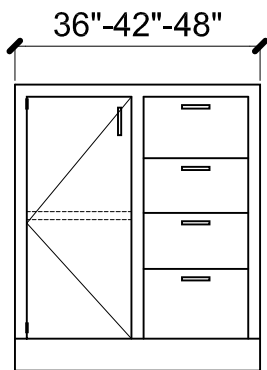
43 SOUTH LINDEN AVE.
 SOUTH SAN FRANCISCO, CA 94080
 PH (650) 589-4231 FAX (650) 589-3981
 WWW.BERLINUSA.COM

STAINLESS STEEL STANDING HEIGHT - GLASS DOOR AVAILABLE

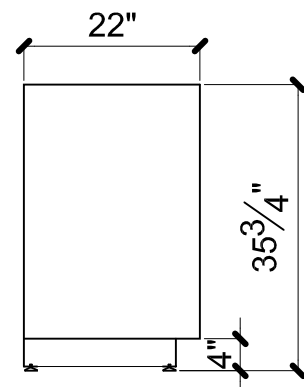


© 2016 ALL RIGHTS RESERVED.

This document/s contains material protected under International and Federal Copyright Laws and Treaties. Any unauthorized reprint or use of this material is prohibited. No part of this document may be reproduced or transmitted in any form or by any means, electronic or mechanical, including photocopying, recording, or by any information storage and retrieval system without express written permission from the Berlin Food & Lab Equipment Company. For permission contact (legal@berlinusa.com)



SHOWN ABOVE W/
GLASS DOOR



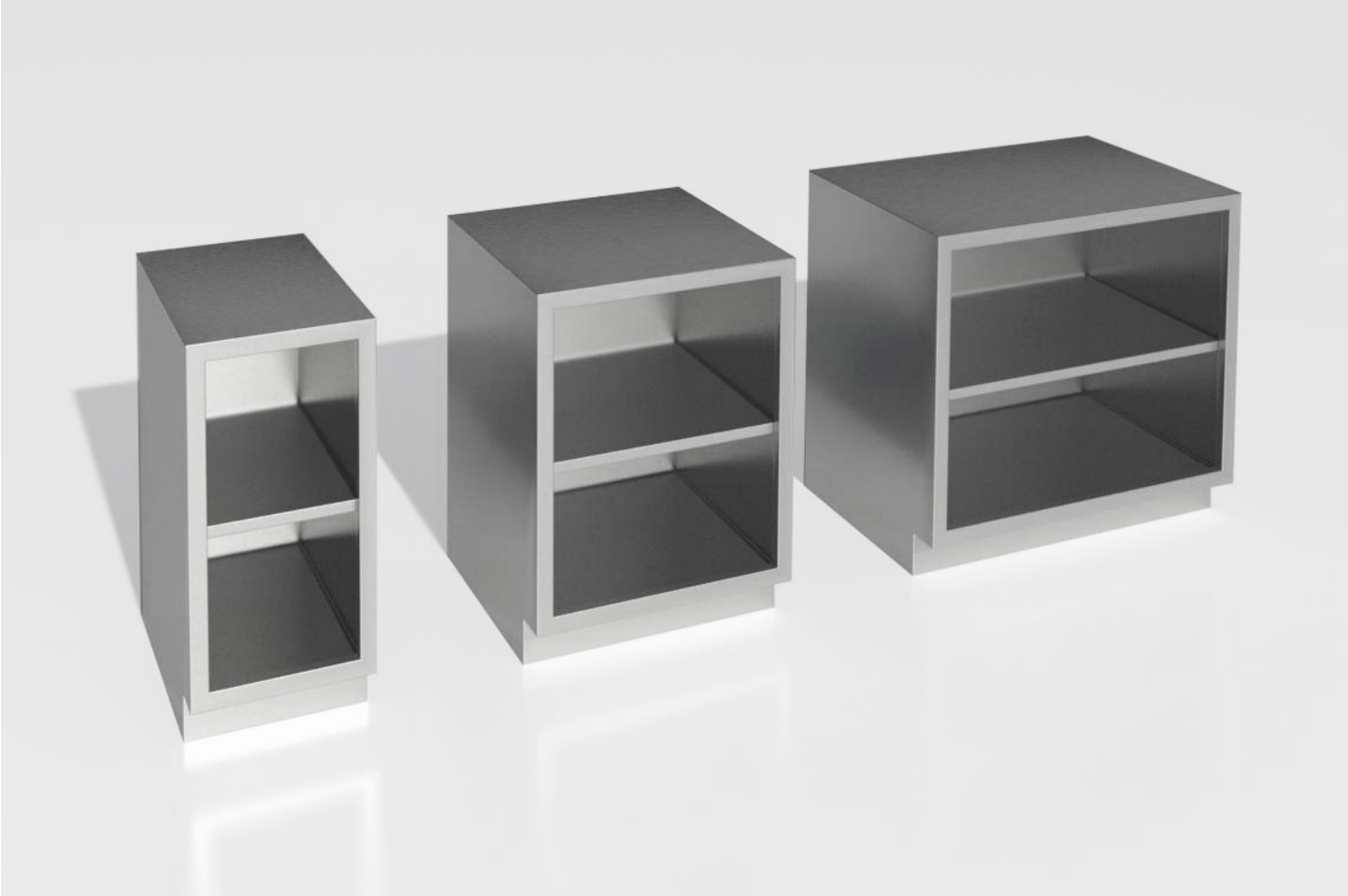
43 SOUTH LINDEN AVE.
SOUTH SAN FRANCISCO, CA 94080
PH (650) 589-4231 FAX (650) 589-3981
WWW.BERLINUSA.COM

STAINLESS STEEL STANDING HEIGHT - GLASS DOOR AVAILABLE

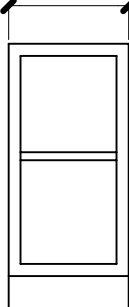


© 2016 ALL RIGHTS RESERVED.

This document/s contains material protected under International and Federal Copyright Laws and Treaties. Any unauthorized reprint or use of this material is prohibited. No part of this document may be reproduced or transmitted in any form or by any means, electronic or mechanical, including photocopying, recording, or by any information storage and retrieval system without express written permission from the Berlin Food & Lab Equipment Company. For permission contact (legal@berlinusa.com)

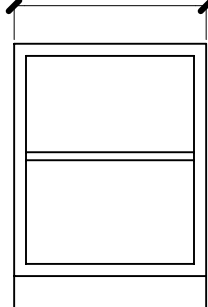


12"-15"-18"



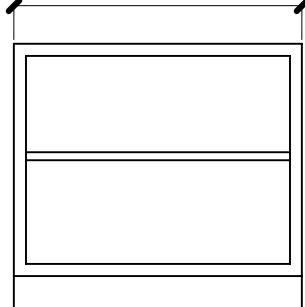
A-7

24"- 30"- 32"



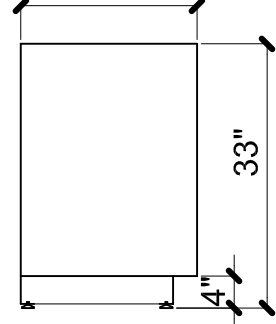
A-8

36"- 42"- 48"



A-9

22"



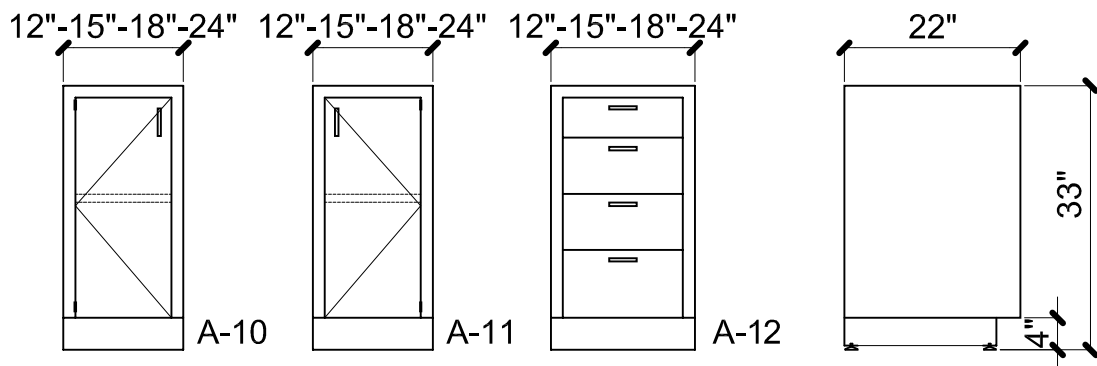
43 SOUTH LINDEN AVE.
SOUTH SAN FRANCISCO, CA 94080
PH (650) 589-4231 FAX (650) 589-3981
WWW.BERLINUSA.COM

STAINLESS STEEL ADA HEIGHT CASEWORK & CABINETS



© 2016 ALL RIGHTS RESERVED.

This document/s contains material protected under International and Federal Copyright Laws and Treaties. Any unauthorized reprint or use of this material is prohibited. No part of this document may be reproduced or transmitted in any form or by any means, electronic or mechanical, including photocopying, recording, or by any information storage and retrieval system without express written permission from the Berlin Food & Lab Equipment Company. For permission contact (legal@berlinusa.com)



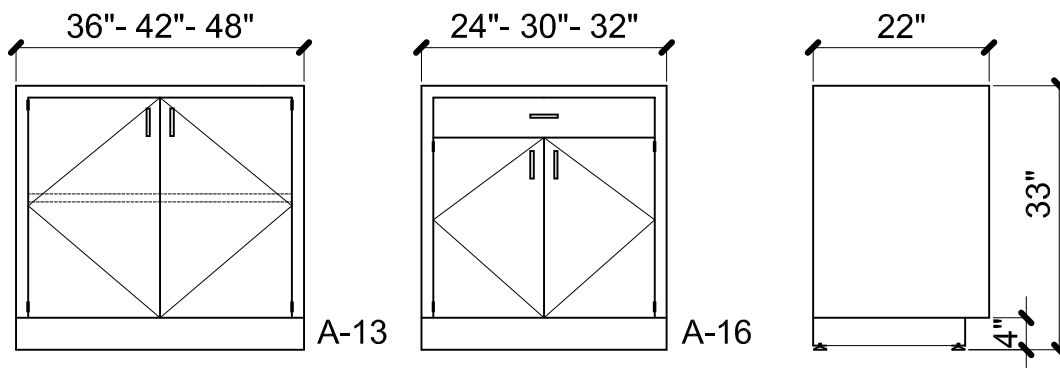
43 SOUTH LINDEN AVE.
 SOUTH SAN FRANCISCO, CA 94080
 PH (650) 589-4231 FAX (650) 589-3981
 WWW.BERLINUSA.COM

STAINLESS STEEL ADA HEIGHT CASEWORK & CABINETS



© 2016 ALL RIGHTS RESERVED.

This document/s contains material protected under International and Federal Copyright Laws and Treaties. Any unauthorized reprint or use of this material is prohibited. No part of this document may be reproduced or transmitted in any form or by any means, electronic or mechanical, including photocopying, recording, or by any information storage and retrieval system without express written permission from the Berlin Food & Lab Equipment Company. For permission contact (legal@berlinusa.com)



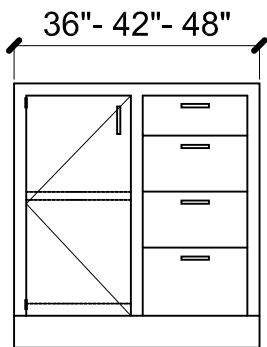
43 SOUTH LINDEN AVE.
 SOUTH SAN FRANCISCO, CA 94080
 PH (650) 589-4231 FAX (650) 589-3981
 WWW.BERLINUSA.COM

STAINLESS STEEL ADA HEIGHT CASEWORK & CABINETS

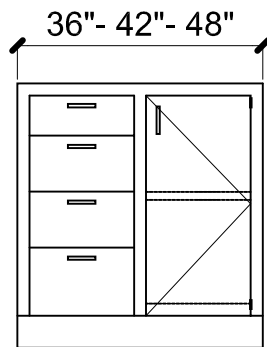


© 2016 ALL RIGHTS RESERVED.

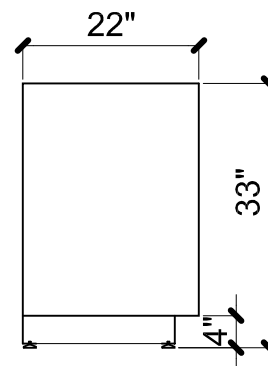
This document/s contains material protected under International and Federal Copyright Laws and Treaties. Any unauthorized reprint or use of this material is prohibited. No part of this document may be reproduced or transmitted in any form or by any means, electronic or mechanical, including photocopying, recording, or by any information storage and retrieval system without express written permission from the Berlin Food & Lab Equipment Company. For permission contact (legal@berlinusa.com)



A-14



A-15



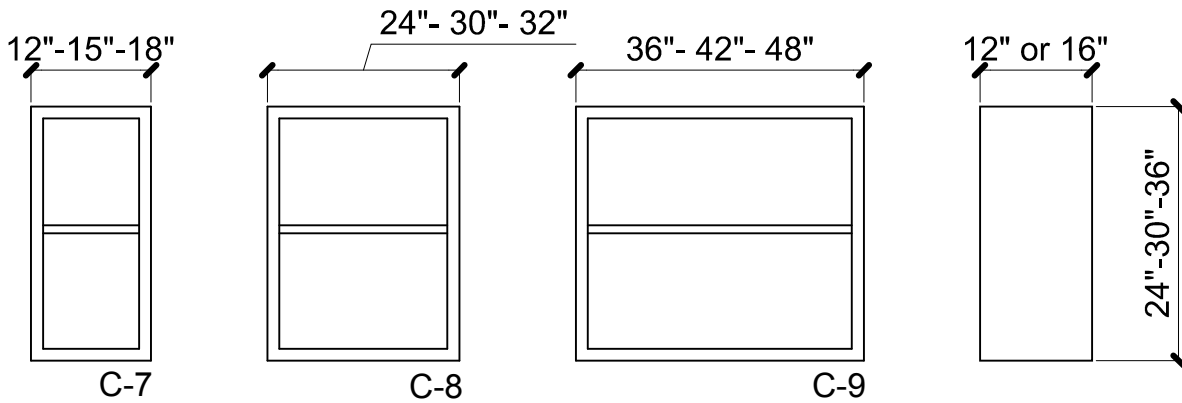
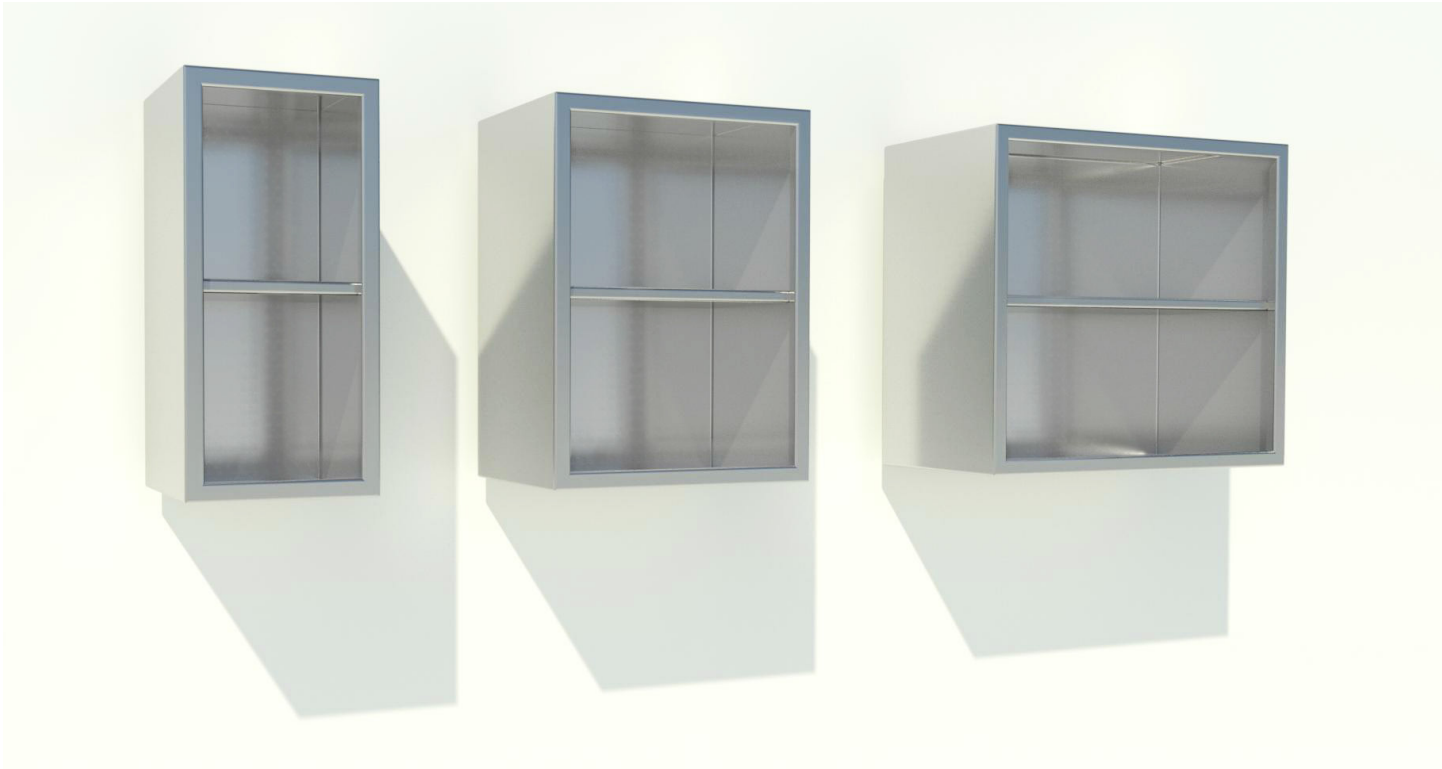
43 SOUTH LINDEN AVE.
 SOUTH SAN FRANCISCO, CA 94080
 PH (650) 589-4231 FAX (650) 589-3981
 WWW.BERLINUSA.COM

STAINLESS STEEL ADA HEIGHT CASEWORK & CABINETS



© 2016 ALL RIGHTS RESERVED.

This document/s contains material protected under International and Federal Copyright Laws and Treaties. Any unauthorized reprint or use of this material is prohibited. No part of this document may be reproduced or transmitted in any form or by any means, electronic or mechanical, including photocopying, recording, or by any information storage and retrieval system without express written permission from the Berlin Food & Lab Equipment Company. For permission contact (legal@berlinusa.com)



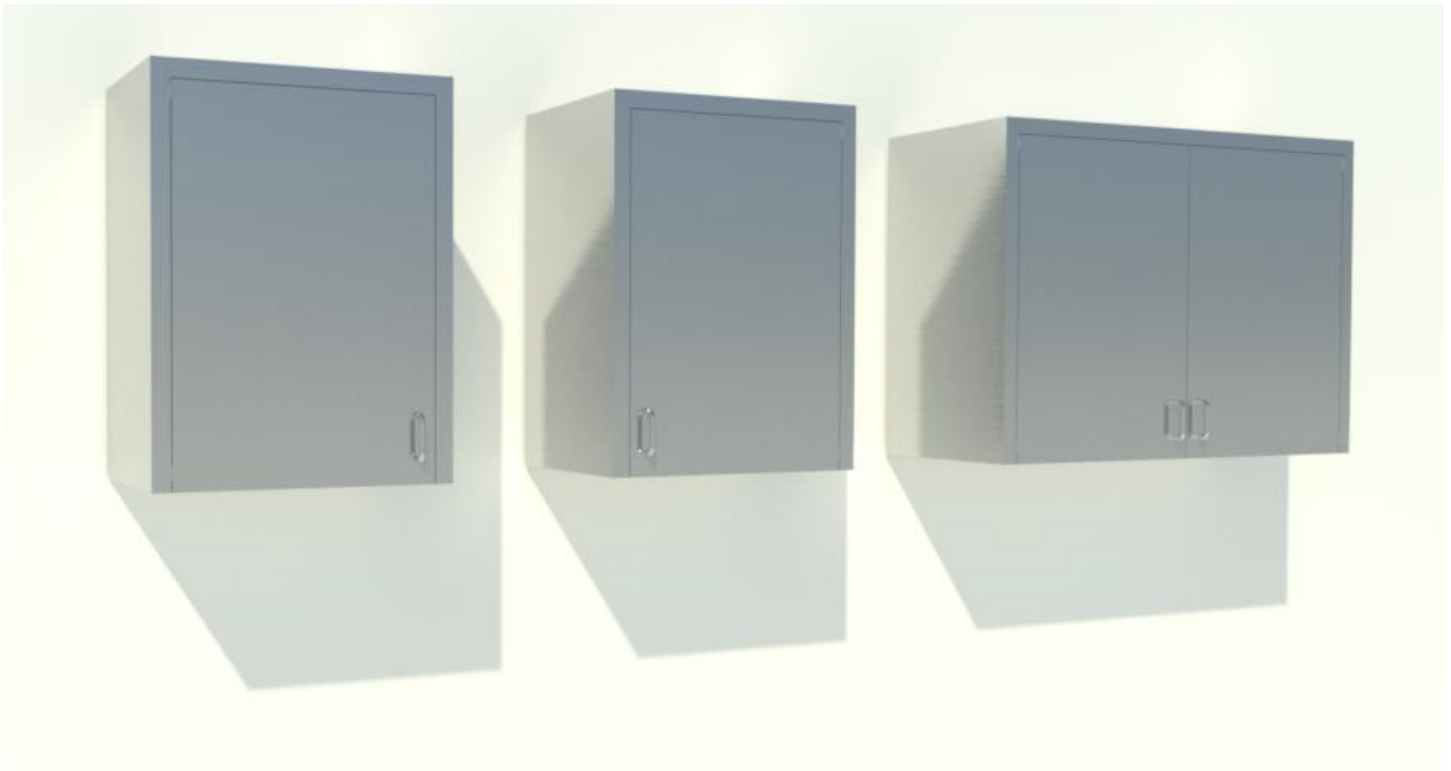
43 SOUTH LINDEN AVE.
 SOUTH SAN FRANCISCO, CA 94080
 PH (650) 589-4231 FAX (650) 589-3981
 WWW.BERLINUSA.COM

STAINLESS STEEL WALL HUNG CABINETS

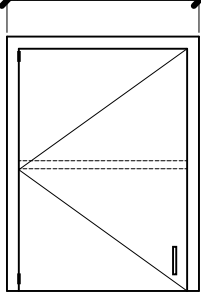


© 2016 ALL RIGHTS RESERVED.

This document/s contains material protected under International and Federal Copyright Laws and Treaties. Any unauthorized reprint or use of this material is prohibited. No part of this document may be reproduced or transmitted in any form or by any means, electronic or mechanical, including photocopying, recording, or by any information storage and retrieval system without express written permission from the Berlin Food & Lab Equipment Company. For permission contact (legal@berlinusa.com)

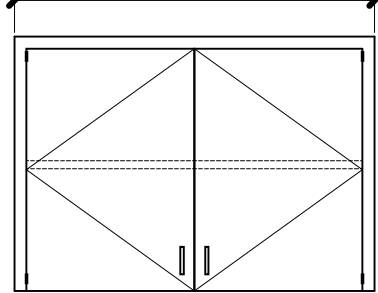


12"-15"-18"-24"



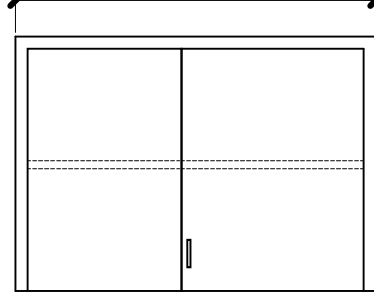
C-11

38"- 42"- 48"



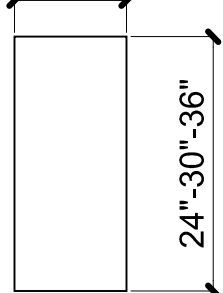
C-12

36"- 42"- 48"



C-12S

12" or 16"



24"-30"-36"

SLIDING DOORS



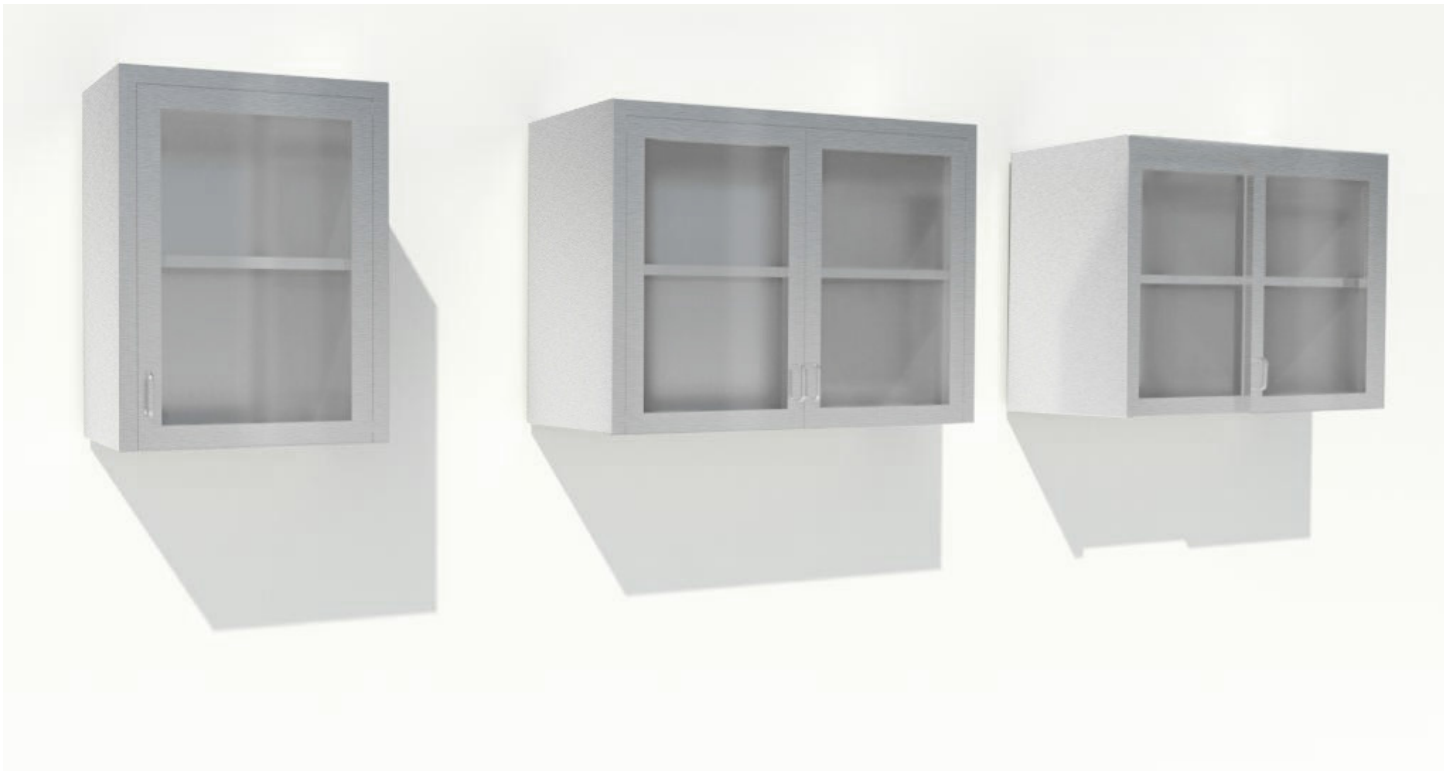
43 SOUTH LINDEN AVE.
SOUTH SAN FRANCISCO, CA 94080
PH (650) 589-4231 FAX (650) 589-3981
WWW.BERLINUSA.COM



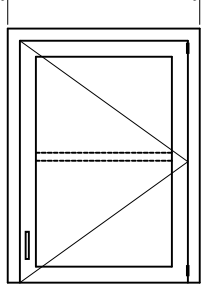
© 2016 ALL RIGHTS RESERVED.

This document/s contains material protected under International and Federal Copyright Laws and Treaties. Any unauthorized reprint or use of this material is prohibited. No part of this document may be reproduced or transmitted in any form or by any means, electronic or mechanical, including photocopying, recording, or by any information storage and retrieval system without express written permission from the Berlin Food & Lab Equipment Company. For permission contact (legal@berlinusa.com)

STAINLESS STEEL WALL HUNG CABINETS

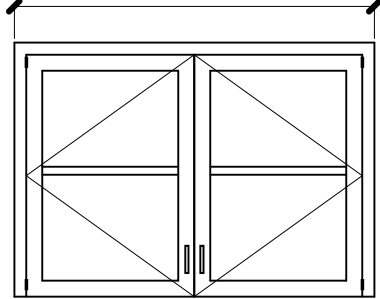


12"-15"-18"-24"



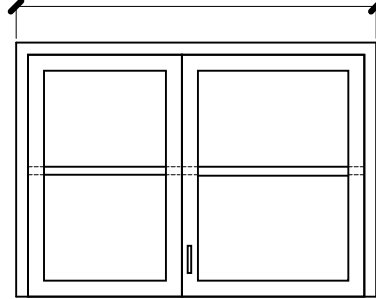
C-13

36"- 42"- 48"



C-14

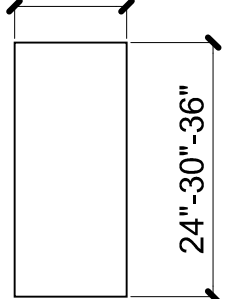
36"- 42"- 48"



C-14S

SLIDING DOORS

12" or 16"



24"-30"-36"



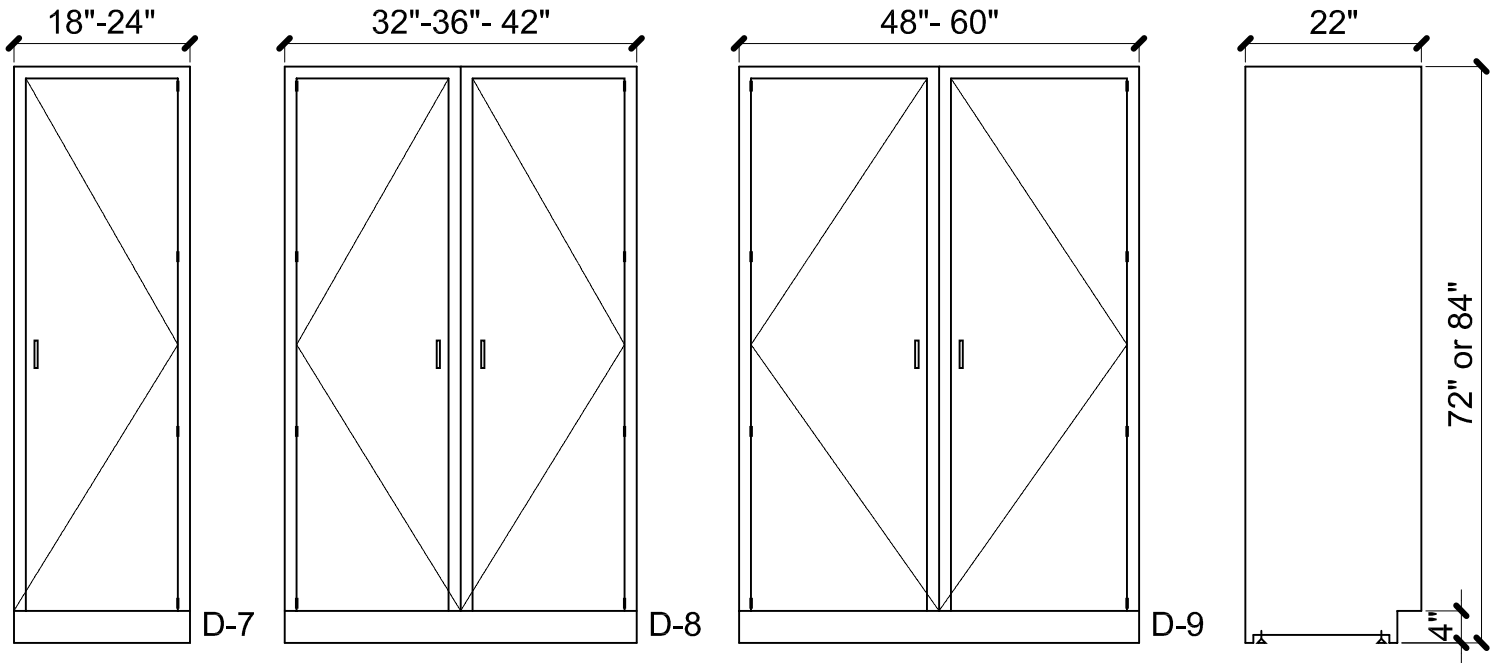
43 SOUTH LINDEN AVE.
SOUTH SAN FRANCISCO, CA 94080
PH (650) 589-4231 FAX (650) 589-3981
WWW.BERLINUSA.COM



© 2016 ALL RIGHTS RESERVED.

This document/s contains material protected under International and Federal Copyright Laws and Treaties. Any unauthorized reprint or use of this material is prohibited. No part of this document may be reproduced or transmitted in any form or by any means, electronic or mechanical, including photocopying, recording, or by any information storage and retrieval system without express written permission from the Berlin Food & Lab Equipment Company. For permission contact (legal@berlinusa.com)

STAINLESS STEEL WALL HUNG CABINETS



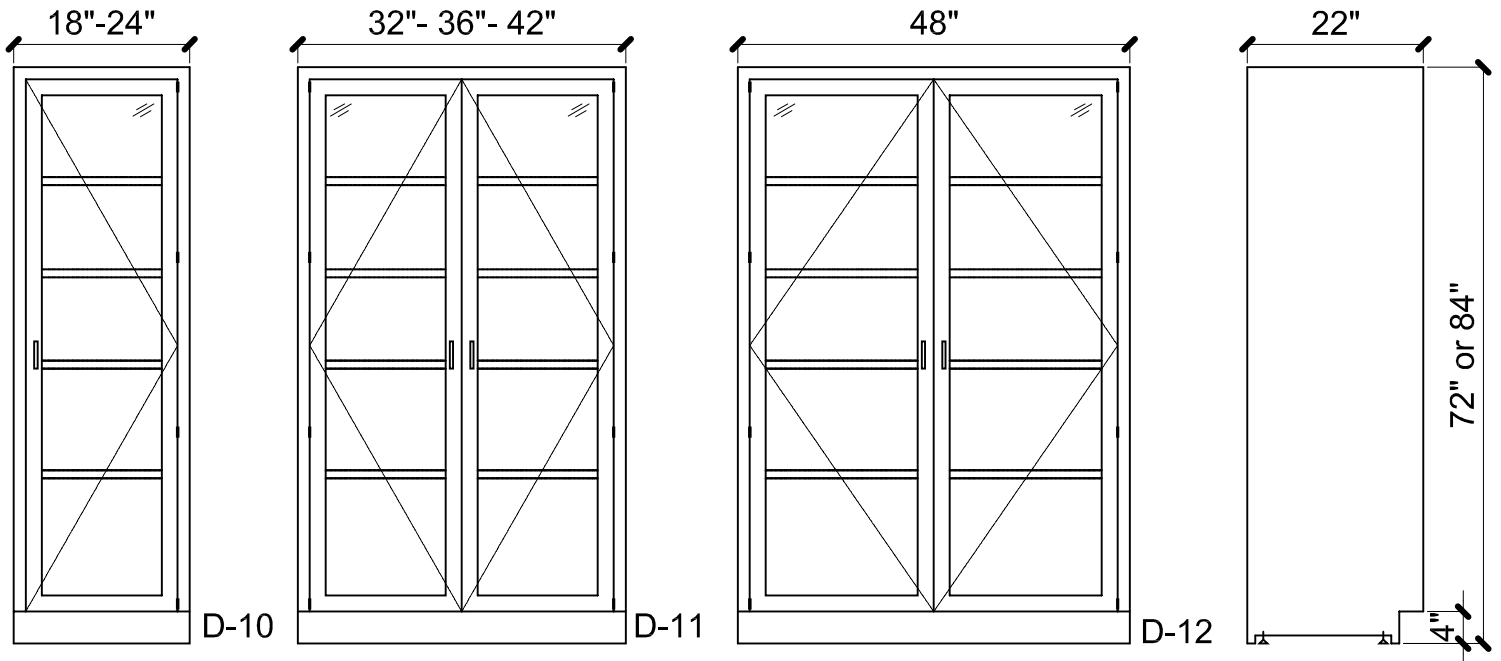
43 SOUTH LINDEN AVE.
 SOUTH SAN FRANCISCO, CA 94080
 PH (650) 589-4231 FAX (650) 589-3981
 WWW.BERLINUSA.COM

STAINLESS STEEL FULL HEIGHT CABINETS



© 2016 ALL RIGHTS RESERVED.

This document/s contains material protected under International and Federal Copyright Laws and Treaties. Any unauthorized reprint or use of this material is prohibited. No part of this document may be reproduced or transmitted in any form or by any means, electronic or mechanical, including photocopying, recording, or by any information storage and retrieval system without express written permission from the Berlin Food & lab Equipment Company. For permission contact (legal@berlinusa.com)



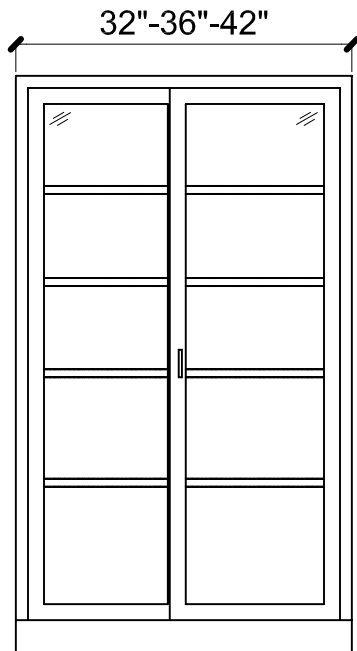
43 SOUTH LINDEN AVE.
 SOUTH SAN FRANCISCO, CA 94080
 PH (650) 589-4231 FAX (650) 589-3981
 WWW.BERLINUSA.COM

STAINLESS STEEL FULL HEIGHT CABINETS

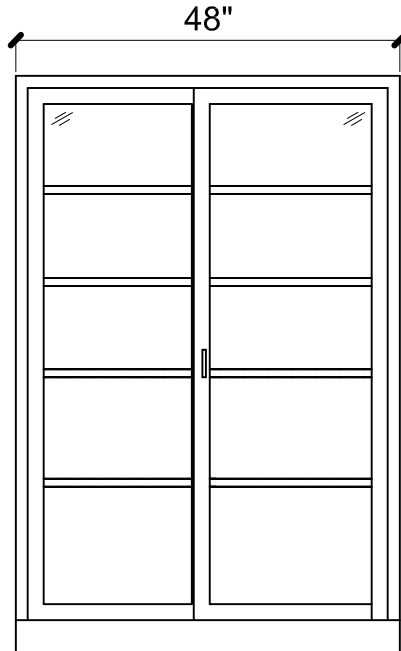


© 2016 ALL RIGHTS RESERVED.

This document/s contains material protected under International and Federal Copyright Laws and Treaties. Any unauthorized reprint or use of this material is prohibited. No part of this document may be reproduced or transmitted in any form or by any means, electronic or mechanical, including photocopying, recording, or by any information storage and retrieval system without express written permission from the Berlin Food & Lab Equipment Company. For permission contact (legal@berlinusa.com)

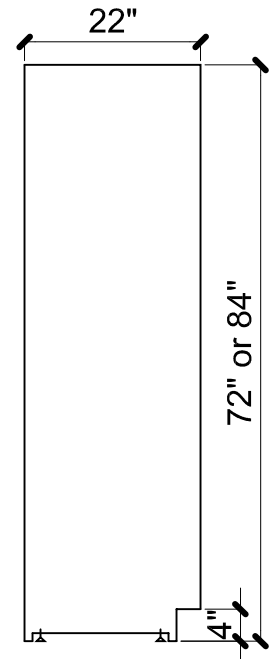


D-11S



D-12S

SLIDING DOOR



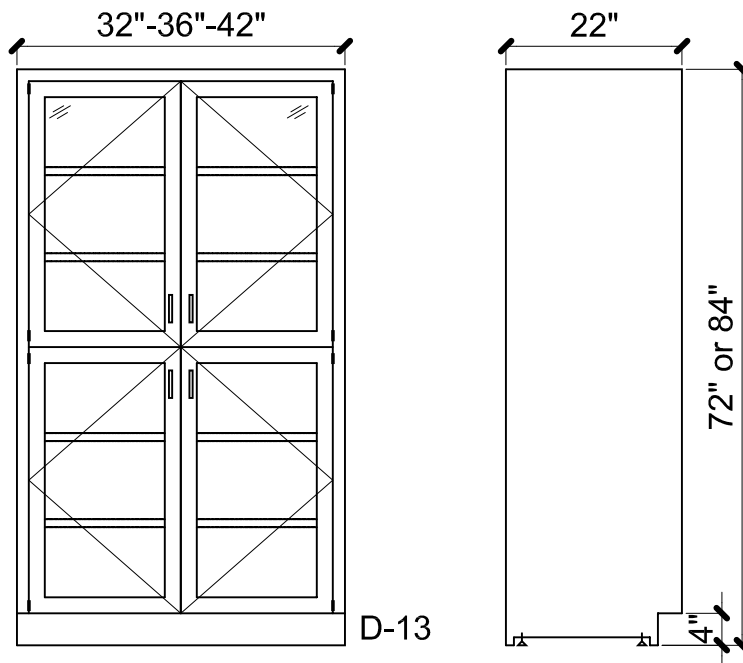
43 SOUTH LINDEN AVE.
SOUTH SAN FRANCISCO, CA 94080
PH (650) 589-4231 FAX (650) 589-3981
WWW.BERLINUSA.COM

STAINLESS STEEL FULL HEIGHT CABINETS



© 2016 ALL RIGHTS RESERVED.

This document/s contains material protected under International and Federal Copyright Laws and Treaties. Any unauthorized reprint or use of this material is prohibited. No part of this document may be reproduced or transmitted in any form or by any means, electronic or mechanical, including photocopying, recording, or by any information storage and retrieval system without express written permission from the Berlin Food & Lab Equipment Company. For permission contact (legal@berlinusa.com)



D-13



43 SOUTH LINDEN AVE.
 SOUTH SAN FRANCISCO, CA 94080
 PH (650) 589-4231 FAX (650) 589-3981
 WWW.BERLINUSA.COM

STAINLESS STEEL FULL HEIGHT CABINETS



© 2016 ALL RIGHTS RESERVED.

This document/s contains material protected under International and Federal Copyright Laws and Treaties. Any unauthorized reprint or use of this material is prohibited. No part of this document may be reproduced or transmitted in any form or by any means, electronic or mechanical, including photocopying, recording, or by any information storage and retrieval system without express written permission from the Berlin Food & Lab Equipment Company. For permission contact (legal@berlinusa.com)