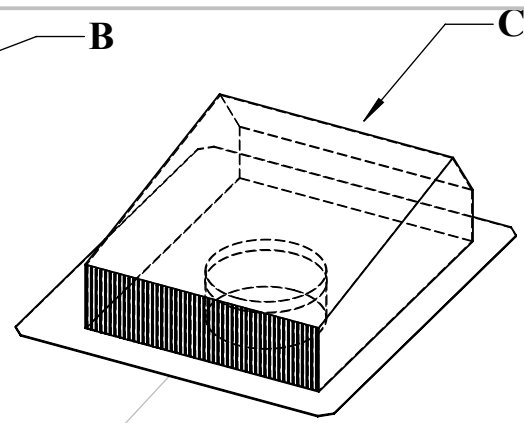
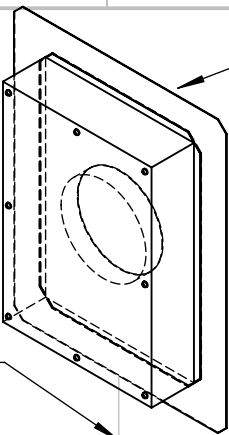
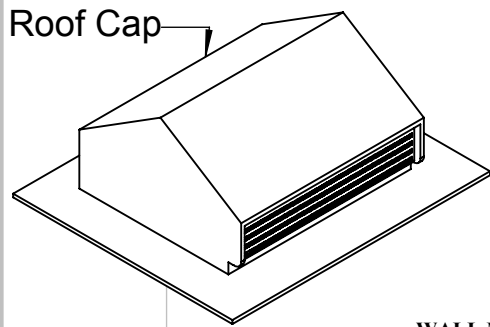


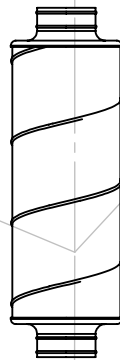
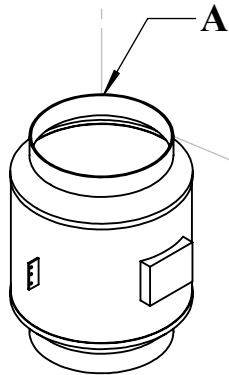
2

1



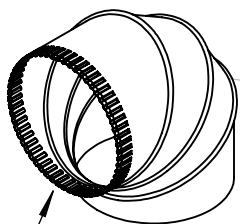
B

B

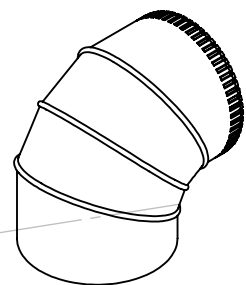
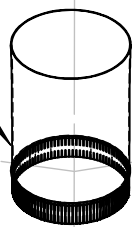


Optional Silencer
LD8/LD10

Specified
extension piece
TBD



8"/10" Damper
Control



8" adjustable
90° elbow

10" adjustable
90° elbow

Side Mounting
Optional

Rear Venting
Optional

Vertical Exhaust
Typical- 10"
Optional- 8"

A

A



PROPRIETARY AND CONFIDENTIAL
THE INFORMATION CONTAINED IN
THIS DRAWING IS THE SOLE
PROPERTY OF <BERLIN FOOD AND
LAB EQUIPMENT>. ANY
REPRODUCTION IN PART OR AS A
WHOLE WITHOUT THE WRITTEN
PERMISSION OF <BERLIN FOOD
AND LAB EQUIPMENT> IS
PROHIBITED.

DIMENSIONS ARE IN INCHES
TOLERANCES:
FRACTIONAL ±
ANGULAR: MACH ± BEND ±
TWO PLACE DECIMAL ±
THREE PLACE DECIMAL ±

MATERIAL

FINISH

DO NOT SCALE DRAWING

	NAME	DATE
DRAWN	EN	
CHECKED		
ENG APPR.		
MFG APPR.		
Q.A.		
COMMENTS:		

Berlin Chef Series Liner with
External Blower Configuration
Page

SIZE	DWG. NO.	REV.
A		
SCALE:1:16	WEIGHT:	SHEET 1 OF 1

2

1