

© 2023 ALL RIGHTS RESERVED.

This document/s contains material protected under International and Federal Copyright Laws and Treaties. Any unauthorized reprint or use of this material is prohibited. No part of this document may be reproduced or transmitted in any form or by any means, electronic or mechanical, including photocopying, recording, or by any information storage and retrieval system without express written permission from Berlin Food & Lab Equipment Company. For permission contact (legal@berlinusa.com)

This is a mechanical concept design based on collected customer data and or provided drawings and details. We highly recommend a Thorough review and possibly Analysed by an engineer before approving for final fabrication.

43 SOUTH LINDEN AVE.
SOUTH SAN FRANCISCO, CA 94080
PH (650) 589-4231 FAX (650) 589-3981
WWW.BERLINUSA.COM

DRUM CART MOD: 50SSDC-1

USE FOR ARCHITECT / ENGINEER / CONTRACTOR APPROVAL

JOB NAME _____ DATE _____

MODEL No. _____ QTY _____

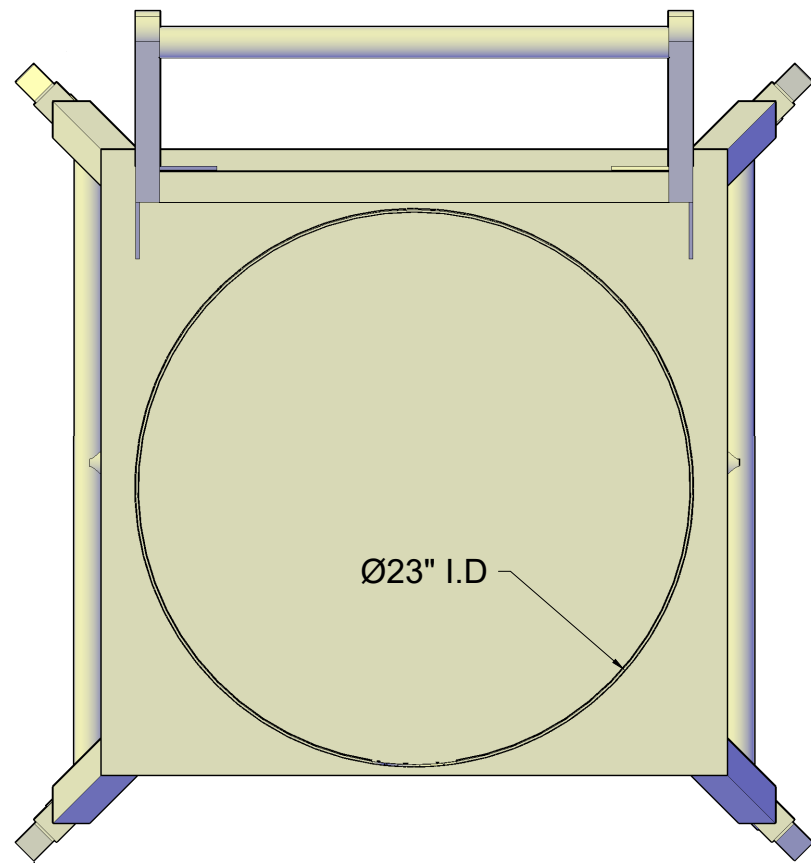
CUSTOMER _____

CONTRACTOR _____

ARCHITECT / ENGINEER _____

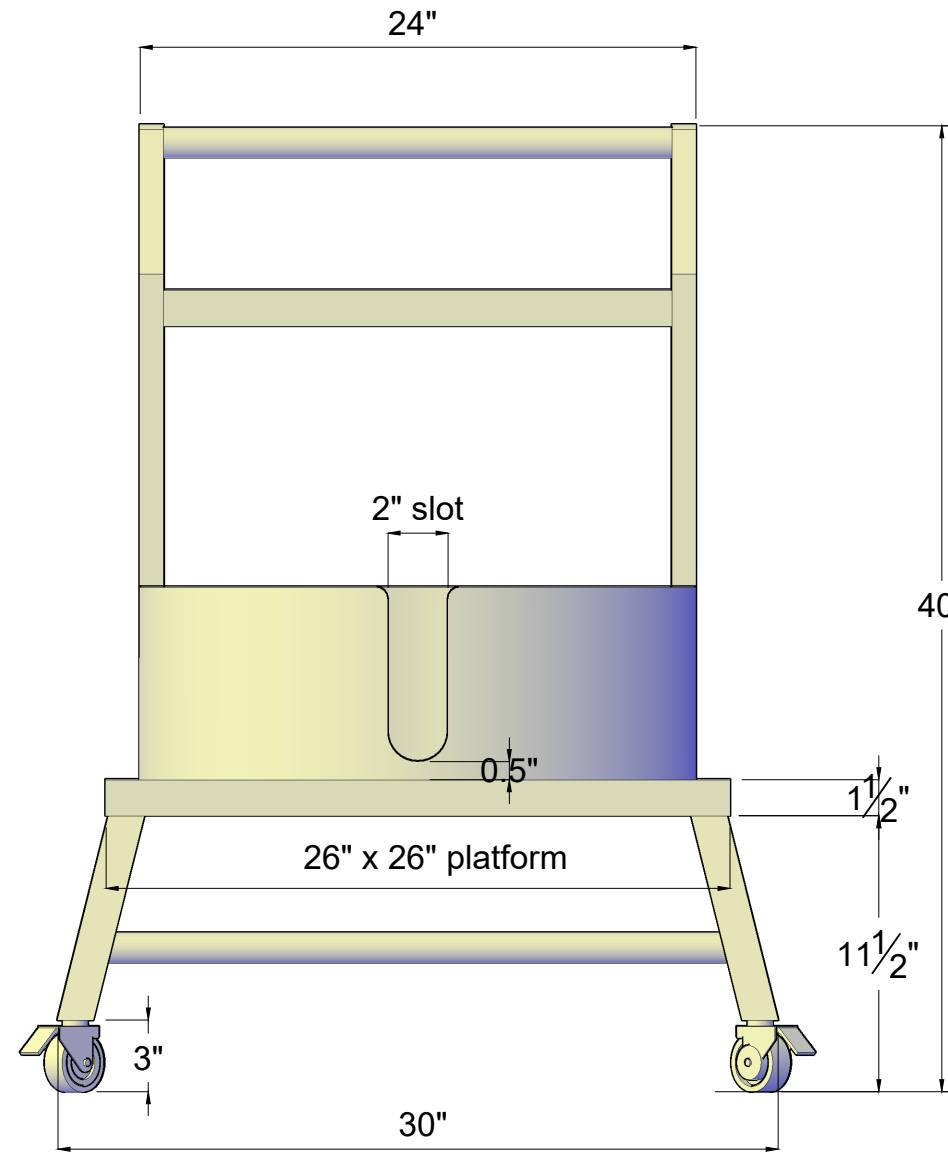
DATE: 11-30-2023

DWG: L-07483-1

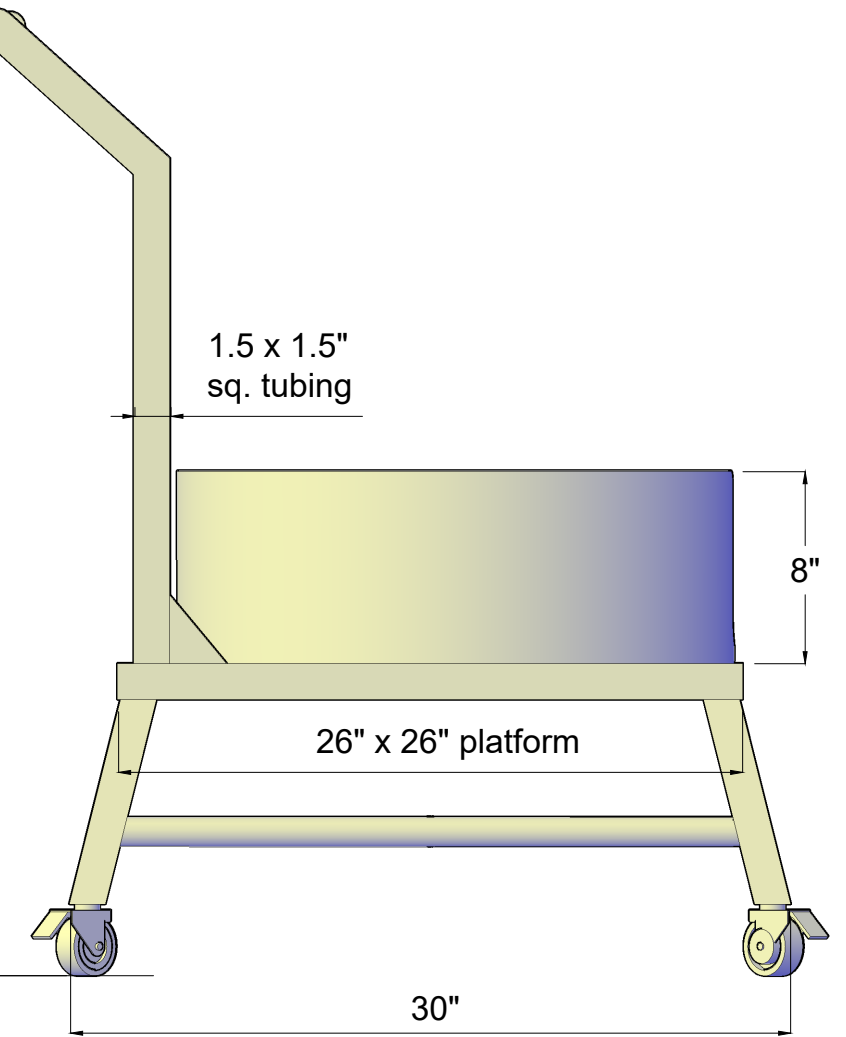


all casters
swiveled w/ brake

PLAN VIEW



FRONT VIEW



SIDE VIEW



© 2023 ALL RIGHTS RESERVED.

This document/s contains material protected under International and Federal Copyright Laws and Treaties. Any unauthorized reprint or use of this material is prohibited. No part of this document may be reproduced or transmitted in any form or by any means, electronic or mechanical, including photocopying, recording, or by any information storage and retrieval system without express written permission from Berlin Food & Lab Equipment Company. For permission contact (legal@berlinusa.com)

This is a mechanical concept design based on collected customer data and or provided drawings and details. We highly recommend a Thorough review and possibly Analysed by an engineer before approving for final fabrication.

43 SOUTH LINDEN AVE.
SOUTH SAN FRANCISCO, CA 94080
PH (650) 589-4231 FAX (650) 589-3981
WWW.BERLINUSA.COM

DRUM CART MOD: 50SSDC-1

USE FOR ARCHITECT / ENGINEER / CONTRACTOR APPROVAL

JOB NAME _____ DATE _____

MODEL No. _____ QTY _____

CUSTOMER _____

CONTRACTOR _____

ARCHITECT / ENGINEER _____

DATE: 11-30-2023

DWG: L-07483-2