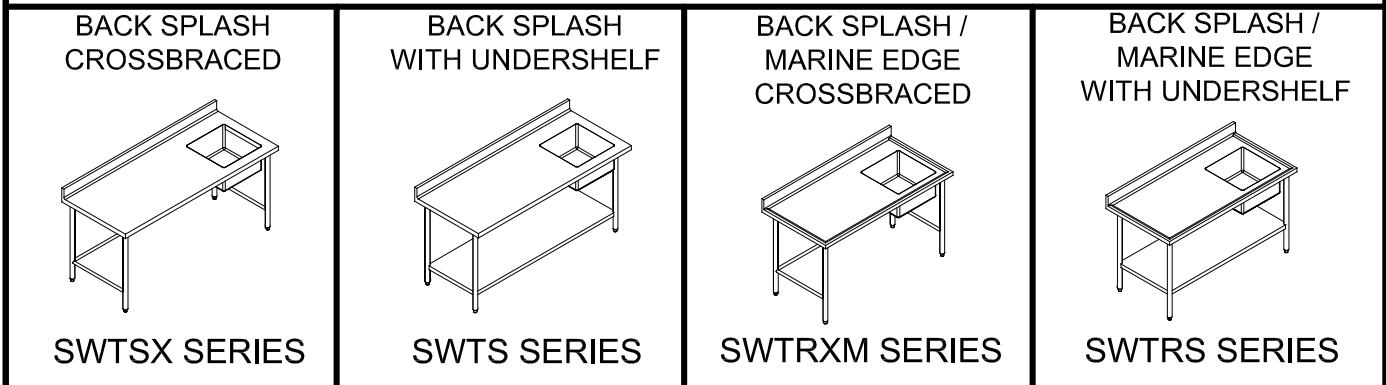


STAINLESS STEEL WORKTABLES W/ PREP SINK (OPTIONAL LEFT OR RIGHT SINK)



MODEL NO.	NET WT.	PRICE	MODEL NO.	NET WT.	PRICE	MODEL NO.	NET WT.	PRICE	MODEL NO.	NET WT.	PRICE
2SWTSX - 24	45 #	2185	2SWTS - 24	52 #	2240	2SWTRXM - 24	46 #	2317	2SWTRS - 24	53 #	2602
2SWTSX - 30	49 #	2228	2SWTS - 30	60 #	2302	2SWTRXM - 30	50 #	2392	2SWTRS - 30	61 #	2677
2SWTSX - 36	53 #	2275	2SWTS - 36	67 #	2359	2SWTRXM - 36	53 #	2456	2SWTRS - 36	68 #	2741
3SWTSX - 24	53 #	2314	3SWTS - 24	67 #	2372	3SWTRXM - 24	55 #	2466	3SWTRS - 24	69 #	2751
3SWTSX - 30	60 #	2376	3SWTS - 30	78 #	2462	3SWTRXM - 30	61 #	2471	3SWTRS - 30	80 #	2756
3SWTSX - 36	66 #	2434	3SWTS - 36	88 #	2547	3SWTRXM - 36	67 #	2694	3SWTRS - 36	90 #	2979
4SWTSX - 24	61 #	2447	4SWTS - 24	82 #	2501	4SWTRXM - 24	64 #	2629	4SWTRS - 24	85 #	2914
4SWTSX - 30	70 #	2519	4SWTS - 30	95 #	2617	4SWTRXM - 30	73 #	2773	4SWTRS - 30	98 #	3058
4SWTSX - 36	78 #	2596	4SWTS - 36	108 #	2714	4SWTRXM - 36	81 #	2922	4SWTRS - 36	111 #	3207
5SWTSX - 24	72 #	2496	5SWTS - 24	98 #	2632	5SWTRXM - 24	76 #	2791	5SWTRS - 24	101 #	3076
5SWTSX - 30	82 #	2586	5SWTS - 30	116 #	2777	5SWTRXM - 30	86 #	2972	5SWTRS - 30	118 #	3257
5SWTSX - 36	92 #	2675	5SWTS - 36	133 #	2916	5SWTRXM - 36	95 #	3151	5SWTRS - 36	134 #	3436
6SWTSX - 24	83 #	2544	6SWTS - 24	113 #	2765	6SWTRXM - 24	87 #	2952	6SWTRS - 24	117 #	3237
6SWTSX - 30	95 #	2648	6SWTS - 30	133 #	2933	6SWTRXM - 30	98 #	3165	6SWTRS - 30	137 #	3450
6SWTSX - 36	106 #	2753	6SWTS - 36	153 #	3087	6SWTRXM - 36	109 #	3379	6SWTRS - 36	156 #	3664
7SWTSX - 24	103 #	2921	7SWTS - 24	138 #	3165	7SWTRXM - 24	107 #	3453	7SWTRS - 24	142 #	3738
7SWTSX - 30	117 #	3045	7SWTS - 30	161 #	3360	7SWTRXM - 30	119 #	3705	7SWTRS - 30	165 #	3990
7SWTSX - 36	131 #	3169	7SWTS - 36	184 #	3554	7SWTRXM - 36	131 #	3960	7SWTRS - 36	188 #	4245
8SWTSX - 24	114 #	3013	8SWTS - 24	155 #	3297	8SWTRXM - 24	118 #	3617	8SWTRS - 24	158 #	3902
8SWTSX - 30	130 #	3154	8SWTS - 30	181 #	3519	8SWTRXM - 30	133 #	3904	8SWTRS - 30	185 #	4189
8SWTSX - 36	146 #	3293	8SWTS - 36	207 #	3744	8SWTRXM - 36	147 #	4187	8SWTRS - 36	211 #	4472
9SWTSX - 24	125 #	3107	9SWTS - 24	170 #	3429	9SWTRXM - 24	130 #	3780	9SWTRS - 24	175 #	4065
9SWTSX - 30	133 #	3263	9SWTS - 30	200 #	3679	9SWTRXM - 30	147 #	4099	9SWTRS - 30	205 #	4384
9SWTSX - 36	140 #	3414	9SWTS - 36	230 #	3931	9SWTRXM - 36	163 #	4421	9SWTRS - 36	234 #	4706
10SWTSX - 24	135 #	3201	10SWTS - 24	187 #	3562	10SWTRXM - 24	141 #	3944	10SWTRS - 24	193 #	4229
10SWTSX - 30	155 #	3219	10SWTS - 30	220 #	3839	10SWTRXM - 30	161 #	4298	10SWTRS - 30	225 #	4583
10SWTSX - 36	175 #	3539	10SWTS - 36	252 #	4113	10SWTRXM - 36	180 #	4649	10SWTRS - 36	257 #	4934
11SWTSX - 24	143 #	3406	11SWTS - 24	199 #	3802	11SWTRXM - 24	149 #	4228	11SWTRS - 24	206 #	4513
11SWTSX - 30	164 #	3593	11SWTS - 30	271 #	4109	11SWTRXM - 30	170 #	4614	11SWTRS - 30	241 #	4899
11SWTSX - 36	185 #	3775	11SWTS - 36	290 #	4412	11SWTRXM - 36	191 #	5001	11SWTRS - 36	275 #	5286

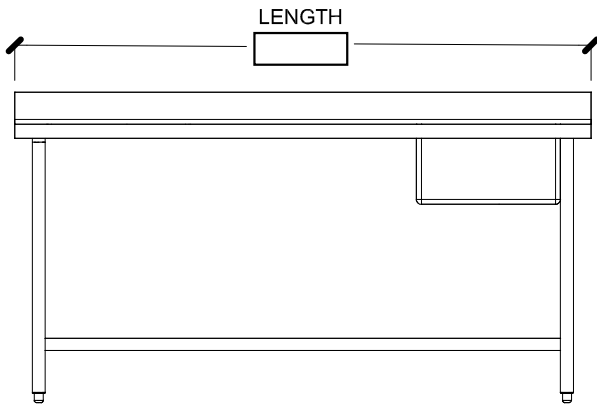
OPTIONS

- | | |
|--|--|
| <p>\$ 380.00 <input type="checkbox"/> #4115-P, 15 x 20 S/S ROLLER BEARING DRAWER W/ PLASTIC LINER</p> <p>\$ 480.00 <input type="checkbox"/> #4115-S, 15 x 20 S/S ROLLER BEARING DRAWER S/S LINER</p> <p>\$ 173.00 <input type="checkbox"/> #B-1121 DECK MOUNT 8" SWING NOZZLE FAUCET</p> <p>\$ 185.00 <input type="checkbox"/> #B-1142 DECK MOUNT 6" SWIVEL GOOSENECK FAUCET</p> | <p>\$ 22.00 <input type="checkbox"/> #B-2K WRIST ACTION HANDLE</p> <p>\$ 86.00 <input type="checkbox"/> #4 ES 24" END SPLASH EA. SIDE</p> <p>\$ 96.00 <input type="checkbox"/> #4 ES 30" END SPLASH EA. SIDE</p> <p>\$ 106.00 <input type="checkbox"/> #4 ES 36" END SPLASH EA. SIDE</p> <p>\$ 151.00 <input type="checkbox"/> 3B-3942-01 DRAIN W/ OVERFLOW TUBE</p> |
|--|--|

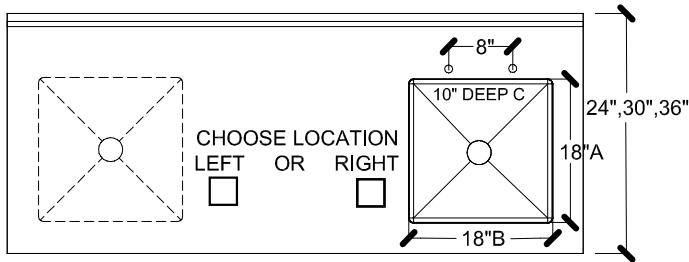
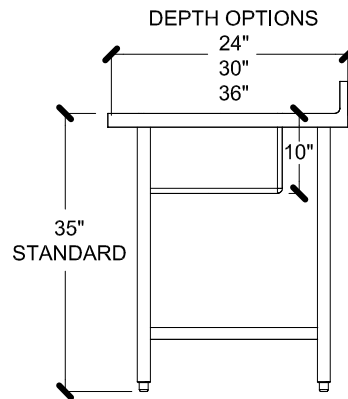


MADE IN THE U.S.A
 CERTIFIED TO ANSI

STAINLESS STEEL WORKTABLE ADDITIONAL OPTIONS



FILL IN DESIRED LENGTH

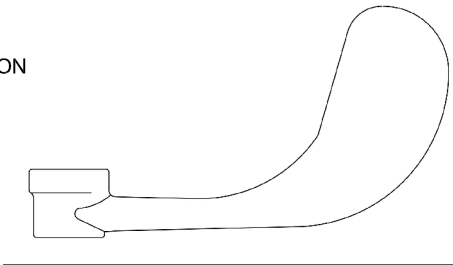


-(SHOWN ABOVE WITH SINK ON RIGHT SIDE - DIMENSIONS SAME FOR LEFT SIDE SINK) 18" X 18" X 10" STANDARD.

-CHOOSE CUSTOM SIZE SINK

- A _____
- B _____
- C _____

B-2K
 WRIST ACTION
 HANDLE
 \$22.00 EA.

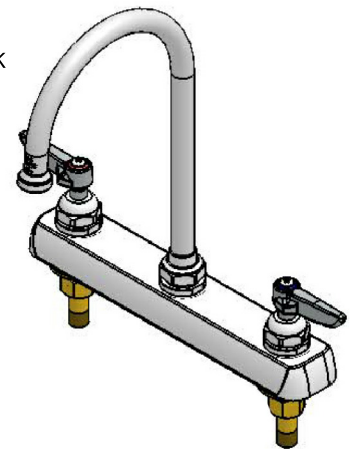


B-3942-01
 SINK DRAIN WITH
 OVERFLOW TUBE
 \$151.00

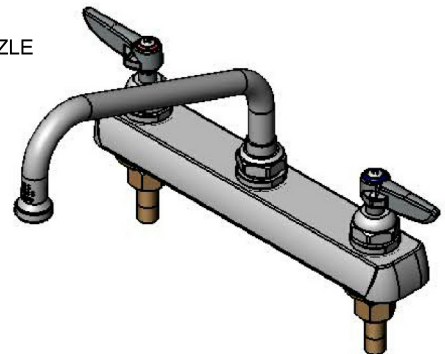


Twist Handle w/
 Heat Resistant
 Plastic Grip (Shown
 in Open Position)

B-1142 GOOSENECK
 FAUCET
 \$185.00



B-1121
 SWING NOZZLE
 FAUCET
 \$173.00



MADE IN
 THE U.S.A
 CERTIFIED
 TO ANSI