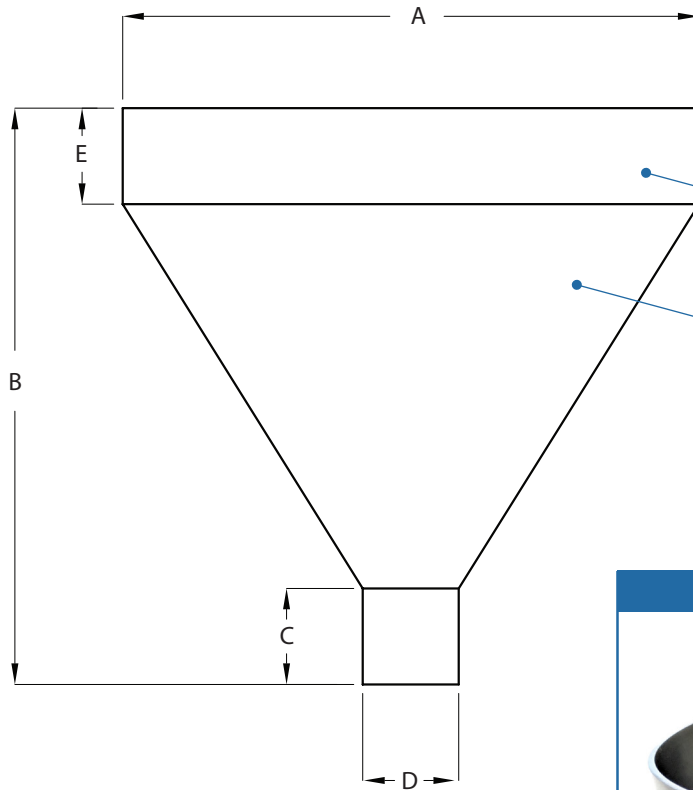


Made in the US since 1941

SANITARY STAINLESS FUNNEL CONE WITH VERTICAL LIP | MODEL S-43-VL



T-304 N.S.F.
CONSTRUCTION



STANDARD 14 GA
STAINLESS STEEL

180 GRIT FINISH
OR 25 Ra FINISH

SAMPLE PHOTO



OPTIONS

- T-304 STAINLESS
- T-316 STAINLESS

DIMENSIONAL SUBMITTAL

A _____	A _____	A _____
B _____	B _____	B _____
C _____	C _____	C _____
D _____	D _____	D _____
E _____	E _____	E _____
QNTY _____	QNTY _____	QNTY _____

USE FOR ARCHITECT / ENGINEER / CONTRACTOR APPROVAL

Job name _____

Date _____ QTY _____ Contractor _____

Model No. _____ Customer _____ Architect/Engineer _____



Performance Through Stainless!

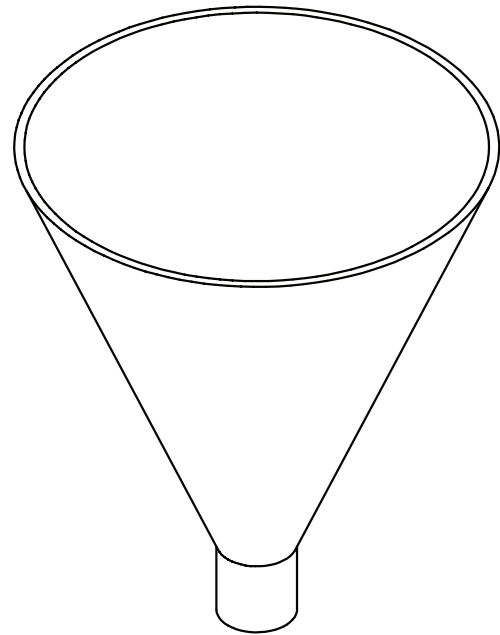
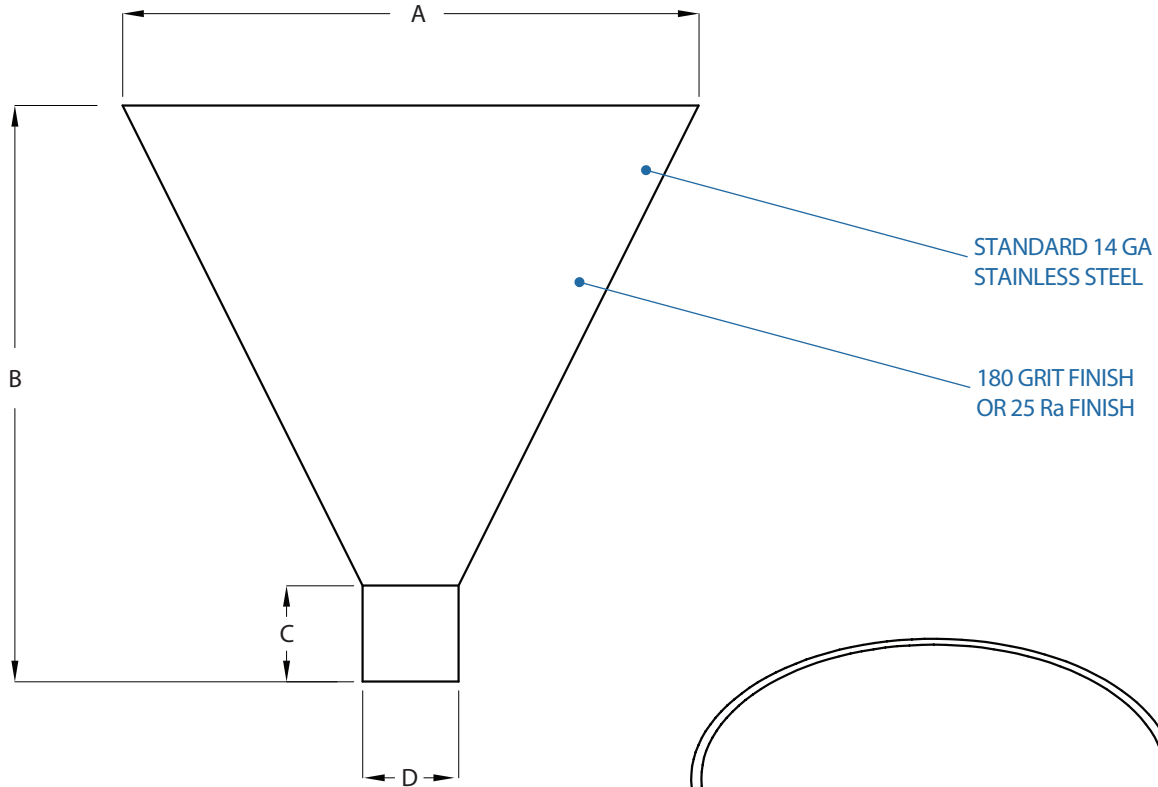
43 South Linden Ave South San Francisco CA 94080 Ph (650) 589-4231 Fax (650) 589-3981 www.berlinusa.com

Made in the US since 1941

SANITARY STAINLESS FUNNEL CONE WITHOUT VERTICAL LIP | MODEL S-43-NVL



T-304 N.S.F.
CONSTRUCTION



OPTIONS

T-304 STAINLESS

T-316 STAINLESS

DIMENSIONAL SUBMITTAL

A _____	A _____	A _____
B _____	B _____	B _____
C _____	C _____	C _____
D _____	D _____	D _____
QNTY ____	QNTY ____	QNTY ____

USE FOR ARCHITECT / ENGINEER / CONTRACTOR APPROVAL

Job name _____

Date _____ QTY _____ Contractor _____

Model No. _____ Customer _____ Architect/Engineer _____



Performance Through Stainless!

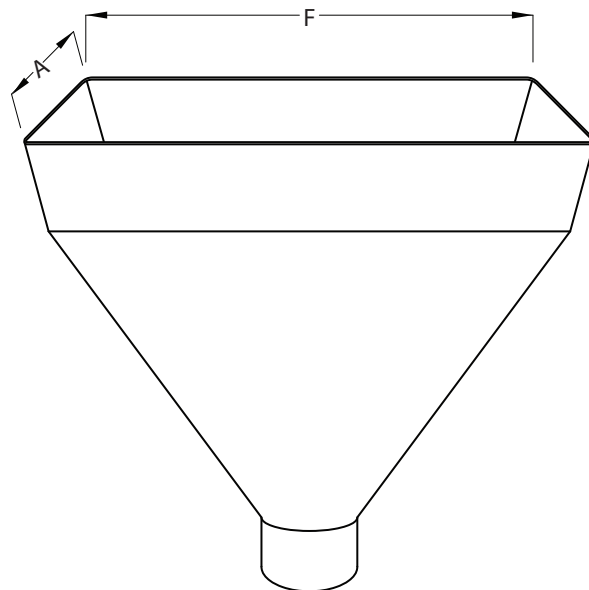
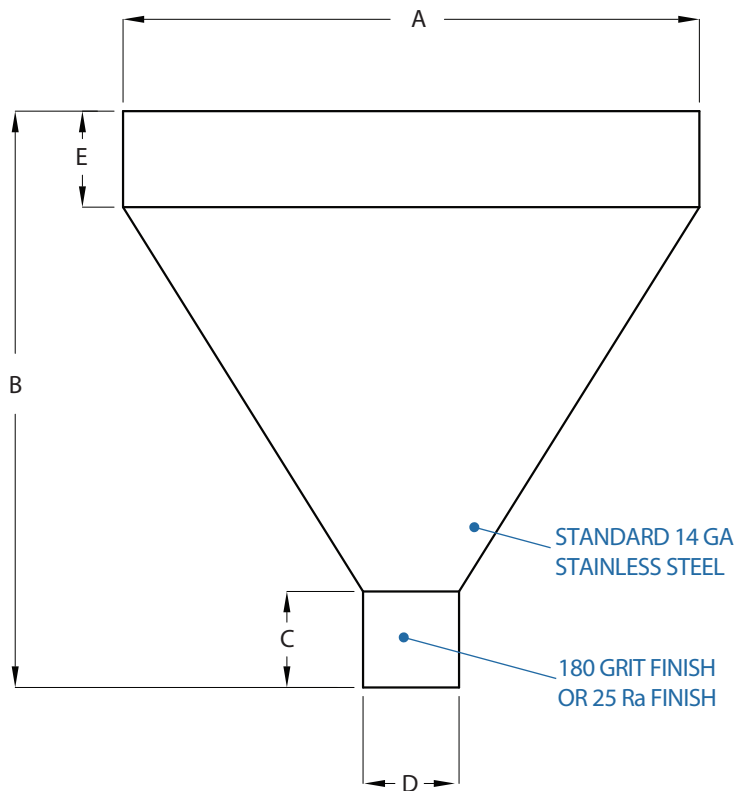
43 South Linden Ave South San Francisco CA 94080 Ph (650) 589-4231 Fax (650) 589-3981 www.berlinusa.com

Made in the US since 1941

SANITARY STAINLESS FUNNEL

QUADRILATERAL FUNNEL WITH VERTICAL LIP

T-304 N.S.F.
CONSTRUCTION



OPTIONS

T-304 STAINLESS

T-316 STAINLESS



DIMENSIONAL SUBMITTAL

A _____	A _____	A _____
B _____	B _____	B _____
C _____	C _____	C _____
D _____	D _____	D _____
E _____	E _____	E _____
F _____	F _____	F _____
QNTY ____	QNTY ____	QNTY ____

USE FOR ARCHITECT / ENGINEER / CONTRACTOR APPROVAL

Job name _____

Date _____ QTY _____ Contractor _____

Model No. _____ Customer _____ Architect/Engineer _____



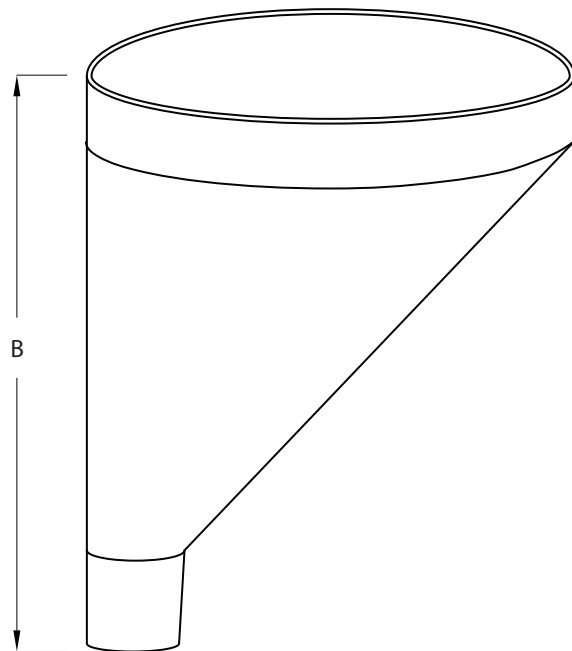
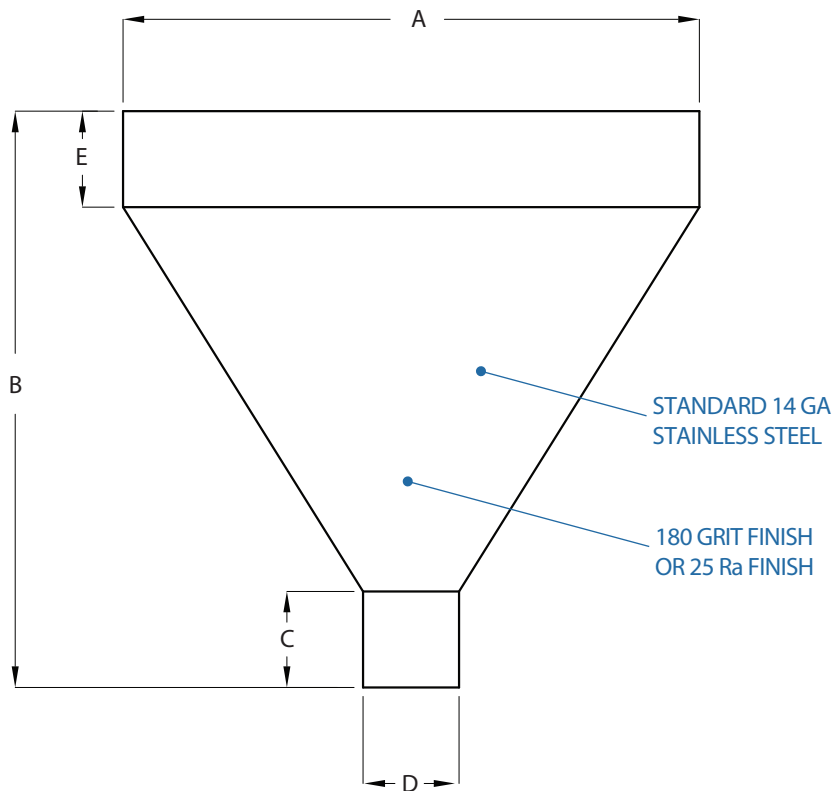
Performance Through Stainless!

43 South Linden Ave South San Francisco CA 94080 Ph (650) 589-4231 Fax (650) 589-3981 www.berlinusa.com

SANITARY STAINLESS FUNNEL

ECENTRIC FUNNEL WITH VERTICAL LIP

T-304 N.S.F.
CONSTRUCTION

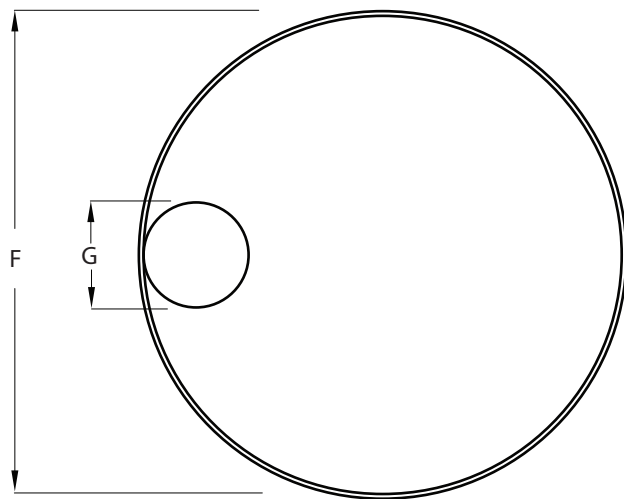


OPTIONS

T-304 STAINLESS

T-316 STAINLESS

DIMENSIONAL SUBMITTAL		
A _____	A _____	A _____
B _____	B _____	B _____
C _____	C _____	C _____
D _____	D _____	D _____
E _____	E _____	E _____
F _____	F _____	F _____
G _____	G _____	G _____
QNTY ____	QNTY ____	QNTY ____



USE FOR ARCHITECT / ENGINEER / CONTRACTOR APPROVAL

Job name _____

Date _____ QTY _____ Contractor _____

Model No. _____ Customer _____ Architect/Engineer _____



Performance Through Stainless!

43 South Linden Ave South San Francisco CA 94080 Ph (650) 589-4231 Fax (650) 589-3981 www.berlinusa.com