

USE FOR ARCHITECT / ENGINEER / CONTRACTOR APPROVAL

JOB NAME _____ DATE _____

MODEL No. _____ QTY _____

CUSTOMER _____

CONTRACTOR _____

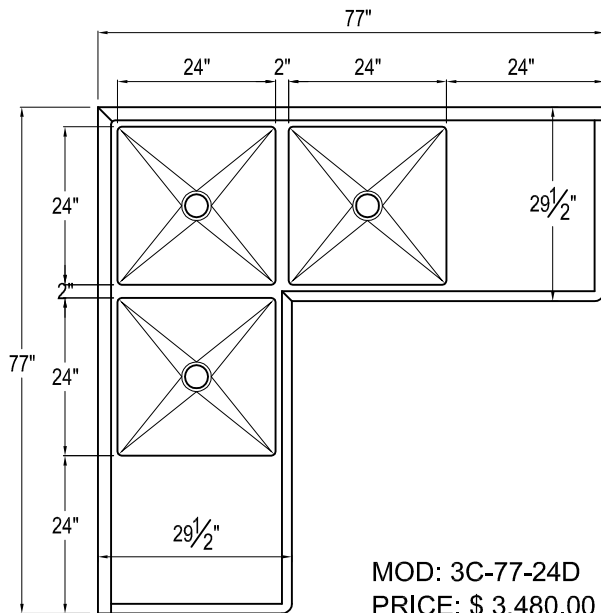
ARCHITECT / ENGINEER _____



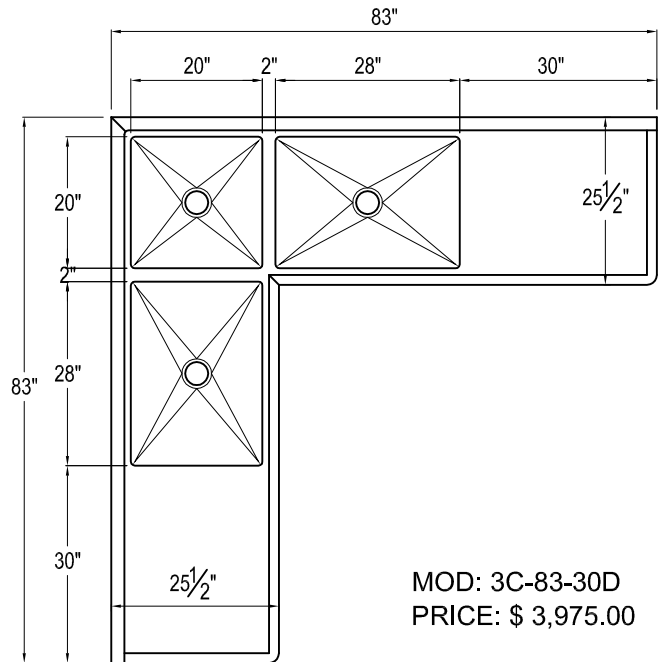
MADE IN
THE U.S.A.
CERTIFIED
TO ANSI

STANDARD SPECIFICATIONS

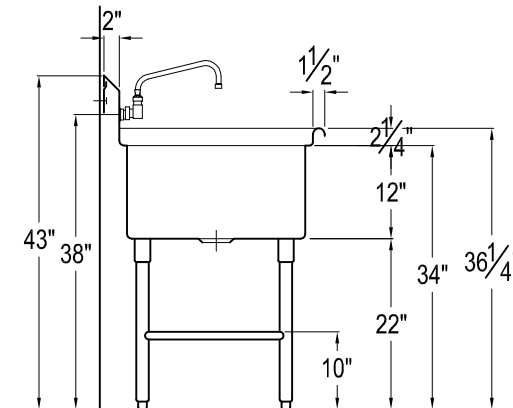
N.S.F. SINKS ARE CONSTRUCTED OF 16 GAUGE, TYPE 304 STAINLESS STEEL POLISHED TO A # 4 FINISH. EACH SINK IS WELDED AND POLISHED TO FORM A ONE PIECE SANITARY UNIT WITH ALL INSIDE CORNERS COVERED TO COMPLY WITH N.S.F. STANDARD NO. 2. THE FRONT AND BOTH ENDS ARE FINISHED WITH A 1.5" DIAMETER SANITARY ROLLED EDGE. THE 9" HIGH BACKSPLASH HAS A 2" RETURN TO THE WALL AT 45 DEGREES AND A 0.75" TURN-DOWN WITH WALL CLIPS. CENTER BASKET DRAINS WITH 1.5" IPS OUTLETS ARE FURNISHED. STAINLESS STEEL N.S.F. LEG SOCKETS ARE WELDED TO THE THE BOTTOM OF THE SINKS. "H" LEGS ARE 1.625" O.D. STAINLESS STEEL TUBING. FEET ARE N.S.F. ADJUSTABLE BULLET TYPE.



MOD: 3C-77-24D
PRICE: \$ 3,480.00



MOD: 3C-83-30D
PRICE: \$ 3,975.00



USE FOR ARCHITECT / ENGINEER / CONTRACTOR APPROVAL

JOB NAME _____ DATE _____

MODEL No. _____ QTY _____

CUSTOMER _____

CONTRACTOR _____

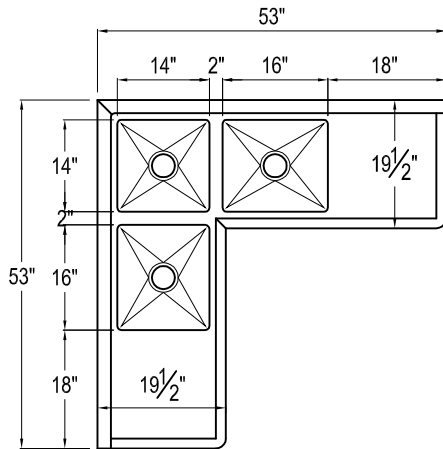
ARCHITECT / ENGINEER _____



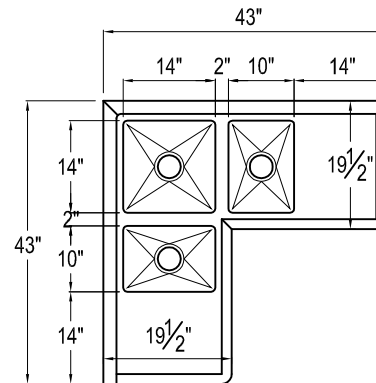
MADE IN
THE U.S.A.
CERTIFIED
TO ANSI

STANDARD SPECIFICATIONS

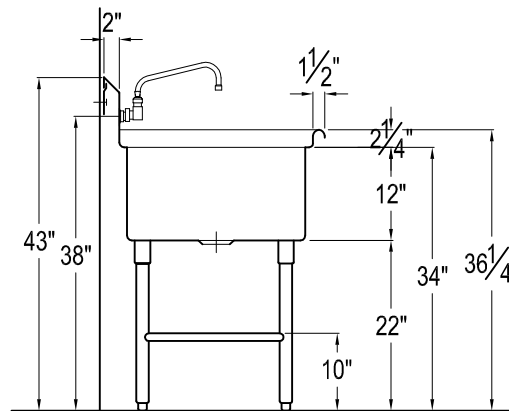
N.S.F. SINKS ARE CONSTRUCTED OF 16 GAUGE, TYPE 304 STAINLESS STEEL POLISHED TO A # 4 FINISH. EACH SINK IS WELDED AND POLISHED TO FORM A ONE PIECE SANITARY UNIT WITH ALL INSIDE CORNERS COVERED TO COMPLY WITH N.S.F. STANDARD NO. 2. THE FRONT AND BOTH ENDS ARE FINISHED WITH A 1.5" DIAMETER SANITARY ROLLED EDGE. THE 9" HIGH BACKSPASH HAS A 2" RETURN TO THE WALL AT 45 DEGREES AND A 0.75" TURN-DOWN WITH WALL CLIPS. CENTER BASKET DRAINS WITH 1.5" IPS OUTLETS ARE FURNISHED. STAINLESS STEEL N.S.F. LEG SOCKETS ARE WELDED TO THE THE BOTTOM OF THE SINKS. "H" LEGS ARE 1.625" O.D. STAINLESS STEEL TUBING. FEET ARE N.S.F. ADJUSTABLE BULLET TYPE.



MOD: 3C-53-18D
PRICE: \$ 2,985.00



MOD: 3C-43-14D
PRICE: \$ 2,740.00



USE FOR ARCHITECT / ENGINEER / CONTRACTOR APPROVAL

JOB NAME _____ DATE _____

MODEL No. _____ QTY _____

CUSTOMER _____

CONTRACTOR _____

ARCHITECT / ENGINEER _____



MADE IN
THE U.S.A.
CERTIFIED
TO ANSI

STANDARD SPECIFICATIONS

N.S.F. SINKS ARE CONSTRUCTED OF 16 GAUGE, TYPE 304 STAINLESS STEEL POLISHED TO A # 4 FINISH. EACH SINK IS WELDED AND POLISHED TO FORM A ONE PIECE SANITARY UNIT WITH ALL INSIDE CORNERS COVED TO COMPLY WITH N.S.F. STANDARD NO. 2. THE FRONT AND BOTH ENDS ARE FINISHED WITH A 1.5" DIAMETER SANITARY ROLLED EDGE. THE 9" HIGH BACKSPLASH HAS A 2" RETURN TO THE WALL AT 45 DEGREES AND A 0.75" TURN-DOWN WITH WALL CLIPS. CENTER BASKET DRAINS WITH 1.5" IPS OUTLETS ARE FURNISHED. STAINLESS STEEL N.S.F. LEG SOCKETS ARE WELDED TO THE THE BOTTOM OF THE SINKS. "H" LEGS ARE 1.625" O.D. STAINLESS STEEL TUBING. FEET ARE N.S.F. ADJUSTABLE BULLET TYPE.