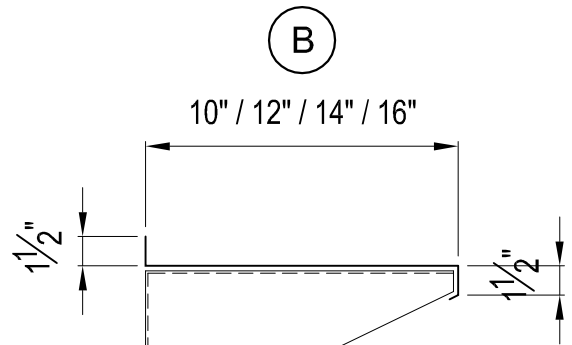
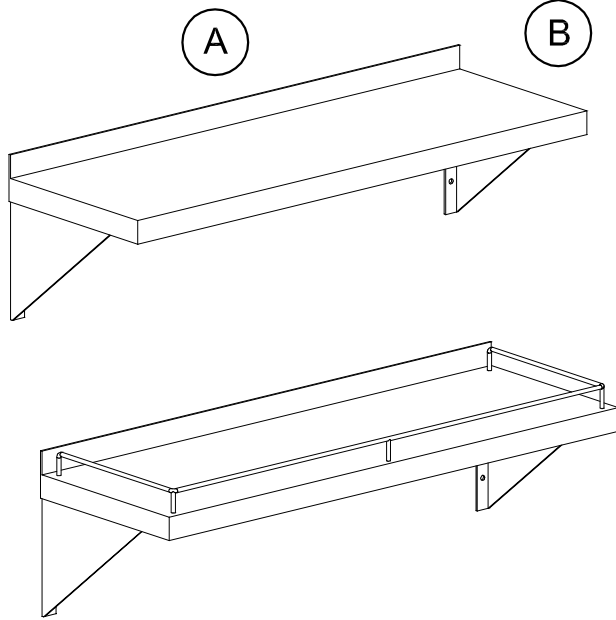


Made in the US since 1941

HEAVY DUTY STAINLESS STEEL WALL MTD SHELVES

Model: WSB



SPECIFICATIONS

- CONSTRUCTED OF 16 GAUGE T-304 STAINLESS STEEL WITH #4 FINISH
- REAR EDGE TURN UP 1.50" AND FRONT EDGE TURN DOWN 1.50"
- STAINLESS STEEL WALL BRACKETS ARE SHIPPED LOOSE
- S/S SEISMIC ROD AVAILABLE AT AN ADDITIONAL COST PER FOOT REQ

CUSTOM SIZE ORDER

MODEL WSB

(A) _____ (B) _____



T-304 N.S.F.
CONSTRUCTION

FRONT TO BACK MEASUREMENT

SHELF LENGTH	10" SHELVING		12" SHELVING		14" SHELVING		16" SHELVING		WALL BRK'T QTY.
	LIST	WT.	LIST	WT.	LIST	WT.	LIST	WT.	
2'	\$ 346.00	10	\$ 356.00	12	\$ 368.00	16	\$ 376.00	18	2
3'	\$ 364.00	13	\$ 376.00	15	\$ 390.00	19	\$ 400.00	21	2
4'	\$ 382.00	16	\$ 396.00	18	\$ 412.00	22	\$ 426.00	24	2
5'	\$ 400.00	19	\$ 418.00	22	\$ 470.00	25	\$ 452.00	27	2
6'	\$ 428.00	23	\$ 452.00	25	\$ 492.00	30	\$ 494.00	32	3
7'	\$ 446.00	26	\$ 474.00	28	\$ 514.00	33	\$ 520.00	35	3
8'	\$ 464.00	29	\$ 496.00	31	\$ 536.00	36	\$ 546.00	38	3
9'	\$ 482.00	32	\$ 518.00	34	\$ 558.00	39	\$ 582.00	41	3
10'	\$ 510.00	36	\$ 552.00	38	\$ 594.00	44	\$ 624.00	46	4
11'	\$ 528.00	39	\$ 574.00	41	\$ 616.00	47	\$ 650.00	49	4
12'	\$ 546.00	42	\$ 596.00	44	\$ 636.00	50	\$ 676.00	52	4

USE FOR ARCHITECT / ENGINEER / CONTRACTOR APPROVAL

Job name _____

Date _____ QTY _____ Contractor _____

Model No. _____ Customer _____ Architect/Engineer _____

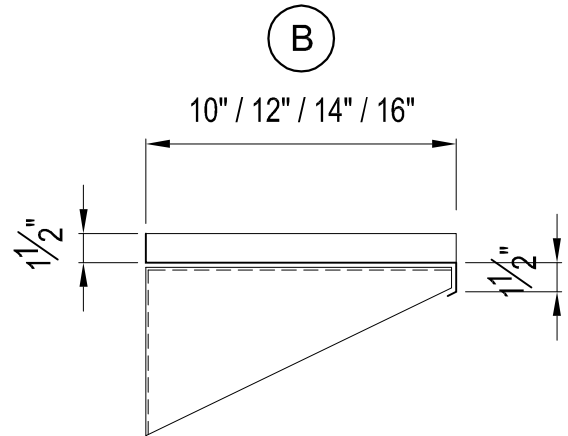
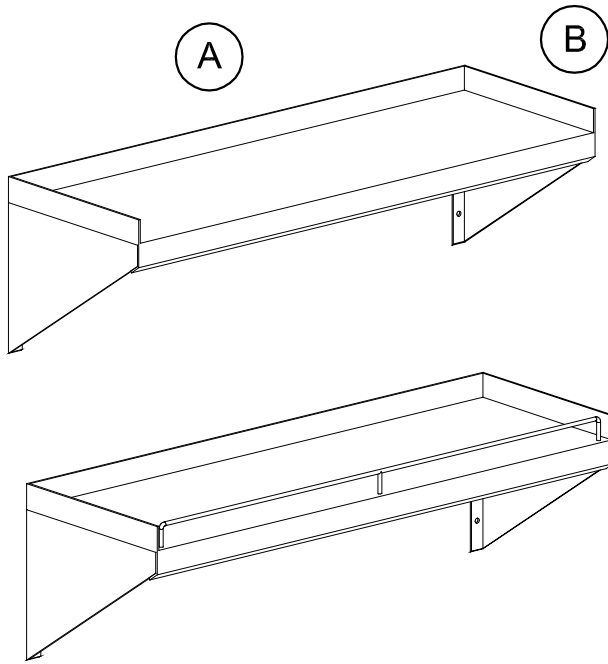


Performance Through Stainless!

43 South Linden Ave South San Francisco CA 94080 Ph (650) 589-4231 Fax (650) 589-3981 www.berlinusa.com

HEAVY DUTY STAINLESS STEEL WALL MTD SHELVES

Model: WSA



SPECIFICATIONS

- CONSTRUCTED OF 16 GAUGE T-304 STAINLESS STEEL WITH #4 FINISH
- REAR EDGE TURN UP 1.50" AND FRONT EDGE TURN DOWN 1.50"
- STAINLESS STEEL WALL BRACKETS ARE SHIPPED LOOSE
- S/S SEISMIC ROD AVAILABLE AT AN ADDITIONAL COST PER FOOT REQ

CUSTOM SIZE ORDER

MODEL WSA



T-304 N.S.F.
CONSTRUCTION

FRONT TO BACK MEASUREMENT

SHELF LENGTH	10" SHELVING		12" SHELVING		14" SHELVING		16" SHELVING		WALL BRK'T QTY.
	LIST	WT.	LIST	WT.	LIST	WT.	LIST	WT.	
2'	\$ 346.00	10	\$ 356.00	12	\$ 368.00	16	\$ 376.00	18	2
3'	\$ 364.00	13	\$ 376.00	15	\$ 390.00	19	\$ 400.00	21	2
4'	\$ 382.00	16	\$ 396.00	18	\$ 412.00	22	\$ 426.00	24	2
5'	\$ 400.00	19	\$ 418.00	22	\$ 470.00	25	\$ 452.00	27	2
6'	\$ 428.00	23	\$ 452.00	25	\$ 492.00	30	\$ 494.00	32	3
7'	\$ 446.00	26	\$ 474.00	28	\$ 514.00	33	\$ 520.00	35	3
8'	\$ 464.00	29	\$ 496.00	31	\$ 536.00	36	\$ 546.00	38	3
9'	\$ 482.00	32	\$ 518.00	34	\$ 558.00	39	\$ 582.00	41	3
10'	\$ 510.00	36	\$ 552.00	38	\$ 594.00	44	\$ 624.00	46	4
11'	\$ 528.00	39	\$ 574.00	41	\$ 616.00	47	\$ 650.00	49	4
12'	\$ 546.00	42	\$ 596.00	44	\$ 636.00	50	\$ 676.00	52	4

USE FOR ARCHITECT / ENGINEER / CONTRACTOR APPROVAL

Job name _____

Date _____ QTY _____ Contractor _____

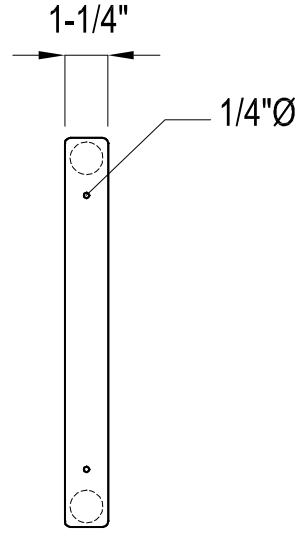
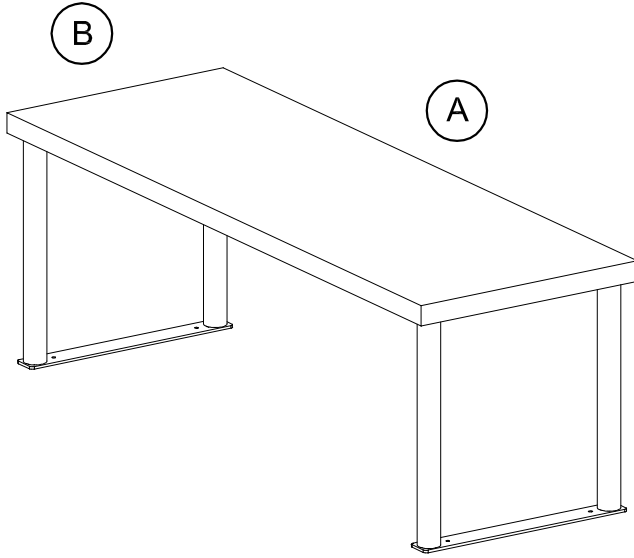
Model No. _____ Customer _____ Architect/Engineer _____



Performance Through Stainless!

HEAVY DUTY S/S TABLE MOUNTED SHELVES

Model: TS-1



SPECIFICATIONS

- CONSTRUCTED OF 16 GAUGE T-304 STAINLESS STEEL WITH #4 FINISH
- REAR EDGE TURN UP 1.50" AND FRONT EDGE TURN DOWN 1.50"
- POSTS ARE 1" OD STAINLESS STEEL TUBE WITH INTERNAL THREADED FASTENERS AT THE BOTTOM TO ALLOW BOLTING SHELF TO TABLE TOPS FROM BELOW.
- SHELF IS REINFORCED WITH S/S HAT CHANNELS
- OPTIONAL MOUNTING PADS OR SPECIAL BRACKETS AVAILABLE

CUSTOM SIZE ORDER

MODEL TS-1



T-304 N.S.F.
CONSTRUCTION

FRONT TO BACK MEASUREMENT

SHELF LENGTH	12" SHELVING		14" SHELVING		16" SHELVING	
	LIST	WT.	LIST	WT.	LIST	WT.
2'	\$ 612.00	24	\$ 699.00	27	\$ 707.00	30
3'	\$ 716.00	28	\$ 727.00	31	\$ 738.00	34
4'	\$ 738.00	32	\$ 752.00	35	\$ 766.00	38
5'	\$ 766.00	36	\$ 786.00	39	\$ 805.00	42
6'	\$ 797.00	40	\$ 816.00	43	\$ 836.00	46
7'	\$ 923.00	51	\$ 945.00	54	\$ 968.00	57
8'	\$ 951.00	55	\$ 979.00	58	\$ 697.00	61
9'	\$ 979.00	59	\$ 1,012.00	62	\$ 1,046.00	65
10'	\$ 1,110.00	63	\$ 1,043.00	66	\$ 1,077.00	69
11'	\$ 1,038.00	67	\$ 1,080.00	70	\$ 1,122.00	73
12'	\$ 1,068.00	71	\$ 1,108.00	73	\$ 1,147.00	76

USE FOR ARCHITECT / ENGINEER / CONTRACTOR APPROVAL

Job name _____

Date _____ QTY _____ Contractor _____

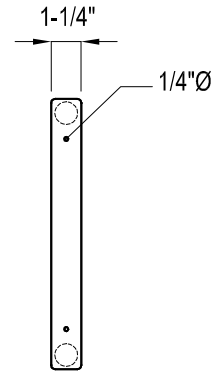
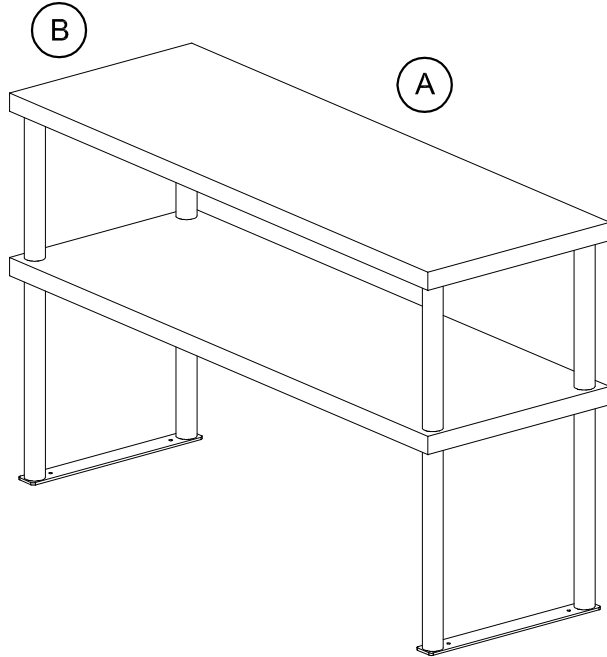
Model No. _____ Customer _____ Architect/Engineer _____



Performance Through Stainless!

HEAVY DUTY S/S TABLE MOUNTED SHELVES

Model: TS-2



MOD: _____ TS-2 _____
 A B

SPECIFICATIONS

- CONSTRUCTED OF 16 GAUGE T-304 STAINLESS STEEL WITH #4 FINISH
- REAR EDGE TURN UP 1.50" AND FRONT EDGE TURN DOWN 1.50"
- POSTS ARE 1" OD STAINLESS STEEL TUBE WITH INTERNAL THREADED FASTENERS AT THE BOTTOM TO ALLOW BOLTING SHELF TO TABLE TOPS FROM BELOW.
- SHELF IS REINFORCED WITH S/S HAT CHANNELS
- OPTIONAL MOUNTING PADS OR SPECIAL BRACKETS AVAILABLE

CUSTOM SIZE ORDER

MODEL TS-2

(A) _____ (B) _____



T-304 N.S.F. CONSTRUCTION

FRONT TO BACK MEASUREMENT

SHELF LENGTH	12" SHELVING		14" SHELVING		16" SHELVING	
	LIST	WT.	LIST	WT.	LIST	WT.
2'	\$ 853.00	46	\$ 881.00	54	\$ 943.00	62
3'	\$ 909.00	54	\$ 937.00	62	\$ 979.00	70
4'	\$ 965.00	62	\$ 993.00	70	\$ 1,021.00	78
5'	\$ 1,021.00	70	\$ 1,054.00	78	\$ 1,088.00	86
6'	\$ 1,077.00	78	\$ 1,118.00	86	\$ 1,161.00	94
7'	\$ 1,253.00	94	\$ 1,304.00	102	\$ 1,454.00	110
8'	\$ 1,309.00	102	\$ 1,365.00	110	\$ 1,421.00	118
9'	\$ 1,365.00	110	\$ 1,430.00	118	\$ 1,494.00	126
10'	\$ 1,421.00	118	\$ 1,490.00	126	\$ 1,561.00	134
11'	\$ 1,477.00	126	\$ 1,553.00	134	\$ 1,628.00	142
12'	\$ 1,533.00	134	\$ 1,617.00	142	\$ 1,704.00	150

USE FOR ARCHITECT / ENGINEER / CONTRACTOR APPROVAL

Job name _____

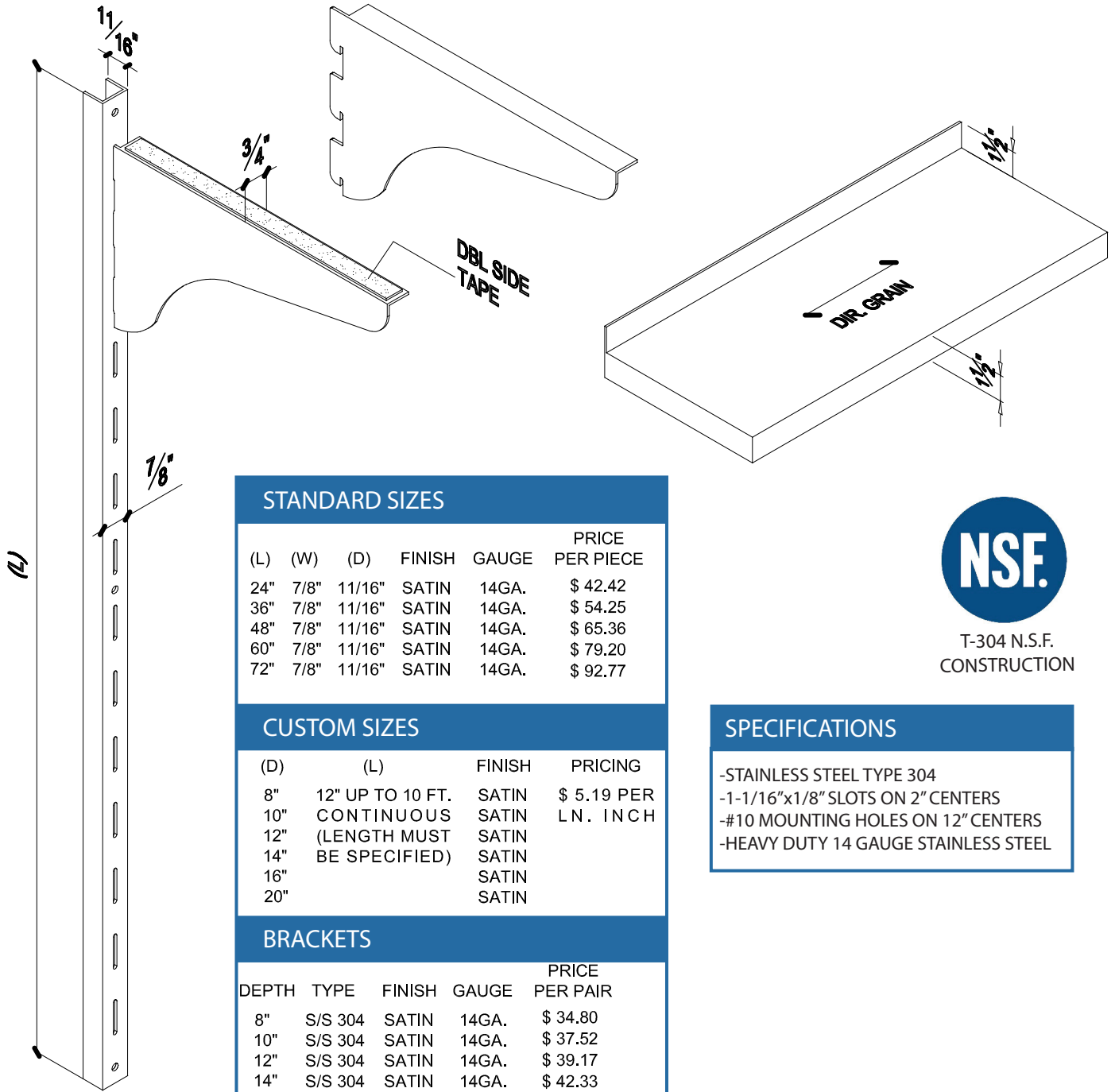
Date _____ QTY _____ Contractor _____

Model No. _____ Customer _____ Architect/Engineer _____



Performance Through Stainless!

HEAVY DUTY ADJUSTABLE S/S SHELVING SYSTEM



STANDARD SIZES					
(L)	(W)	(D)	FINISH	GAUGE	PRICE PER PIECE
24"	7/8"	11/16"	SATIN	14GA.	\$ 42.42
36"	7/8"	11/16"	SATIN	14GA.	\$ 54.25
48"	7/8"	11/16"	SATIN	14GA.	\$ 65.36
60"	7/8"	11/16"	SATIN	14GA.	\$ 79.20
72"	7/8"	11/16"	SATIN	14GA.	\$ 92.77

CUSTOM SIZES			
(D)	(L)	FINISH	PRICING
8"	12" UP TO 10 FT.	SATIN	\$ 5.19 PER
10"	CONTINUOUS	SATIN	L.N. INCH
12"	(LENGTH MUST	SATIN	
14"	BE SPECIFIED)	SATIN	
16"		SATIN	
20"		SATIN	

BRACKETS				
DEPTH	TYPE	FINISH	GAUGE	PRICE PER PAIR
8"	S/S 304	SATIN	14GA.	\$ 34.80
10"	S/S 304	SATIN	14GA.	\$ 37.52
12"	S/S 304	SATIN	14GA.	\$ 39.17
14"	S/S 304	SATIN	14GA.	\$ 42.33
16"	S/S 304	SATIN	14GA.	\$ 44.60
20"	S/S 304	SATIN	14 GA.	\$ 51.44

(INCLUDED ANTI-MICROBIAL DOUBLE SIDED TAPE)



T-304 N.S.F. CONSTRUCTION

SPECIFICATIONS
-STAINLESS STEEL TYPE 304
-1-1/16"x1/8" SLOTS ON 2" CENTERS
-#10 MOUNTING HOLES ON 12" CENTERS
-HEAVY DUTY 14 GAUGE STAINLESS STEEL

USE FOR ARCHITECT / ENGINEER / CONTRACTOR APPROVAL

Job name _____

Date _____ QTY _____ Contractor _____

Model No. _____ Customer _____ Architect/Engineer _____



Performance Through Stainless!