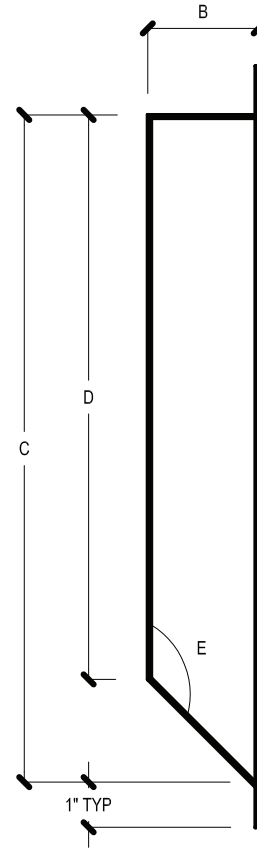
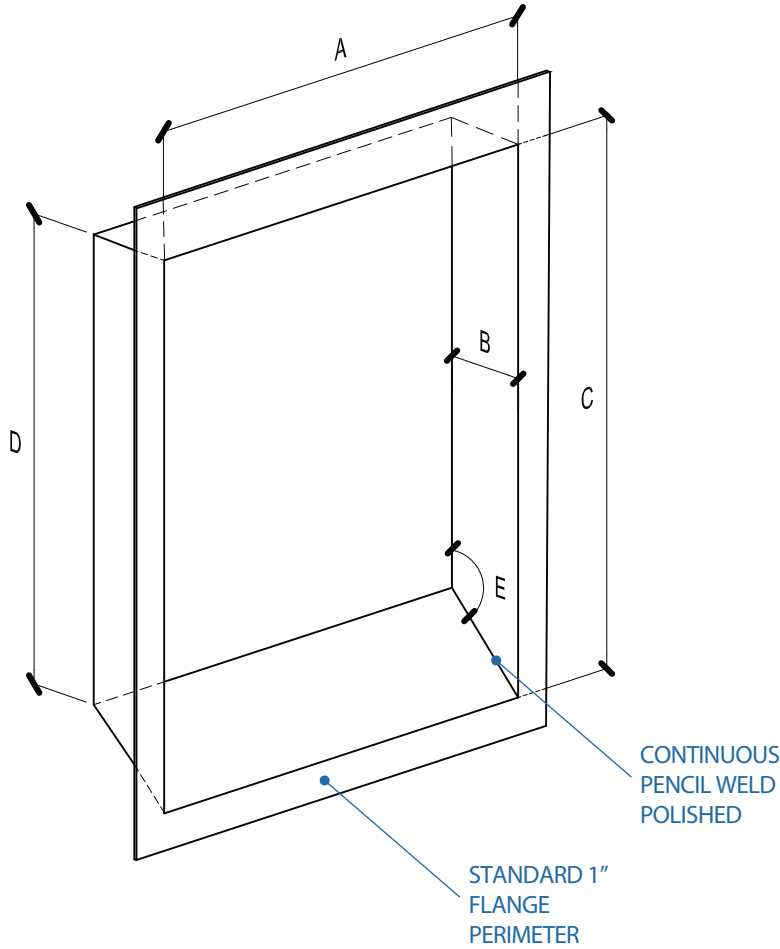


# FLUSH MOUNT OPEN VALVE BOX WITH FLANGE



T-304 N.S.F.  
CONSTRUCTION



**OPTIONS**

T-304 STAINLESS #4 FINISH

T-316 STAINLESS #4 FINISH

IF CUT-OUTS REQUIRED, PLEASE  
SUBMIT DIMENSIONAL INFORMATION

DIMENSIONAL SUBMITTAL			
A _____	A _____	A _____	A _____
B _____	B _____	B _____	B _____
C _____	C _____	C _____	C _____
D/E _____	D/E _____	D/E _____	D/E _____
QNTY ____	QNTY ____	QNTY ____	QNTY ____



USE FOR ARCHITECT / ENGINEER / CONTRACTOR APPROVAL

Job name \_\_\_\_\_

Date \_\_\_\_\_ QTY \_\_\_\_\_ Contractor \_\_\_\_\_

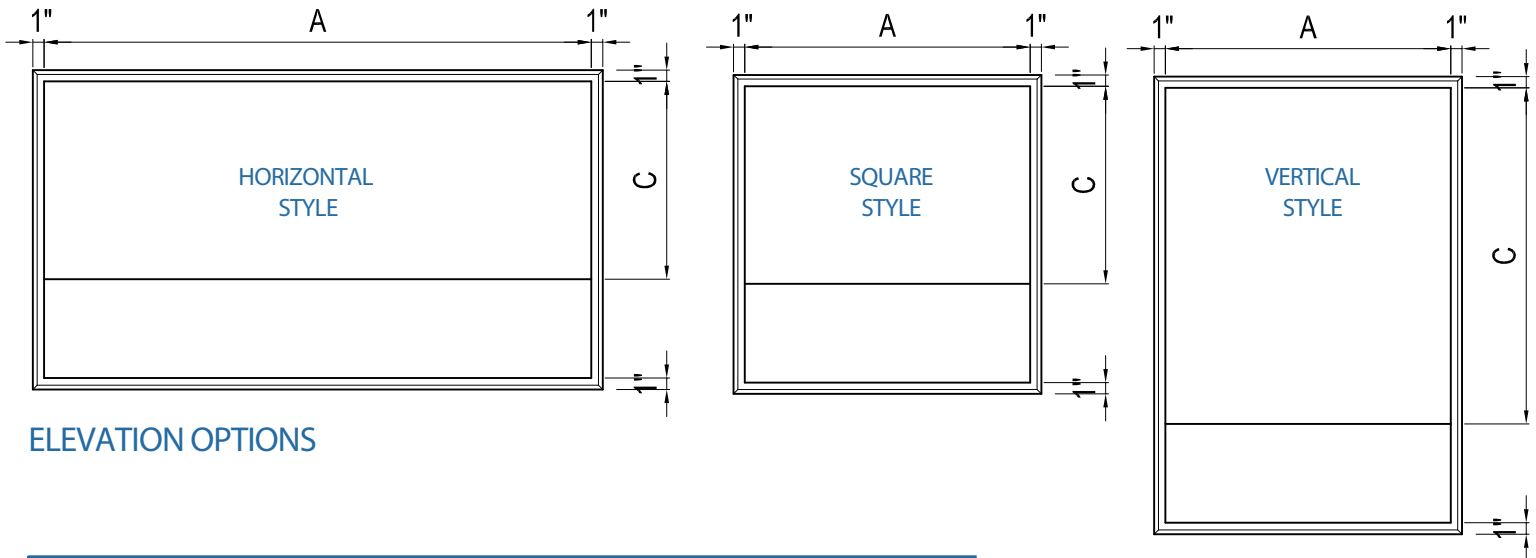
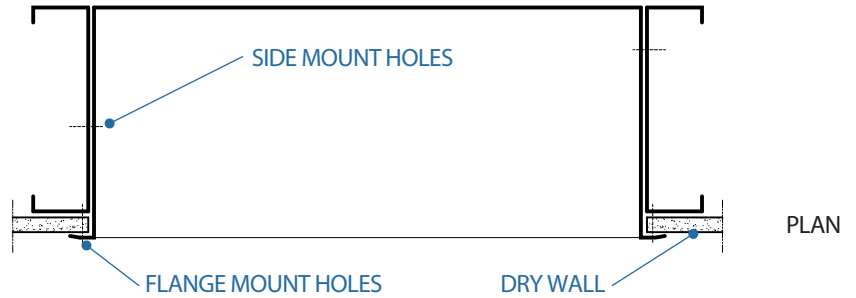
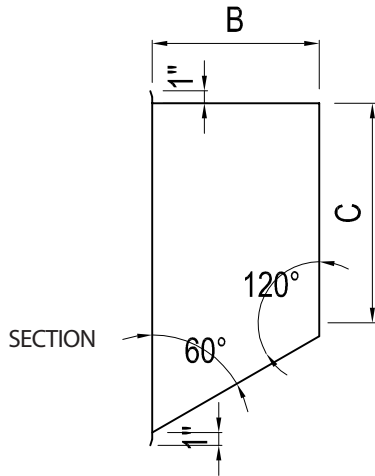
Model No. \_\_\_\_\_ Customer \_\_\_\_\_ Architect/Engineer \_\_\_\_\_



Performance Through Stainless!

# S/S RECESSED CLEAN ROOM VALVE BOXES

## 16 GA. STAINLESS STEEL HEAVY DUTY CONSTRUCTION



### ELEVATION OPTIONS

#### SPECIFICATIONS

- 14 GAUGE TYPE 304 (STANDARD) T-316 AVAILABLE UPON REQUEST
- ALL INTERIOR WELDS GRIND SMOOTH AND POLISHED SMOOTH TO #4 SATIN FINISH
- STANDARD 1" PERIMETER FLANGE WELDED AND POLISHED SMOOTH #4 FINISH
- STANDARD DEPTHS ARE 4" AND 6", CUSTOM DEPTH AVAILABLE UPON REQUEST
- FLANGES MAY HAVE HOLES PUNCHED AND COUNTER SUNK OR STUDDED
- OPTIONAL REMOVABLE PANBEL SOLID STAINLESS OR POLY CARBONATE

USE FOR ARCHITECT / ENGINEER / CONTRACTOR APPROVAL

Job name \_\_\_\_\_

Date \_\_\_\_\_ QTY \_\_\_\_\_ Contractor \_\_\_\_\_

Model No. \_\_\_\_\_ Customer \_\_\_\_\_ Architect/Engineer \_\_\_\_\_



### Performance Through Stainless!

43 South Linden Ave South San Francisco CA 94080 Ph (650) 589-4231 Fax (650) 589-3981 www.berlinusa.com