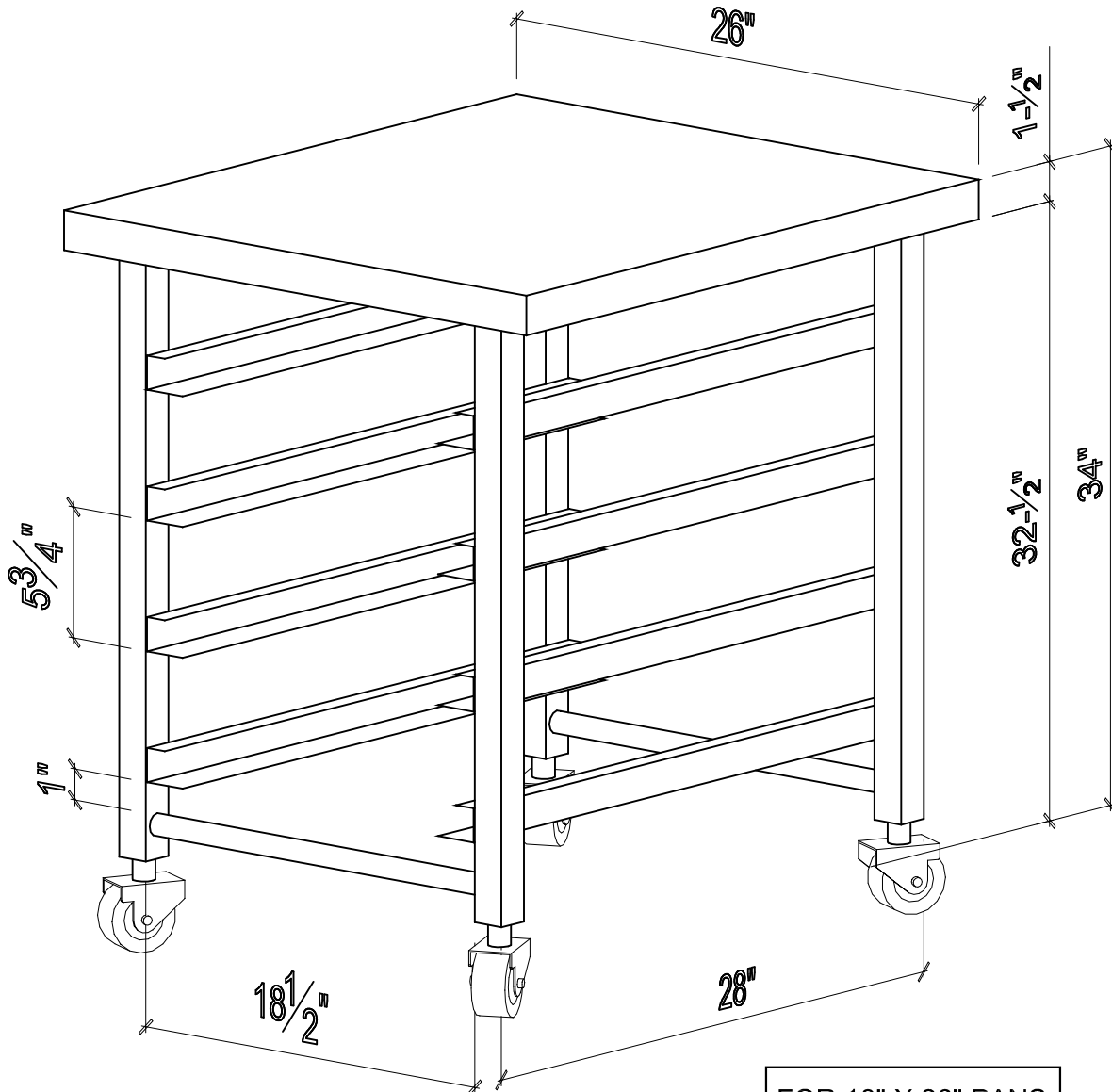




MADE IN  
THE U.S.A.  
CERTIFIED  
TO ANSI



FOR 18" X 26" PANS

## SPECIFICATIONS

STA-PRO #SOL-705 MOBILE UTILITY TABLES ARE CONSTRUCTED WITH A FULL PERIMETER HEAVY ANGLE IRON FRAME TO SUPPORT THE 16 GA. TYPE #304 STAINLESS STEEL SOUND DEADENED TOP. LEGS ARE 1.5" SQUARE O.D. STAINLESS STEEL TUBE FITTED WITH FOUR (4) 5" DIAMETER HEAVY DUTY BALL BEARING SWIVEL CASTERS WITH NON-MARKING RUBBER TIRES, TWO (2) CASTERS FITTED WITH BRAKES. THE SLIDES ARE 14 GA. STAINLESS STEEL CHANNEL TYPE TO ACCOMODATE STANDARD 18" X 26" SHEET PANS ON 5-3/4" CENTERS. FOUR PAIRS OF SLIDES PROVIDED, WELDED TO UPRIGHTS.