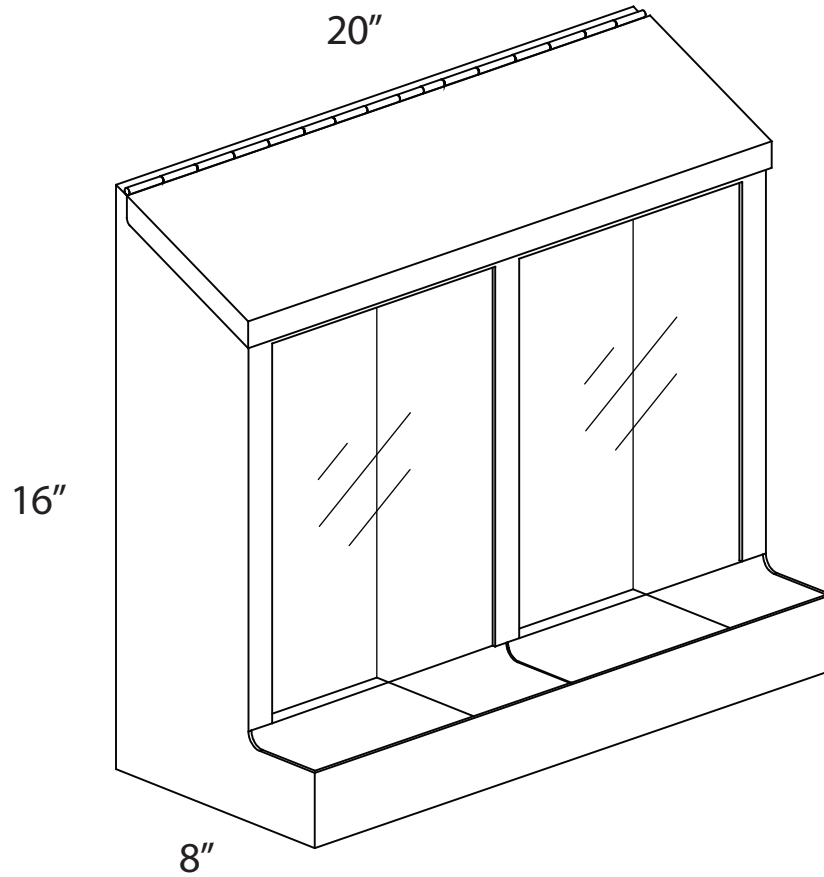


Made in the US since 1941

WALL MOUNTED CLEAR VIEW DISPENSER

MODEL NO. SM-QRS46

T-304 N.S.F.
CONSTRUCTION



USE FOR ARCHITECT / ENGINEER / CONTRACTOR APPROVAL

Job name _____

Date _____ QTY _____ Contractor _____

Model No. _____ Customer _____ Architect/Engineer _____



Performance Through Stainless!

43 South Linden Ave South San Francisco CA 94080 Ph (650) 589-4231 Fax (650) 589-3981 www.berlinusa.com