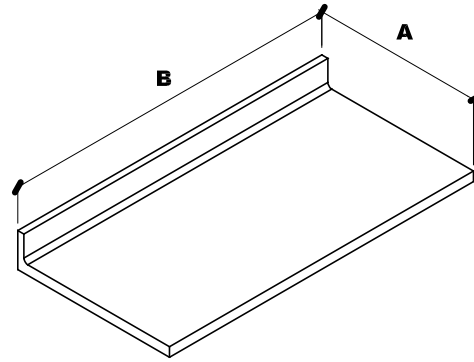
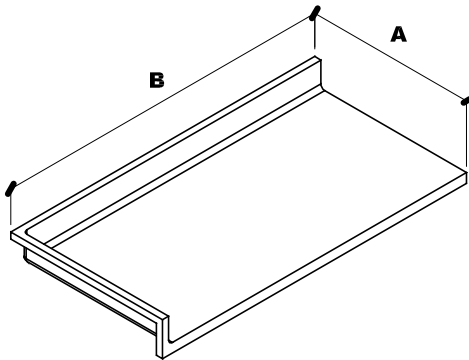


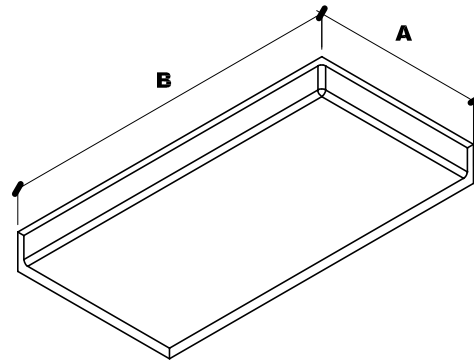
NO SPLASH



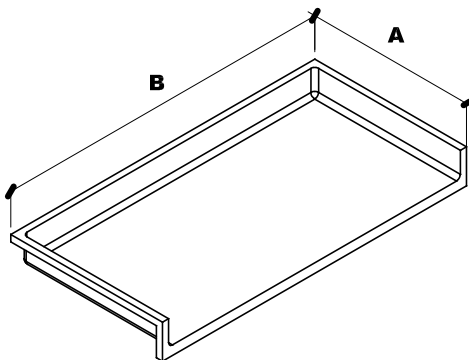
BACK SPLASH ONLY



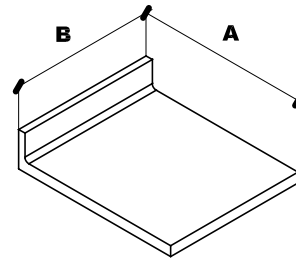
BACK & LEFT SPLASH



BACK & RIGHT SPLASH



BACK, LEFT & RIGHT SPLASH



END SPLASH LEFT TO RIGHT



MADE IN  
THE U.S.A  
CERTIFIED  
TO ANSI

USE FOR ARCHITECT / ENGINEER / CONTRACTOR APPROVAL

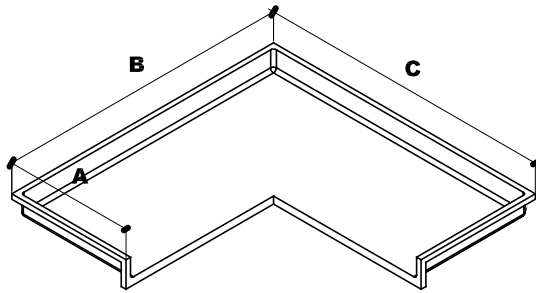
JOB NAME \_\_\_\_\_ DATE \_\_\_\_\_

MODEL No. \_\_\_\_\_ QTY \_\_\_\_\_

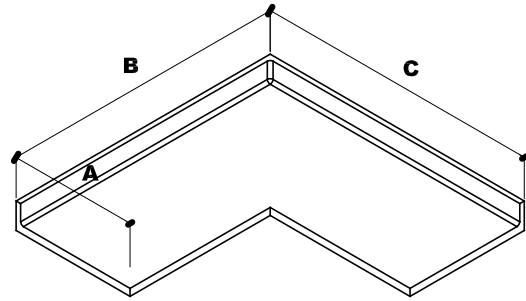
CUSTOMER \_\_\_\_\_

CONTRACTOR \_\_\_\_\_

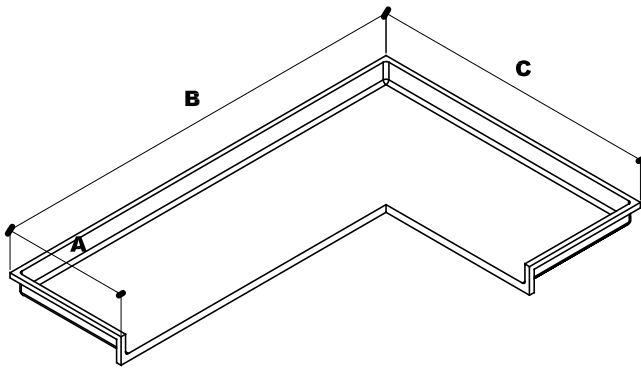
ARCHITECT / ENGINEER \_\_\_\_\_



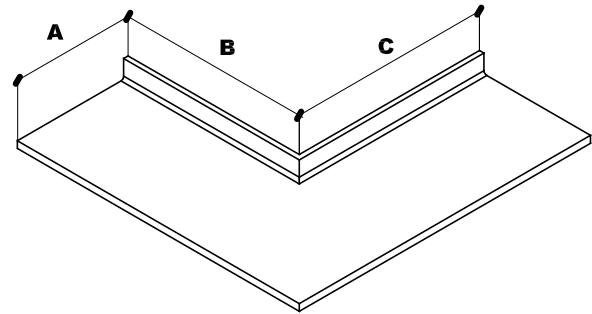
INSIDE CORNER FULL SPLASH



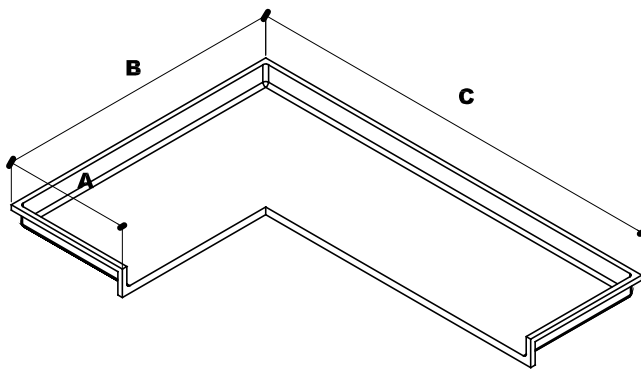
INSIDE CORNER  
 BACK SPLASH ONLY



INSIDE CORNER FULL SPLASH  
 LONG LEFT LEG



OUTSIDE CORNER  
 BACK SPLASH ONLY



INSIDE CORNER FULL SPLASH  
 LONG RIGHT LEG



MADE IN  
 THE U.S.A  
 CERTIFIED  
 TO ANSI

USE FOR ARCHITECT / ENGINEER / CONTRACTOR APPROVAL

JOB NAME \_\_\_\_\_ DATE \_\_\_\_\_

MODEL No. \_\_\_\_\_ QTY \_\_\_\_\_

CUSTOMER \_\_\_\_\_

CONTRACTOR \_\_\_\_\_

ARCHITECT / ENGINEER \_\_\_\_\_