

USE FOR ARCHITECT / ENGINEER / CONTRACTOR APPROVAL

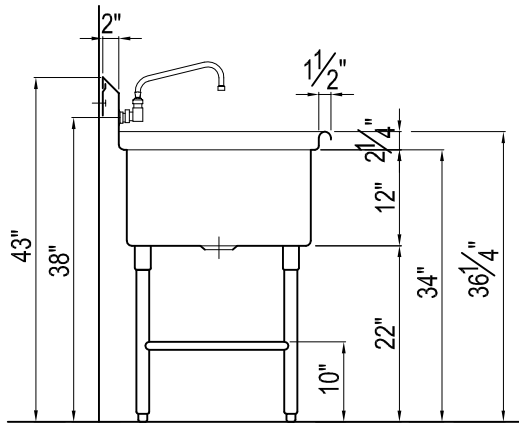
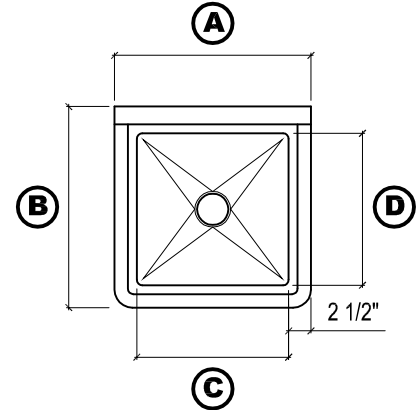
JOB NAME _____ DATE _____

MODEL No. _____ QTY _____

CUSTOMER _____

CONTRACTOR _____

ARCHITECT / ENGINEER _____



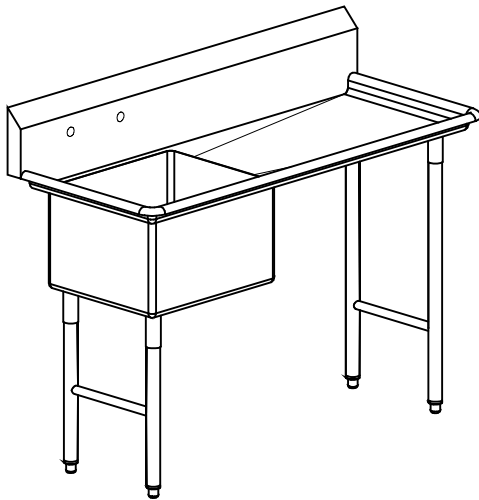
MADE IN THE U.S.A. CERTIFIED TO ANSI

DIMENSIONAL DATA & LIST PRICING

MODEL NO.	OVERALL		TUB SIZE		DRAINBOARD	NET WT.	LIST PRICE
	"A"	"B"	"C"	"D"			
1N18	23"	23.5"	18"	18"	NONE	40 #	\$ 1,301.00
1N1823	23"	28.5"	18"	23"	NONE	44 #	\$ 1,392.00
1N23	28"	28.5"	23"	23"	NONE	50 #	\$ 1,446.00
1N2923	34"	28.5"	29"	23"	NONE	57 #	\$ 1,500.00
1N29	34"	34.5"	29"	29"	NONE	63 #	\$ 1,608.00

STANDARD SPECIFICATIONS

N.S.F. SINKS ARE CONSTRUCTED OF 16 GAUGE, TYPE 304 STAINLESS STEEL POLISHED TO A # 4 FINISH. EACH SINK IS WELDED AND POLISHED TO FORM A ONE PIECE SANITARY UNIT WITH ALL INSIDE CORNERS COVERED TO COMPLY WITH N.S.F. STANDARD NO. 2. THE FRONT AND BOTH ENDS ARE FINISHED WITH A 1.5" DIAMETER SANITARY ROLLED EDGE. THE 9" HIGH BACKSPASH HAS A 2" RETURN TO THE WALL AT 45 DEGREES AND A 0.75" TURN-DOWN WITH WALL CLIPS. CENTER BASKET DRAINS WITH 1.5" IPS OUTLETS ARE FURNISHED. STAINLESS STEEL N.S.F. LEG SOCKETS ARE WELDED TO THE THE BOTTOM OF THE SINKS. "H" LEGS ARE 1.625" O.D. STAINLESS STEEL TUBING. FEET ARE N.S.F. ADJUSTABLE BULLET TYPE.



USE FOR ARCHITECT / ENGINEER / CONTRACTOR APPROVAL

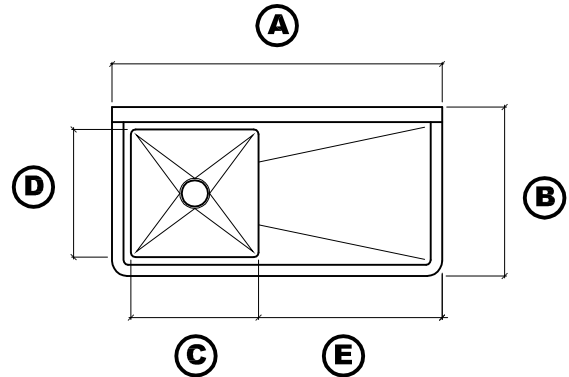
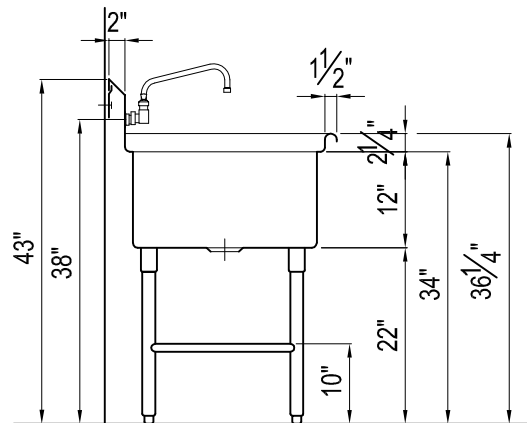
JOB NAME _____ DATE _____

MODEL No. _____ QTY _____

CUSTOMER _____

CONTRACTOR _____

ARCHITECT / ENGINEER _____



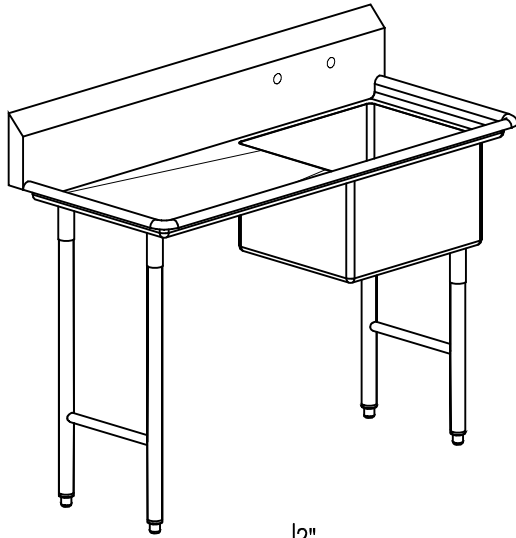
MADE IN THE U.S.A. CERTIFIED TO ANS I

DIMENTIONAL DATA & LIST PRICING

MODEL NO.	OVERALL		TUB SIZE		DRAINBOARD	NET WT.	LIST PRICE
	"A"	"B"	"C"	"D"	"E"		
1N18 - 1D18	38.5"	23.5"	18"	18"	18"	47 #	\$ 1,680.00
1N18 - 1D24	44.5"	23.5"	18"	18"	24"	51 #	\$ 1,716.00
1N1823 - 1D18	38.5"	28.5"	18"	23"	18"	54 #	\$ 1,755.00
1N1823 - 1D24	44.5"	28.5"	18"	23"	24"	58 #	\$ 1,799.00
1N23 - 1D24	49.5"	28.5"	23"	23"	24"	64 #	\$ 1,854.00
1N23 - 1D30	55.5"	28.5"	23"	23"	30"	68 #	\$ 1,899.00
1N2923 - 1D30	61.5"	28.5"	29"	23"	30"	77 #	\$ 1,953.00
1N2923 - 1D36	67.5"	28.5"	29"	23"	36"	81 #	\$ 2,011.00
1N29 - 1D30	61.5"	34.5"	29"	29"	30"	86 #	\$ 2,097.00
1N29 - 1D36	67.5"	34.5"	29"	29"	36"	91 #	\$ 2,162.00

STANDARD SPECIFICATIONS

N.S.F. SINKS ARE CONSTRUCTED OF 16 GAUGE, TYPE 304 STAINLESS STEEL POLISHED TO A # 4 FINISH. EACH SINK IS WELDED AND POLISHED TO FORM A ONE PIECE SANITARY UNIT WITH ALL INSIDE CORNERS COVED TO COMPLY WITH N.S.F. STANDARD NO. 2. THE FRONT AND BOTH ENDS ARE FINISHED WITH A 1.5" DIAMETER SANITARY ROLLED EDGE. THE 9" HIGH BACKSPASH HAS A 2" RETURN TO THE WALL AT 45 DEGREES AND A 0.75" TURN-DOWN WITH WALL CLIPS. CENTER BASKET DRAINS WITH 1.5" IPS OUTLETS ARE FURNISHED. STAINLESS STEEL N.S.F. LEG SOCKETS ARE WELDED TO THE THE BOTTOM OF THE SINKS. "H" LEGS ARE 1.625" O.D. STAINLESS STEEL TUBING. FEET ARE N.S.F. ADJUSTABLE BULLET TYPE.



USE FOR ARCHITECT / ENGINEER / CONTRACTOR APPROVAL

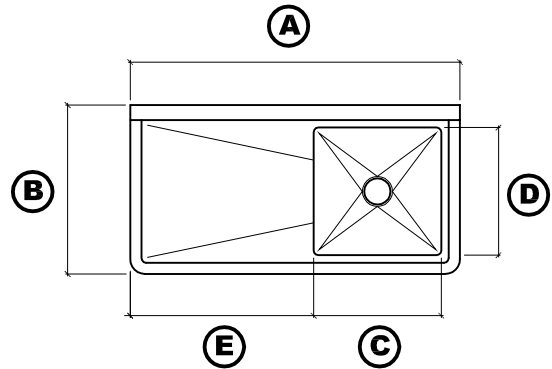
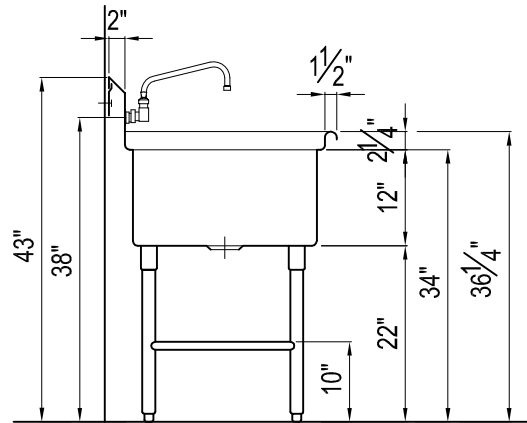
JOB NAME _____ DATE _____

MODEL No. _____ QTY _____

CUSTOMER _____

CONTRACTOR _____

ARCHITECT / ENGINEER _____



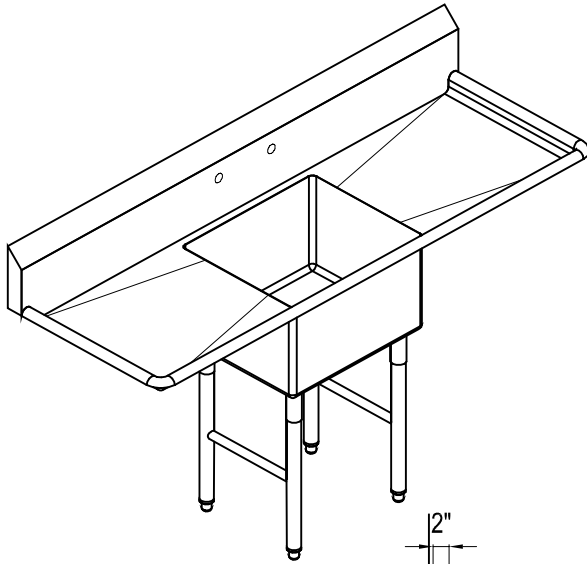
MADE IN THE U.S.A. CERTIFIED TO ANSI

DIMENTIONAL DATA & LIST PRICING

MODEL NO.	OVERALL		TUB SIZE		DRAINBOARD	NET WT.	LIST PRICE
	"A"	"B"	"C"	"D"	"E"		
1N18 - 1D18	38.5"	23.5"	18"	18"	18"	47 #	\$ 1,680.00
1N18 - 1D24	44.5"	23.5"	18"	18"	24"	51 #	\$ 1,716.00
1N1823 - 1D18	38.5"	28.5"	18"	23"	18"	54 #	\$ 1,755.00
1N1823 - 1D24	44.5"	28.5"	18"	23"	24"	58 #	\$ 1,799.00
1N23 - 1D24	49.5"	28.5"	23"	23"	24"	64 #	\$ 1,854.00
1N23 - 1D30	55.5"	28.5"	23"	23"	30"	68 #	\$ 1,899.00
1N2923 - 1D30	61.5"	28.5"	29"	23"	30"	77 #	\$ 1,953.00
1N2923 - 1D36	67.5"	28.5"	29"	23"	36"	81 #	\$ 2,011.00
1N29 - 1D30	61.5"	34.5"	29"	29"	30"	86 #	\$ 2,097.00
1N29 - 1D36	67.5"	34.5"	29"	29"	36"	91 #	\$ 2,162.00

STANDARD SPECIFICATIONS

N.S.F. SINKS ARE CONSTRUCTED OF 16 GAUGE, TYPE 304 STAINLESS STEEL POLISHED TO A # 4 FINISH. EACH SINK IS WELDED AND POLISHED TO FORM A ONE PIECE SANITARY UNIT WITH ALL INSIDE CORNERS COVERED TO COMPLY WITH N.S.F. STANDARD NO. 2. THE FRONT AND BOTH ENDS ARE FINISHED WITH A 1.5" DIAMETER SANITARY ROLLED EDGE. THE 9" HIGH BACKSPASH HAS A 2" RETURN TO THE WALL AT 45 DEGREES AND A 0.75" TURN-DOWN WITH WALL CLIPS. CENTER BASKET DRAINS WITH 1.5" IPS OUTLETS ARE FURNISHED. STAINLESS STEEL N.S.F. LEG SOCKETS ARE WELDED TO THE THE BOTTOM OF THE SINKS. "H" LEGS ARE 1.625" O.D. STAINLESS STEEL TUBING. FEET ARE N.S.F. ADJUSTABLE BULLET TYPE.



USE FOR ARCHITECT / ENGINEER / CONTRACTOR APPROVAL

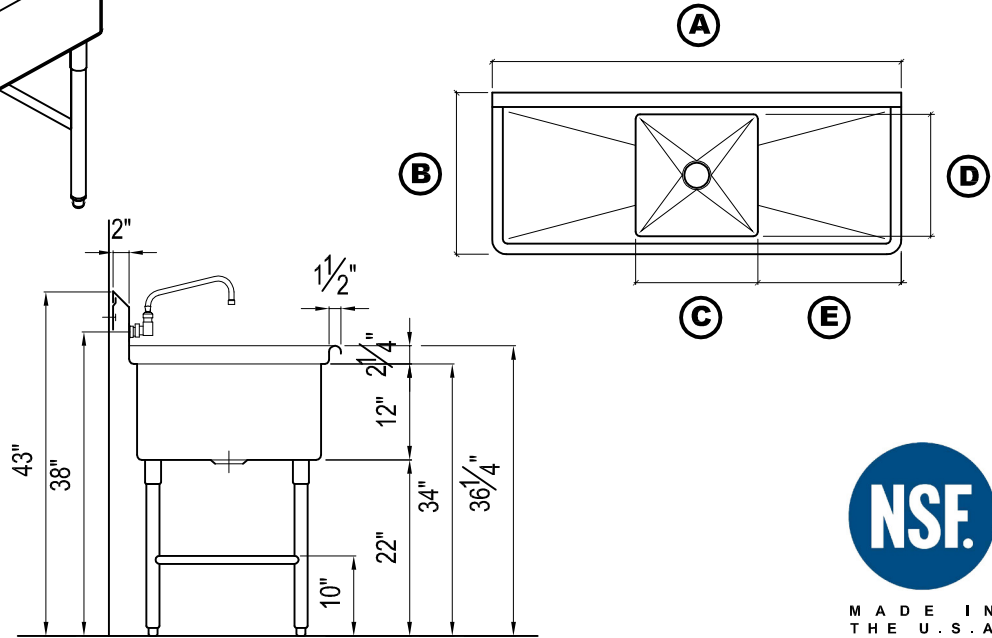
JOB NAME _____ DATE _____

MODEL No. _____ QTY _____

CUSTOMER _____

CONTRACTOR _____

ARCHITECT / ENGINEER _____



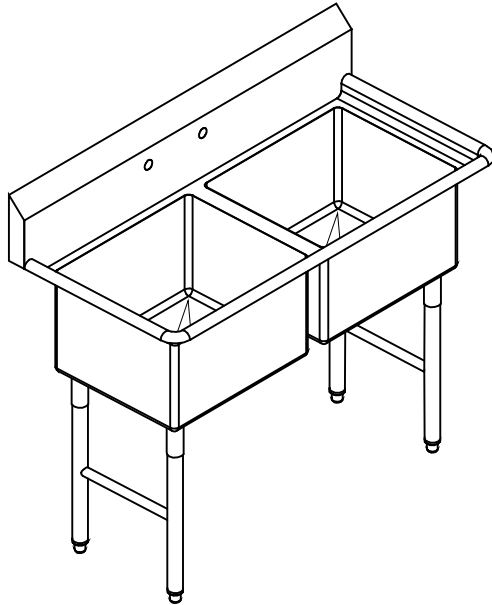
DIMENTIONAL DATA & LIST PRICING

MODEL NO.	OVERALL		TUB SIZE		DRAINBOARD	NET WT.	LIST PRICE
	"A"	"B"	"C"	"D"	"E"		
1N18 - 2D18	54"	23.5"	18"	18"	18"	58 #	\$ 1,892.00
1N18 - 2D24	66"	23.5"	18"	18"	24"	64 #	\$ 1,964.00
1N1823 - 2D18	54"	28.5"	18"	23"	18"	64 #	\$ 1,989.00
1N1823 - 2D24	66"	28.5"	18"	23"	24"	72 #	\$ 2,076.00
1N23 - 2D24	71"	28.5"	23"	23"	24"	78 #	\$ 2,130.00
1N23 - 2D30	83"	28.5"	23"	23"	30"	86 #	\$ 2,223.00
1N2923 - 2D30	89"	28.5"	29"	23"	30"	93 #	\$ 2,277.00
1N2923 - 2D36	101"	28.5"	29"	23"	36"	115 #	\$ 2,592.00
1N29 - 2D30	89"	34.5"	29"	29"	30"	105 #	\$ 2,565.00
* 1N29 - 2D36	101"	34.5"	29"	29"	36"	128 #	\$ 2,895.00

* ADD (2EA) FEET WHEN DRAINBOARD IS 36"

STANDARD SPECIFICATIONS

N.S.F. SINKS ARE CONSTRUCTED OF 16 GAUGE, TYPE 304 STAINLESS STEEL POLISHED TO A # 4 FINISH. EACH SINK IS WELDED AND POLISHED TO FORM A ONE PIECE SANITARY UNIT WITH ALL INSIDE CORNERS COVERED TO COMPLY WITH N.S.F. STANDARD NO. 2. THE FRONT AND BOTH ENDS ARE FINISHED WITH A 1.5" DIAMETER SANITARY ROLLED EDGE. THE 9" HIGH BACKSPASH HAS A 2" RETURN TO THE WALL AT 45 DEGREES AND A 0.75" TURN-DOWN WITH WALL CLIPS. CENTER BASKET DRAINS WITH 1.5" IPS OUTLETS ARE FURNISHED. STAINLESS STEEL N.S.F. LEG SOCKETS ARE WELDED TO THE THE BOTTOM OF THE SINKS. "H" LEGS ARE 1.625" O.D. STAINLESS STEEL TUBING. FEET ARE N.S.F. ADJUSTABLE BULLET TYPE.



USE FOR ARCHITECT / ENGINEER / CONTRACTOR APPROVAL

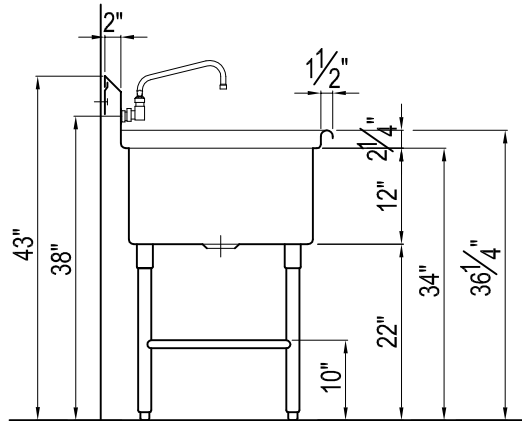
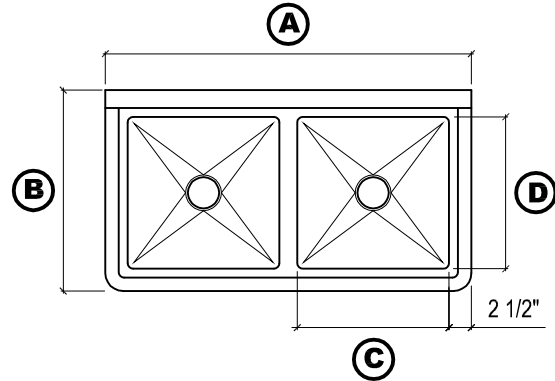
JOB NAME _____ DATE _____

MODEL No. _____ QTY _____

CUSTOMER _____

CONTRACTOR _____

ARCHITECT / ENGINEER _____



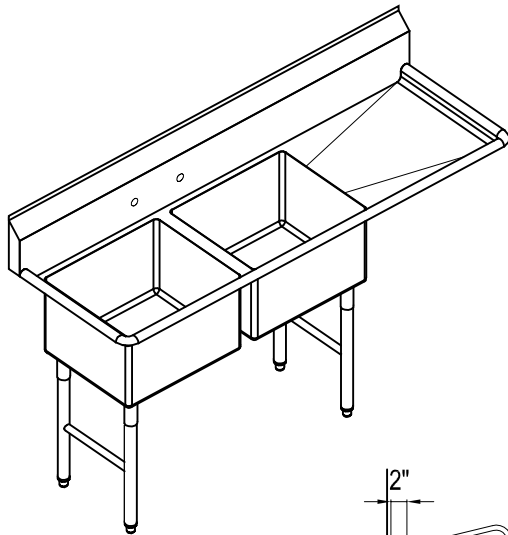
MADE IN THE U.S.A. CERTIFIED TO ANSI

DIMENSIONAL DATA & LIST PRICING

MODEL NO.	OVERALL		TUB SIZE		DRAINBOARD	NET WT.	LIST PRICE
	"A"	"B"	"C"	"D"	"E"		
2N18	43"	23.5"	18"	18"	NONE	64 #	\$ 1,819.00
2N1823	43"	28.5"	18"	23"	NONE	73 #	\$ 1,933.00
2N23	53"	28.5"	23"	23"	NONE	84 #	\$ 2,047.00
2N2923	65"	28.5"	29"	23"	NONE	98 #	\$ 2,218.00
2N29	65"	34.5"	29"	29"	NONE	109 #	\$ 2,389.00

STANDARD SPECIFICATIONS

N.S.F. SINKS ARE CONSTRUCTED OF 16 GAUGE, TYPE 304 STAINLESS STEEL POLISHED TO A # 4 FINISH. EACH SINK IS WELDED AND POLISHED TO FORM A ONE PIECE SANITARY UNIT WITH ALL INSIDE CORNERS COVERED TO COMPLY WITH N.S.F. STANDARD NO. 2. THE FRONT AND BOTH ENDS ARE FINISHED WITH A 1.5" DIAMETER SANITARY ROLLED EDGE. THE 9" HIGH BACKSPASH HAS A 2" RETURN TO THE WALL AT 45 DEGREES AND A 0.75" TURN-DOWN WITH WALL CLIPS. CENTER BASKET DRAINS WITH 1.5" IPS OUTLETS ARE FURNISHED. STAINLESS STEEL N.S.F. LEG SOCKETS ARE WELDED TO THE THE BOTTOM OF THE SINKS. "H" LEGS ARE 1.625" O.D. STAINLESS STEEL TUBING. FEET ARE N.S.F. ADJUSTABLE BULLET TYPE.



USE FOR ARCHITECT / ENGINEER / CONTRACTOR APPROVAL

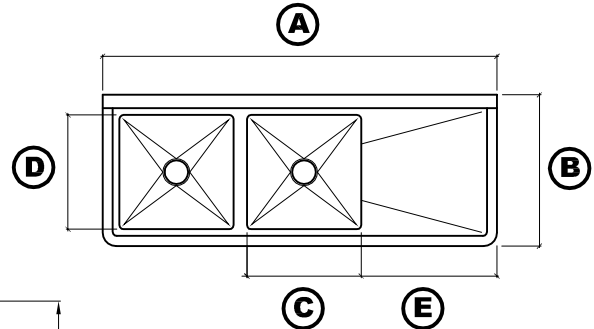
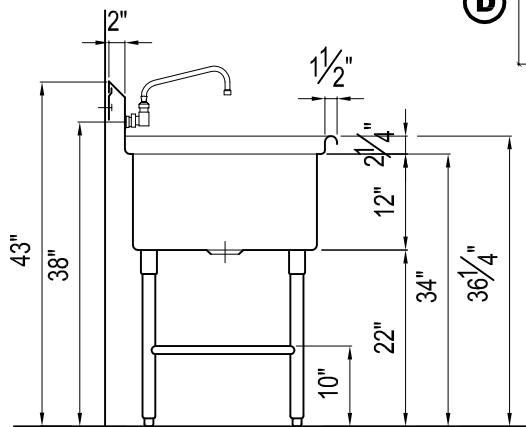
JOB NAME _____ DATE _____

MODEL No. _____ QTY _____

CUSTOMER _____

CONTRACTOR _____

ARCHITECT / ENGINEER _____



MADE IN
THE U.S.A.
CERTIFIED
TO ANS I

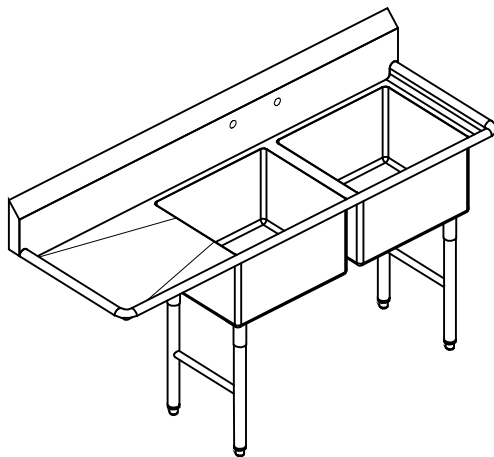
DIMENSIONAL DATA & LIST PRICING

MODEL NO.	OVERALL		TUB SIZE		DRAINBOARD	NET WT.	LIST PRICE
	"A"	"B"	"C"	"D"	"E"		
2N18 - 1D18	58.5"	23.5"	18"	18"	18"	73 #	\$ 2,111.00
2N18 - 1D24	64.5"	23.5"	18"	18"	24"	76 #	\$ 2,149.00
2N1823 - 1D18	58.5"	28.5"	18"	23"	18"	83 #	\$ 2,252.00
2N1823 - 1D24	64.5"	28.5"	18"	23"	24"	91 #	\$ 2,298.00
2N23 - 1D24	74.5"	28.5"	23"	23"	24"	98 #	\$ 2,412.00
2N23 - 1D30	80.5"	28.5"	23"	23"	30"	102 #	\$ 2,457.00
2N2923 - 1D30	92.5"	28.5"	29"	23"	30"	116 #	\$ 2,571.00
* 2N2923 - 1D36	98.5"	28.5"	29"	23"	36"	127 #	\$ 2,860.00
2N29 - 1D30	92.5"	34.5"	29"	29"	30"	130 #	\$ 2,837.00
* 2N29 - 1D36	98.5"	34.5"	29"	29"	36"	141 #	\$ 3,134.00

* ADD (2EA) FEET WHEN DRAINBOARD IS 36"

STANDARD SPECIFICATIONS

N.S.F. SINKS ARE CONSTRUCTED OF 16 GAUGE, TYPE 304 STAINLESS STEEL POLISHED TO A # 4 FINISH. EACH SINK IS WELDED AND POLISHED TO FORM A ONE PIECE SANITARY UNIT WITH ALL INSIDE CORNERS COVERED TO COMPLY WITH N.S.F. STANDARD NO. 2. THE FRONT AND BOTH ENDS ARE FINISHED WITH A 1.5" DIAMETER SANITARY ROLLED EDGE. THE 9" HIGH BACKSPASH HAS A 2" RETURN TO THE WALL AT 45 DEGREES AND A 0.75" TURN-DOWN WITH WALL CLIPS. CENTER BASKET DRAINS WITH 1.5" IPS OUTLETS ARE FURNISHED. STAINLESS STEEL N.S.F. LEG SOCKETS ARE WELDED TO THE THE BOTTOM OF THE SINKS. "H" LEGS ARE 1.625" O.D. STAINLESS STEEL TUBING. FEET ARE N.S.F. ADJUSTABLE BULLET TYPE.



USE FOR ARCHITECT / ENGINEER / CONTRACTOR APPROVAL

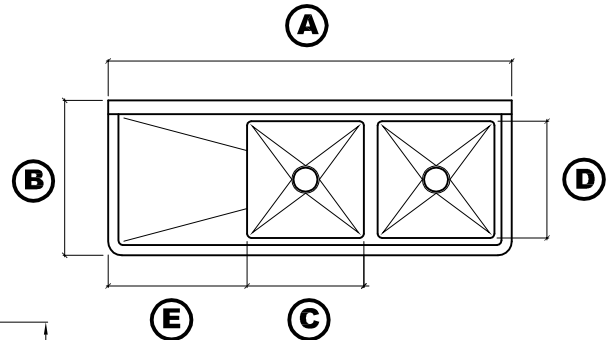
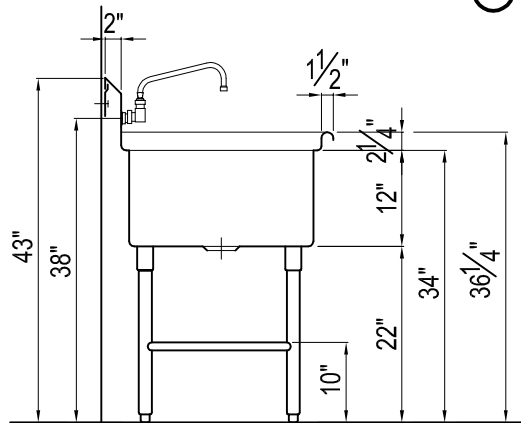
JOB NAME _____ DATE _____

MODEL No. _____ QTY _____

CUSTOMER _____

CONTRACTOR _____

ARCHITECT / ENGINEER _____



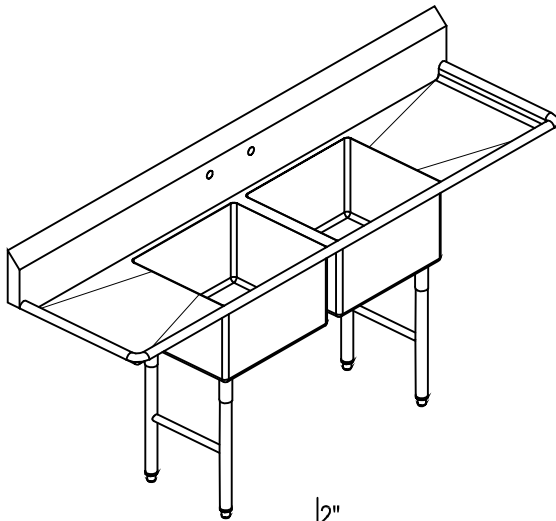
DIMENSIONAL DATA & LIST PRICING

MODEL NO.	OVERALL		TUB SIZE		DRAINBOARD	NET WT.	LIST PRICE
	"A"	"B"	"C"	"D"	"E"		
2N18 - 1D18	58.5"	23.5"	18"	18"	18"	73 #	\$ 2,111.00
2N18 - 1D24	64.5"	23.5"	18"	18"	24"	76 #	\$ 2,149.00
2N1823 - 1D18	58.5"	28.5"	18"	23"	18"	83 #	\$ 2,252.00
2N1823 - 1D24	64.5"	28.5"	18"	23"	24"	91 #	\$ 2,298.00
2N23 - 1D24	74.5"	28.5"	23"	23"	24"	98 #	\$ 2,412.00
2N23 - 1D30	80.5"	28.5"	23"	23"	30"	102 #	\$ 2,457.00
2N2923 - 1D30	92.5"	28.5"	29"	23"	30"	116 #	\$ 2,571.00
* 2N2923 - 1D36	98.5"	28.5"	29"	23"	36"	127 #	\$ 2,860.00
2N29 - 1D30	92.5"	34.5"	29"	29"	30"	130 #	\$ 2,837.00
* 2N29 - 1D36	98.5"	34.5"	29"	29"	36"	141 #	\$ 3,134.00

* ADD (2EA) FEET WHEN DRAINBOARD IS 36"

STANDARD SPECIFICATIONS

N.S.F. SINKS ARE CONSTRUCTED OF 16 GAUGE, TYPE 304 STAINLESS STEEL POLISHED TO A # 4 FINISH. EACH SINK IS WELDED AND POLISHED TO FORM A ONE PIECE SANITARY UNIT WITH ALL INSIDE CORNERS COVED TO COMPLY WITH N.S.F. STANDARD NO. 2. THE FRONT AND BOTH ENDS ARE FINISHED WITH A 1.5" DIAMETER SANITARY ROLLED EDGE. THE 9" HIGH BACKSPASH HAS A 2" RETURN TO THE WALL AT 45 DEGREES AND A 0.75" TURN-DOWN WITH WALL CLIPS. CENTER BASKET DRAINS WITH 1.5" IPS OUTLETS ARE FURNISHED. STAINLESS STEEL N.S.F. LEG SOCKETS ARE WELDED TO THE THE BOTTOM OF THE SINKS. "H" LEGS ARE 1.625" O.D. STAINLESS STEEL TUBING. FEET ARE N.S.F. ADJUSTABLE BULLET TYPE.



USE FOR ARCHITECT / ENGINEER / CONTRACTOR APPROVAL

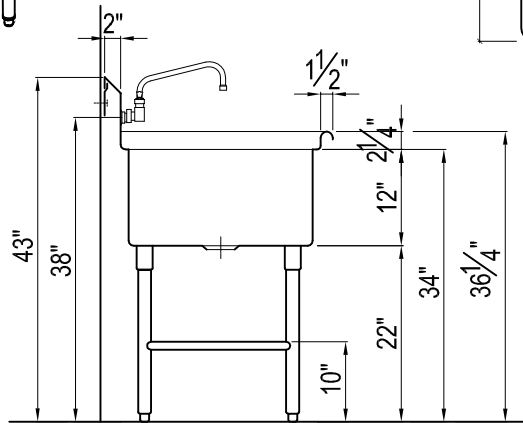
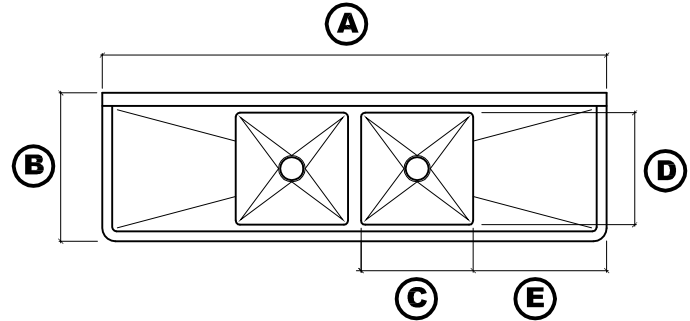
JOB NAME _____ DATE _____

MODEL No. _____ QTY _____

CUSTOMER _____

CONTRACTOR _____

ARCHITECT / ENGINEER _____



MADE IN THE U.S.A
CERTIFIED TO ANS I

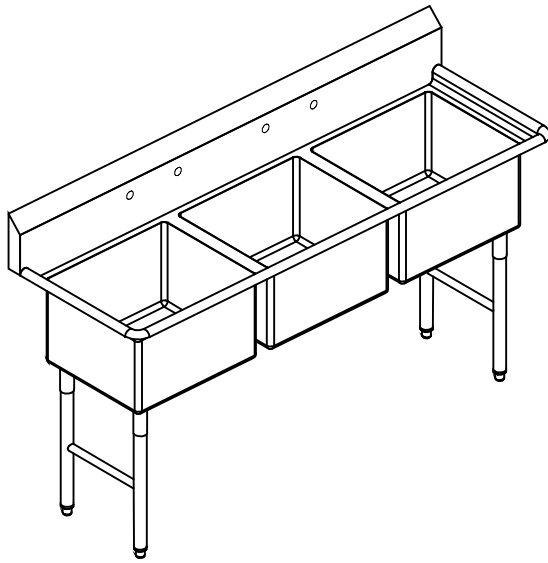
DIMENSIONAL DATA & LIST PRICING

MODEL NO.	OVERALL		TUB SIZE		DRAINBOARD	NET WT.	LIST PRICE
	"A"	"B"	"C"	"D"	"E"		
2N18 - 2D18	74"	22.5"	18"	18"	18"	81 #	\$ 2,404.00
2N18 - 2D24	86"	22.5"	18"	18"	24"	88 #	\$ 2,480.00
2N1823 - 2D18	74"	28.5"	18"	23"	18"	93 #	\$ 2,567.00
2N1823 - 2D24	86"	28.5"	18"	23"	24"	101 #	\$ 2,659.00
2N23 - 2D24	96"	28.5"	23"	23"	24"	112 #	\$ 2,773.00
2N23 - 2D30	108"	28.5"	23"	23"	30"	120 #	\$ 2,868.00
2N2923 - 2D30	120"	28.5"	29"	23"	30"	134 #	\$ 2,982.00
* 2N2923 - 2D36	132"	28.5"	29"	23"	36"	156 #	\$ 3,559.00
2N29 - 2D30	120"	34.5"	29"	29"	30"	146 #	\$ 3,343.00
* 2N29 - 2D36	132"	34.5"	29"	29"	36"	173 #	\$ 3,935.00

* ADD (2EA) FEET WHEN DRAINBOARD IS 36"

STANDARD SPECIFICATIONS

N.S.F. SINKS ARE CONSTRUCTED OF 16 GAUGE, TYPE 304 STAINLESS STEEL POLISHED TO A # 4 FINISH. EACH SINK IS WELDED AND POLISHED TO FORM A ONE PIECE SANITARY UNIT WITH ALL INSIDE CORNERS COVED TO COMPLY WITH N.S.F. STANDARD NO. 2. THE FRONT AND BOTH ENDS ARE FINISHED WITH A 1.5" DIAMETER SANITARY ROLLED EDGE. THE 9" HIGH BACKSPLASH HAS A 2" RETURN TO THE WALL AT 45 DEGREES AND A 0.75" TURN-DOWN WITH WALL CLIPS. CENTER BASKET DRAINS WITH 1.5" IPS OUTLETS ARE FURNISHED. STAINLESS STEEL N.S.F. LEG SOCKETS ARE WELDED TO THE THE BOTTOM OF THE SINKS. "H" LEGS ARE 1.625" O.D. STAINLESS STEEL TUBING. FEET ARE N.S.F. ADJUSTABLE BULLET TYPE.



USE FOR ARCHITECT / ENGINEER / CONTRACTOR APPROVAL

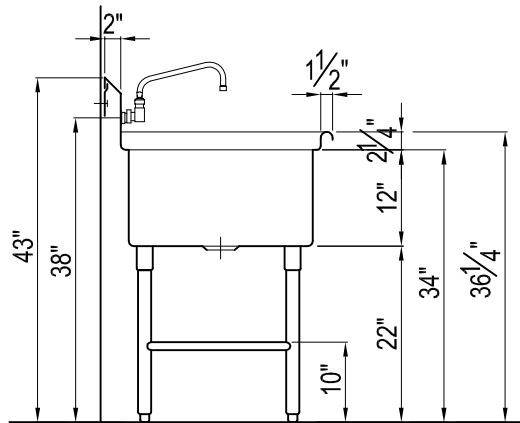
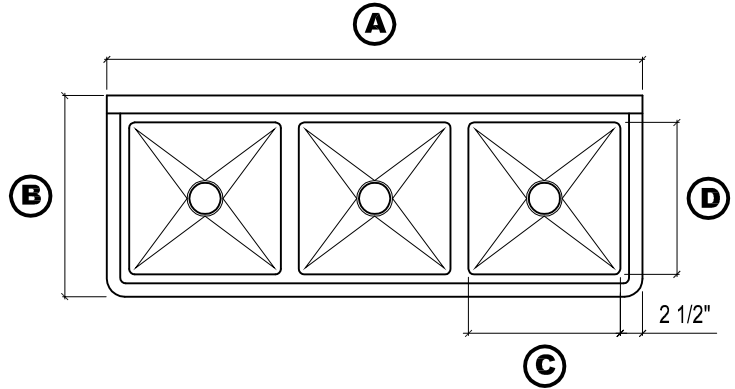
JOB NAME _____ DATE _____

MODEL No. _____ QTY _____

CUSTOMER _____

CONTRACTOR _____

ARCHITECT / ENGINEER _____



MADE IN THE U.S.A
CERTIFIED TO ANSI

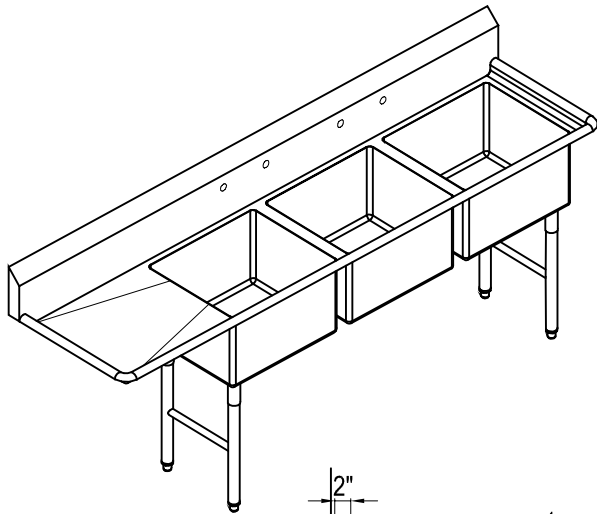
DIMENSIONAL DATA & LIST PRICING

MODEL NO.	OVERALL		TUB SIZE		DRAINBOARD	NET WT.	LIST PRICE
	"A"	"B"	"C"	"D"	"E"		
3N18	44"	23.5"	18"	18"	NONE	88 #	\$ 2,191.00
3N1823	44"	28.5"	18"	23"	NONE	101 #	\$ 2,362.00
3N23 *	53"	28.5"	23"	23"	NONE	115 #	\$ 2,533.00
3N2923 *	65"	28.5"	29"	23"	NONE	140 #	\$ 2,704.00
3N29 *	65"	34.5"	29"	29"	NONE	159 #	\$ 3,046.00

* INDICATES 2 SETS OF FAUCET HOLES

STANDARD SPECIFICATIONS

N.S.F. SINKS ARE CONSTRUCTED OF 16 GAUGE, TYPE 304 STAINLESS STEEL POLISHED TO A # 4 FINISH. EACH SINK IS WELDED AND POLISHED TO FORM A ONE PIECE SANITARY UNIT WITH ALL INSIDE CORNERS COVERED TO COMPLY WITH N.S.F. STANDARD NO. 2. THE FRONT AND BOTH ENDS ARE FINISHED WITH A 1.5" DIAMETER SANITARY ROLLED EDGE. THE 9" HIGH BACKSPASH HAS A 2" RETURN TO THE WALL AT 45 DEGREES AND A 0.75" TURN-DOWN WITH WALL CLIPS. CENTER BASKET DRAINS WITH 1.5" IPS OUTLETS ARE FURNISHED. STAINLESS STEEL N.S.F. LEG SOCKETS ARE WELDED TO THE THE BOTTOM OF THE SINKS. "H" LEGS ARE 1.625" O.D. STAINLESS STEEL TUBING. FEET ARE N.S.F. ADJUSTABLE BULLET TYPE.



USE FOR ARCHITECT / ENGINEER / CONTRACTOR APPROVAL

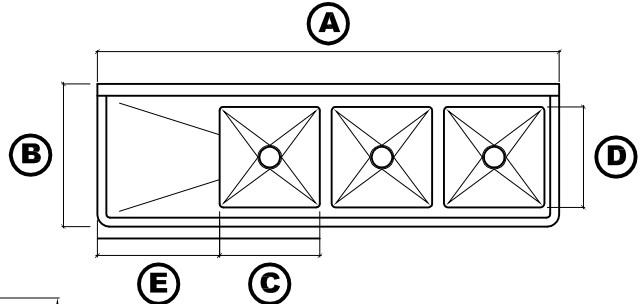
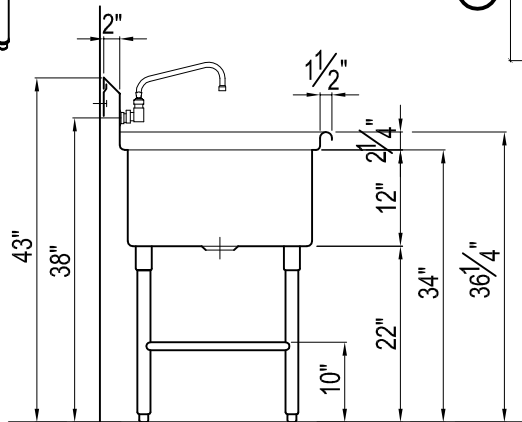
JOB NAME _____ DATE _____

MODEL No. _____ QTY _____

CUSTOMER _____

CONTRACTOR _____

ARCHITECT / ENGINEER _____



MADE IN THE U.S.A
CERTIFIED TO ANS I

DIMENTIONAL DATA & LIST PRICING

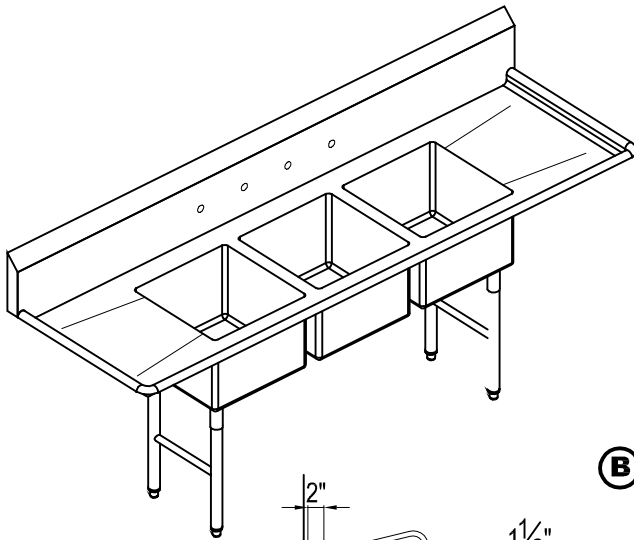
MODEL NO.	OVERALL		TUB SIZE		DRAINBOARD	NET WT.	LIST PRICE
	"A"	"B"	"C"	"D"	"E"		
3N18 - 1D18	78.5"	23.5"	18"	18"	18"	97 #	\$ 2,484.00
3N18 - 1D24	84.5"	22.5"	18"	18"	24"	100 #	\$ 2,522.00
3N1823 - 1D18	78.5"	28.5"	18"	23"	18"	111 #	\$ 2,681.00
3N1823 - 1D24	84.5"	28.5"	18"	23"	24"	115 #	\$ 2,727.00
3N23 - 1D24 *	99.5"	28.5"	23"	23"	24"	129 #	\$ 2,898.00
3N23 - 1D30 *	105.5"	28.5"	23"	23"	30"	137 #	\$ 2,944.00
3N2923 - 1D30 *	123.5"	28.5"	29"	23"	30"	158 #	\$ 3,115.00
3N2923 - 1D36 **	135.5"	28.5"	29"	23"	36"	170 #	\$ 3,403.00
3N29 - 1D30 *	123.5"	34.5"	29"	29"	30"	177 #	\$ 3,495.00
3N29 - 1D36 **	135.5"	34.5"	29"	29"	36"	188 #	\$ 3,791.00

* INDICATES 2 SETS OF FAUCET HOLES

** INDICATES ADD 2 LEGS @ 36" DRAINBOARD & 2 SETS OF FAUCET HOLES

STANDARD SPECIFICATIONS

N.S.F. SINKS ARE CONSTRUCTED OF 16 GAUGE, TYPE 304 STAINLESS STEEL POLISHED TO A # 4 FINISH. EACH SINK IS WELDED AND POLISHED TO FORM A ONE PIECE SANITARY UNIT WITH ALL INSIDE CORNERS COVED TO COMPLY WITH N.S.F. STANDARD NO. 2. THE FRONT AND BOTH ENDS ARE FINISHED WITH A 1.5" DIAMETER SANITARY ROLLED EDGE. THE 9" HIGH BACKSPASH HAS A 2" RETURN TO THE WALL AT 45 DEGREES AND A 0.75" TURN-DOWN WITH WALL CLIPS. CENTER BASKET DRAINS WITH 1.5" IPS OUTLETS ARE FURNISHED. STAINLESS STEEL N.S.F. LEG SOCKETS ARE WELDED TO THE THE BOTTOM OF THE SINKS. "H" LEGS ARE 1.625" O.D. STAINLESS STEEL TUBING. FEET ARE N.S.F. ADJUSTABLE BULLET TYPE.



USE FOR ARCHITECT / ENGINEER / CONTRACTOR APPROVAL

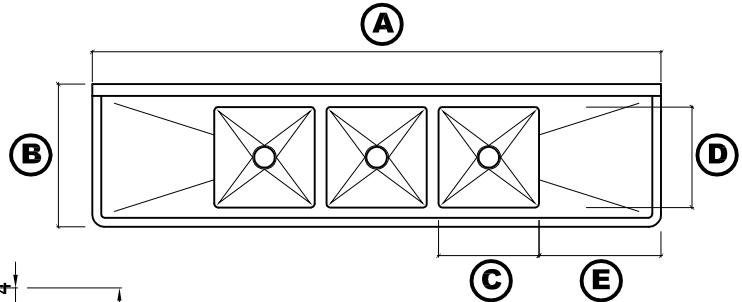
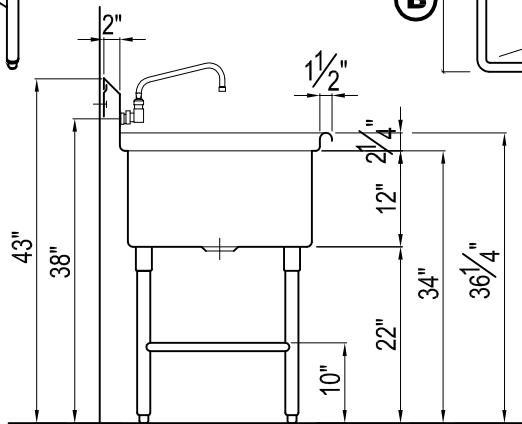
JOB NAME _____ DATE _____

MODEL No. _____ QTY _____

CUSTOMER _____

CONTRACTOR _____

ARCHITECT / ENGINEER _____



MADE IN THE U.S.A. CERTIFIED TO ANSI

DIMENSIONAL DATA & LIST PRICING

MODEL NO.	OVERALL		TUB SIZE		DRAINBOARD	NET WT.	LIST PRICE
	"A"	"B"	"C"	"D"	"E"		
3N18 - 2D18	94"	23.5"	18"	18"	18"	106 #	\$ 2,776.00
3N18 - 2D24	106"	23.5"	18"	18"	24"	112 #	\$ 2,852.00
3N1823 - 2D18	94"	28.5"	18"	23"	18"	121 #	\$ 3,001.00
3N1823 - 2D24	106"	28.5"	18"	23"	24"	129 #	\$ 3,092.00
3N2028 - 2D20 *	104"	33.5"	20"	28"	20"	155 #	\$ 4,350.00
3N2028 - 2D24 *	112"	33.5"	20"	28"	20"	160#	\$ 4,326.00
3N23 - 2D24 *	121"	28.5"	23"	23"	24"	147 #	\$ 3,263.00
3N23 - 2D30 *	133"	28.5"	23"	23"	30"	154 #	\$ 3,354.00
3N2923 - 2D30 *	151"	28.5"	29"	23"	30"	176 #	\$ 3,525.00
3N2923 - 2D36 **	163"	28.5"	29"	23"	36"	197 #	\$ 4,103.00
3N29 - 2D30 *	151"	34.5"	29"	29"	30"	197 #	\$ 3,943.00
3N29 - 2D36 **	163"	34.5"	29"	29"	36"	219 #	\$ 4,536.00

* INDICATES 2 SETS OF FAUCET HOLES

** INDICATES ADD 2 LEGS @ 36" DRAINBOARD & 2 SETS OF FAUCET HOLES

STANDARD SPECIFICATIONS

N.S.F. SINKS ARE CONSTRUCTED OF 16 GAUGE, TYPE 304 STAINLESS STEEL POLISHED TO A # 4 FINISH. EACH SINK IS WELDED AND POLISHED TO FORM A ONE PIECE SANITARY UNIT WITH ALL INSIDE CORNERS COVERED TO COMPLY WITH N.S.F. STANDARD NO. 2. THE FRONT AND BOTH ENDS ARE FINISHED WITH A 1.5" DIAMETER SANITARY ROLLED EDGE. THE 9" HIGH BACKSPASH HAS A 2" RETURN TO THE WALL AT 45 DEGREES AND A 0.75" TURN-DOWN WITH WALL CLIPS. CENTER BASKET DRAINS WITH 1.5" IPS OUTLETS ARE FURNISHED. STAINLESS STEEL N.S.F. LEG SOCKETS ARE WELDED TO THE THE BOTTOM OF THE SINKS. "H" LEGS ARE 1.625" O.D. STAINLESS STEEL TUBING. FEET ARE N.S.F. ADJUSTABLE BULLET TYPE.