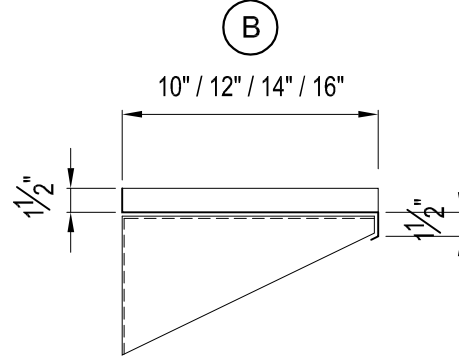
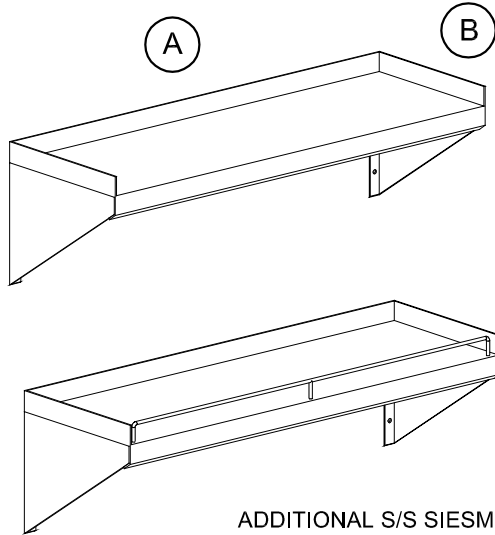


HEAVY DUTY STAINLESS STEEL WALL MTD SHELVES



ADDITIONAL S/S SIESMIC ROD /
CALL FOR PRICE / FOOT
@ 8 7 7 - 4 9 9 - 4 2 3 1

MOD: _____ WSA _____
A B

FRONT TO BACK MEASUREMENT

SHELF LENGTH	10" SHELVING		12" SHELVING		14" SHELVING		16" SHELVING		WALL BRK'T QTY.
	LIST	WT.	LIST	WT.	LIST	WT.	LIST	WT.	
2'	\$ 246.00	10	\$ 256.00	12	\$ 268.00	16	\$ 276.00	18	2
3'	\$ 264.00	13	\$ 276.00	15	\$ 290.00	19	\$ 300.00	21	2
4'	\$ 282.00	16	\$ 296.00	18	\$ 312.00	22	\$ 326.00	24	2
5'	\$ 300.00	19	\$ 318.00	22	\$ 370.00	25	\$ 352.00	27	2
6'	\$ 328.00	23	\$ 352.00	25	\$ 392.00	30	\$ 394.00	32	3
7'	\$ 346.00	26	\$ 374.00	28	\$ 414.00	33	\$ 420.00	35	3
8'	\$ 364.00	29	\$ 396.00	31	\$ 436.00	36	\$ 446.00	38	3
9'	\$ 382.00	32	\$ 418.00	34	\$ 458.00	39	\$ 482.00	41	3
10'	\$ 410.00	36	\$ 452.00	38	\$ 494.00	44	\$ 524.00	46	4
11'	\$ 428.00	39	\$ 474.00	41	\$ 516.00	47	\$ 550.00	49	4
12'	\$ 446.00	42	\$ 496.00	44	\$ 538.00	50	\$ 576.00	52	4

USE FOR ARCHITECT / ENGINEER / CONTRACTOR APPROVAL

JOB NAME _____ DATE _____

MODEL No. _____ QTY _____

CUSTOMER _____

CONTRACTOR _____

ARCHITECT / ENGINEER _____

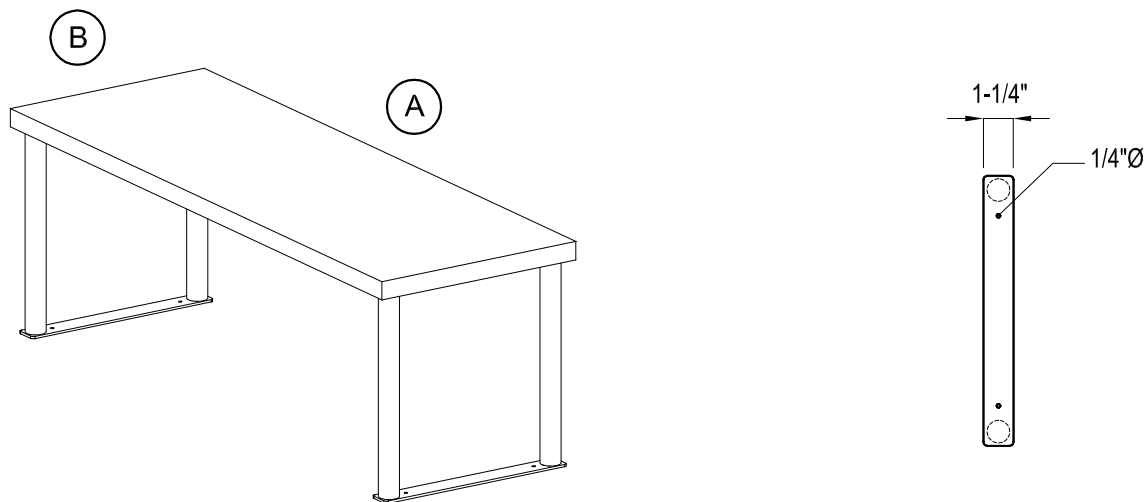


MADE IN
THE U.S.A
CERTIFIED
TO ANS I

SPECIFICATIONS

WSA SERIES WALL SHELVES ARE CONSTRUCTED OF 16 GAUGE T - 304 STAINLESS STEEL WITH A #4 FINISH. REAR EDGE & BOTH SIDES ARE TURNED UP 1.50", THE FRONT IS TURNED DOWN 1.50". ESPECIFY THE LENGTH (A) AND THEN THE SERIES REQUIRED FOLLOWED BY THE FRONT TO BACK (B) MEASUREMENT. THE STAINLESS STEEL WALL BRACKETS ARE SHIPPED LOSE.

HEAVY DUTY STAINLESS STEEL TABLE MTD SHELVES



MOD: _____ TS-1 _____
A B

SHELF LENGTH	FRONT TO BACK MEASUREMENT					
	12" SHELVING		14" SHELVING		16" SHELVING	
	LIST	WT.	LIST	WT.	LIST	WT.
2'	\$ 302.00	24	\$ 389.00	27	\$ 397.00	30
3'	\$ 406.00	28	\$ 417.00	31	\$ 428.00	34
4'	\$ 428.00	32	\$ 442.00	35	\$ 456.00	38
5'	\$ 456.00	36	\$ 476.00	39	\$ 495.00	42
6'	\$ 487.00	40	\$ 506.00	43	\$ 526.00	46
7'	\$ 613.00	51	\$ 635.00	54	\$ 658.00	57
8'	\$ 641.00	55	\$ 669.00	58	\$ 697.00	61
9'	\$ 669.00	59	\$ 702.00	62	\$ 736.00	65
10'	\$ 700.00	63	\$ 733.00	66	\$ 767.00	69
11'	\$ 728.00	67	\$ 770.00	70	\$ 812.00	73
12'	\$ 758.00	71	\$ 798.00	73	\$ 837.00	76

USE FOR ARCHITECT / ENGINEER / CONTRACTOR APPROVAL

JOB NAME _____ DATE _____

MODEL No. _____ QTY _____

CUSTOMER _____

CONTRACTOR _____

ARCHITECT / ENGINEER _____

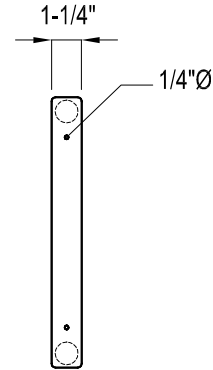
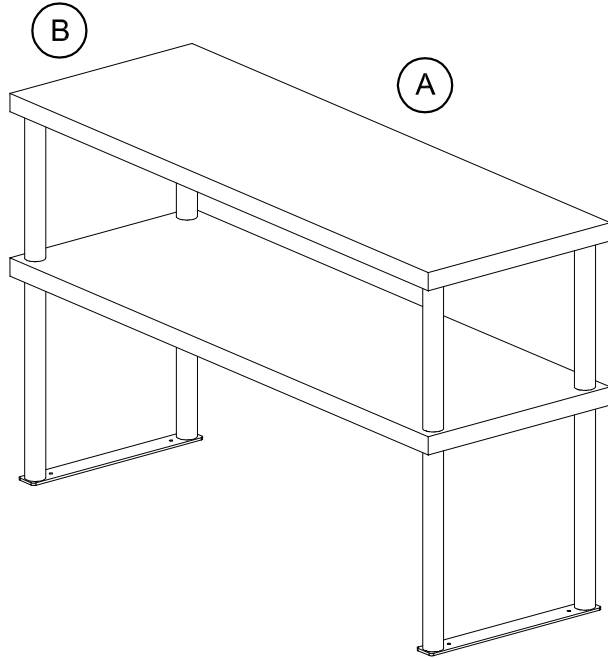


MADE IN
THE U.S.A
CERTIFIED
TO ANSI

SPECIFICATIONS

TS - 1 SERIES TABLE SHELVES ARE CONSTRUCTED OF 16 GAUGE T -304 STAINLESS STEEL WITH A # 4 FINISH. EDGES ARE TURNED DOWN 1.50" . POSTS ARE 1" O.D. STAINLESS STEEL TUBE WITH INTERNAL THREADED FASTENERS AT THE BOTTOM TO ALLOW BOLTING SHELF TO TABLE TOPS FROM BELOW. SHELF IS REINFORCED WITH S/S HAT CHANNELS. OPTIONAL MOUNTING PADS OR SPECIAL BRACKETS CAN BE SUPPLIED. SPECIFY THE LENGTH (A) AND THEN THE SERIES REQUIRED FOLLOWED BY THE FRONT TO BACK (B) MEASUREMENT.

HEAVY DUTY STAINLESS STEEL TABLE MTD SHELVES



MOD: _____ TS-2 _____
A B

SHELF LENGTH	FRONT TO BACK MEASUREMENT					
	12" SHELVING		14" SHELVING		16" SHELVING	
	LIST	WT.	LIST	WT.	LIST	WT.
2'	\$ 543.00	46	\$ 571.00	54	\$ 613.00	62
3'	\$ 599.00	54	\$ 627.00	62	\$ 669.00	70
4'	\$ 655.00	62	\$ 683.00	70	\$ 711.00	78
5'	\$ 711.00	70	\$ 744.00	78	\$ 778.00	86
6'	\$ 767.00	78	\$ 808.00	86	\$ 851.00	94
7'	\$ 943.00	94	\$ 994.00	102	\$ 1,044.00	110
8'	\$ 999.00	102	\$ 1,055.00	110	\$ 1,111.00	118
9'	\$ 1,055.00	110	\$ 1,120.00	118	\$ 1,184.00	126
10'	\$ 1,111.00	118	\$ 1,181.00	126	\$ 1,251.00	134
11'	\$ 1,167.00	126	\$ 1,243.00	134	\$ 1,318.00	142
12'	\$ 1,223.00	134	\$ 1,307.00	142	\$ 1,394.00	150

USE FOR ARCHITECT / ENGINEER / CONTRACTOR APPROVAL

JOB NAME _____ DATE _____

MODEL No. _____ QTY _____

CUSTOMER _____

CONTRACTOR _____

ARCHITECT / ENGINEER _____

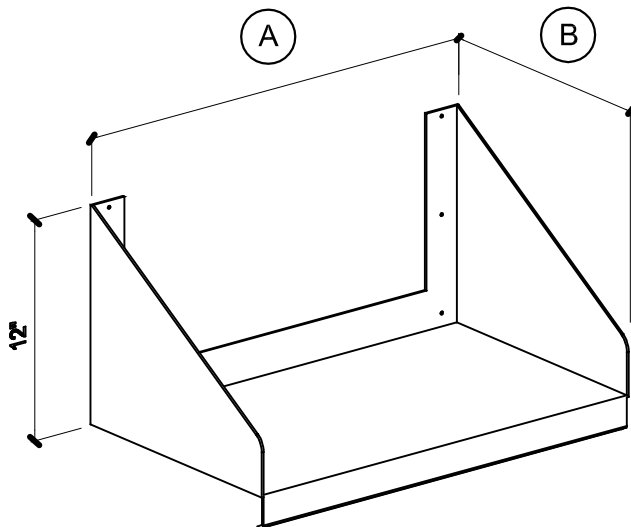


MADE IN
THE U.S.A
CERTIFIED
TO ANSI

SPECIFICATIONS

TS - 2 SERIES TABLE SHELVES ARE CONSTRUCTED OF 16 GAUGE T -304 STAINLESS STEEL WITH A # 4 FINISH. EDGES ARE TURNED DOWN 1.50" . POSTS ARE 1" O.D. STAINLESS STEEL TUBE WITH INTERNAL THREADED FASTENERS AT THE BOTTOM TO ALLOW BOLTING SHELF TO TABLE TOPS FROM BELOW. EACH SHELF IS REINFORCED WITH S/S HAT CHANNELS. OPTIONAL MOUNTING PADS OR SPECIAL BRACKETS CAN BE SUPPLIED. SPECIFY THE LENGTH (A) AND THEN THE SERIES REQUIRED FOLLOWED BY THE FRONT TO BACK (B) MEASUREMENT.

HEAVY DUTY STAINLESS STEEL MICROWAVE SHELVES



CUSTOM SIZES

MOD: _____ MSA _____
 A B

STANDARD SIZES

SHELF LENGTH	FRONT TO BACK MEASUREMENT							
	16" SHELIVING		18" SHELIVING		20" SHELIVING		22" SHELIVING	
	LIST	WT.	LIST	WT.	LIST	WT.	LIST	WT.
1'-8"	\$ 276.00	18	\$ 326.00	20	\$ 386.00	22	\$ 396.00	24
2'-0"	\$ 300.00	21	\$ 366.00	23	\$ 410.00	25	\$ 435.00	27
3'-0"	\$ 326.00	24	\$ 406.00	27	\$ 435.00	28	\$ 460.00	30
4'-0"	\$ 352.00	27	\$ 446.00	30	\$ 460.00	31	\$ 485.00	33
5'-0"	\$ 392.00	30	\$ 486.00	33	\$ 500.00	34	\$ 525.00	36
6'-0"	\$ 432.00	33	\$ 526.00	36	\$ 540.00	37	\$ 545.00	39

USE FOR ARCHITECT / ENGINEER / CONTRACTOR APPROVAL

JOB NAME _____ DATE _____

MODEL No. _____ QTY _____

CUSTOMER _____

CONTRACTOR _____

ARCHITECT / ENGINEER _____

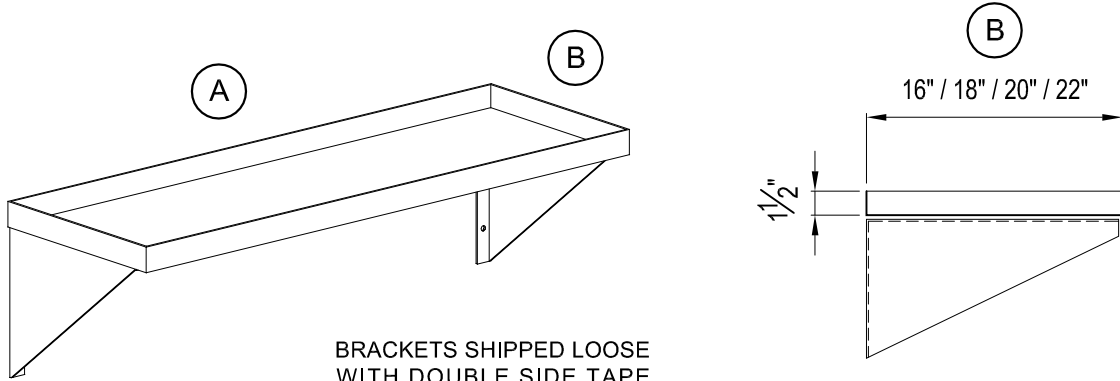


MADE IN THE U.S.A. CERTIFIED TO ANSI

SPECIFICATIONS

STA-PRO MSA SERIES MICROWAVE OVEN SHELVES ARE CONSTRUCTED OF 16GA. T-304 STAINLESS STEEL WITH A 4# FINISH. THE FRONT IS TURNED DOWN 1.50" AND THE ENDS ARE TURNED UP 12" TO FORM INTEGRAL MOUNTING BRACKETS WITH 2" MOUNTING FLANGES AT THE WALL. SPECIFY THE LENGTH (A) AND THEN MSA, FOLLOWED BY THE FRONT TO BACK (B) MEASUREMENT.

HEAVY DUTY STAINLESS STEEL WALL MTD SHELVES



BRACKETS SHIPPED LOOSE
WITH DOUBLE SIDE TAPE
ON TOP EDGE

ADDITIONAL S/S SIEMIC ROD /
CALL FOR PRICE / FOOT
@ 8 7 7 - 4 9 9 - 4 2 3 1

CUSTOM SIZES

MOD: _____ PSB _____
A B

STANDARD SIZES

SHELF LENGTH	FRONT TO BACK MEASUREMENT							
	16" SHELVING		18" SHELVING		20" SHELVING		22" SHELVING	
	LIST	WT.	LIST	WT.	LIST	WT.	LIST	WT.
1'-8"	\$ 301.00	18	\$ 351.00	20	\$ 411.00	22	\$ 421.00	24
2'-0"	\$ 325.00	21	\$ 391.00	23	\$ 435.00	25	\$ 460.00	27
3'-0"	\$ 351.00	24	\$ 431.00	27	\$ 460.00	28	\$ 485.00	30
4'-0"	\$ 377.00	27	\$ 471.00	30	\$ 485.00	31	\$ 510.00	33
5'-0"	\$ 417.00	30	\$ 511.00	33	\$ 525.00	34	\$ 525.00	36
6'-0"	\$ 457.00	33	\$ 551.00	36	\$ 565.00	37	\$ 570.00	39

USE FOR ARCHITECT / ENGINEER / CONTRACTOR APPROVAL

JOB NAME _____ DATE _____

MODEL No. _____ QTY _____

CUSTOMER _____

CONTRACTOR _____

ARCHITECT / ENGINEER _____



MADE IN
THE U.S.A
CERTIFIED
TO ANSI

SPECIFICATIONS

PSB SERIES WALL SHELVES ARE CONSTRUCTED OF 16 GAUGE T - 304 STAINLESS STEEL WITH A #4 FINISH. ALL 4 EDGES ARE TURNED UP 1.50". SPECIFY THE LENGTH (A) AND THEN THE SERIES REQUIRED FOLLOWED BY THE FRONT TO BACK (B) MEASUREMENT. THE STAINLESS STEEL WALL BRACKETS ARE SHIPPED LOOSE.