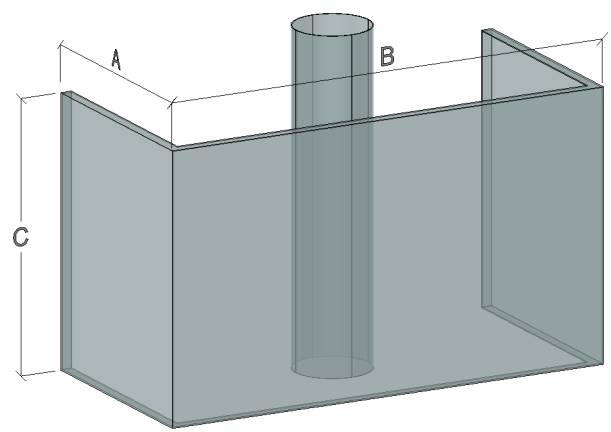


STANDARD DUCT ENCLOSURE

- DIR. GRAIN HORIZONTAL
- DIR. GRAIN VERTICAL

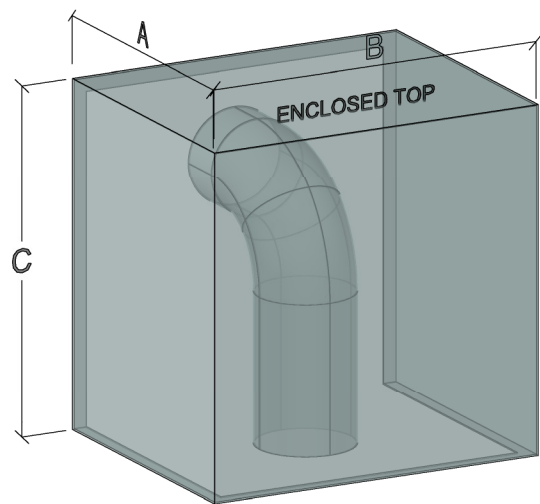
A: _____
 B: _____
 C: _____



ELONGATED DUCT ENCLOSURE

- DIR. GRAIN HORIZONTAL
- DIR. GRAIN VERTICAL

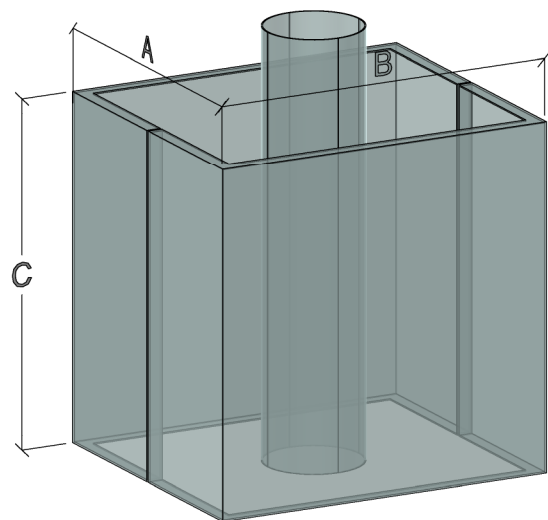
A: _____
 B: _____
 C: _____



WALL MT DUCT ENCLOSURE WITH ENCLOSED TOP

- DIR. GRAIN HORIZONTAL
- DIR. GRAIN VERTICAL

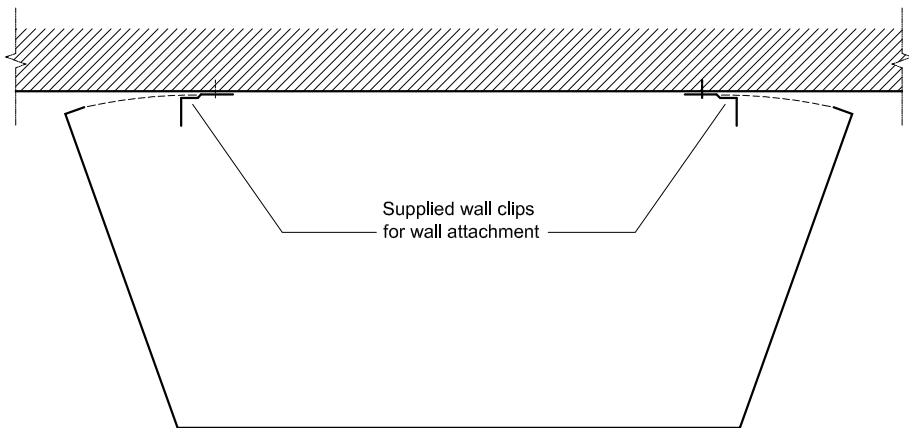
A: _____
 B: _____
 C: _____



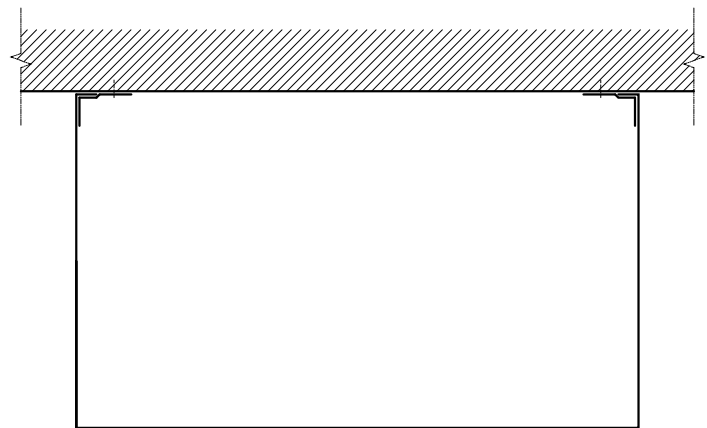
ISLAND DUCT ENCLOSURE

- DIR. GRAIN HORIZONTAL
- DIR. GRAIN VERTICAL

A: _____
 B: _____
 C: _____



BOTH SIDE ENCLOSURES PULL OPEN



BOTH SIDE ENCLOSURES RELEASED

STANDARD 20GA. S/S / T-304 #4 FIN.
 UNLESS OTHERWISE NOTED.



© 2019 ALL RIGHTS RESERVED.

This document/s contains material protected under International and Federal Copyright Laws and Treaties. Any unauthorized reprint or use of this material is prohibited. No part of this document may be reproduced or transmitted in any form or by any means, electronic or mechanical, including photocopying, recording, or by any information storage and retrieval system without express written permission from Berlin Food & Lab Equipment Company. For permission contact (legal@berlinusa.com)

USE FOR ARCHITECT / ENGINEER / CONTRACTOR APPROVAL

JOB NAME _____ DATE _____

MODEL No. _____ QTY _____

CUSTOMER _____

CONTRACTOR _____

ARCHITECT / ENGINEER _____

43 SOUTH LINDEN AVE.
 SOUTH SAN FRANCISCO, CA 94080
 PH (650) 589-4231 FAX (650) 589-3981
 WWW.BERLINUSA.COM

STAINLESS DUCT ENCLOSURE

DATE: 9-14-20

DWG: L-07040