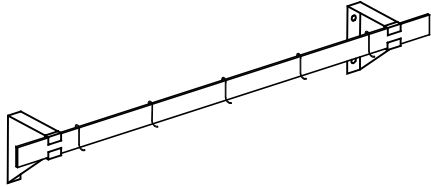


MADE IN
THE U.S.A
CERTIFIED
TO ANSI

STANDARD SPECIFICATIONS

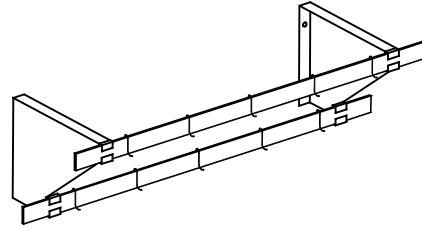
BOAT SHAPED CEILING MOUNT POT RACK OF 2" X 1/4" FLAT BAR (EITHER STAINLESS STEEL OR GALVANIZED) WITH CADMIUM PLATED, DOUBLE DUTY, SLIDING TYPE HOOKS. APPROXIMATELY ONE DOUBLE HOOK FOR EACH 8" OF RACK. CEILING HANGERS ARE OF SAME MATERIAL AS THE RACK. ADVISE CEILING HEIGHT SO HANGERS CAN BE CORRECTLY SIZED.

WALL MTD / SINGLE RAIL



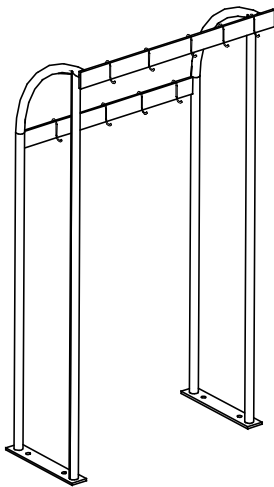
MODEL No.	WT.
WMS-4	16#
WMS-5	19
WMS-6	22
WMS-7	25
WMS-8	28
WMS-9	31
WMS-10	34

WALL MTD / DOUBLE RAIL



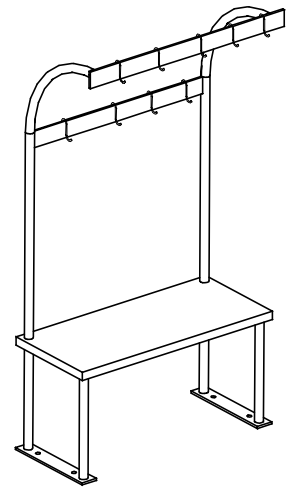
MODEL No.	WT.
WMD-4	52#
WMD-5	69
WMD-6	85
WMD-7	105
WMD-8	121
WMD-9	141
WMD-10	160

TABLE MTD / DOUBLE RAIL

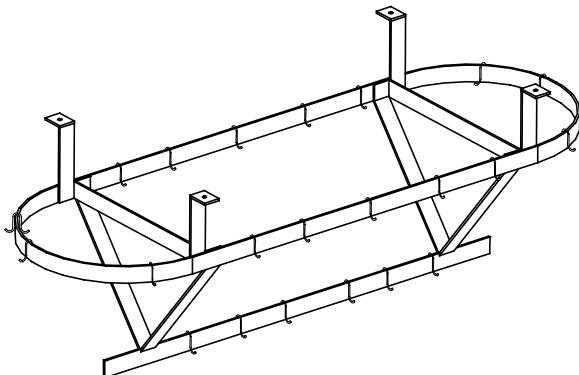


MODEL No.	WT.	MODEL No.	WT.
TMD-4	55#	TMD-S-4	60#
TMD-5	70	TMD-S-5	75
TMD-6	85	TMD-S-6	90
TMD-7	100	TMD-S-7	100
TMD-8	115	TMD-S-8	120
TMD-9	130	TMD-S-9	135
TMD-10	145	TMD-S-10	150

WALL MTD / DOUBLE RAIL W/ SHELF



CEILING MTD



VERTICAL EXTENSIONS ARE FOR 8'-0" FIN. CLG. HT. , CONSULT FACTORY FOR OTHER FIN. HTS .

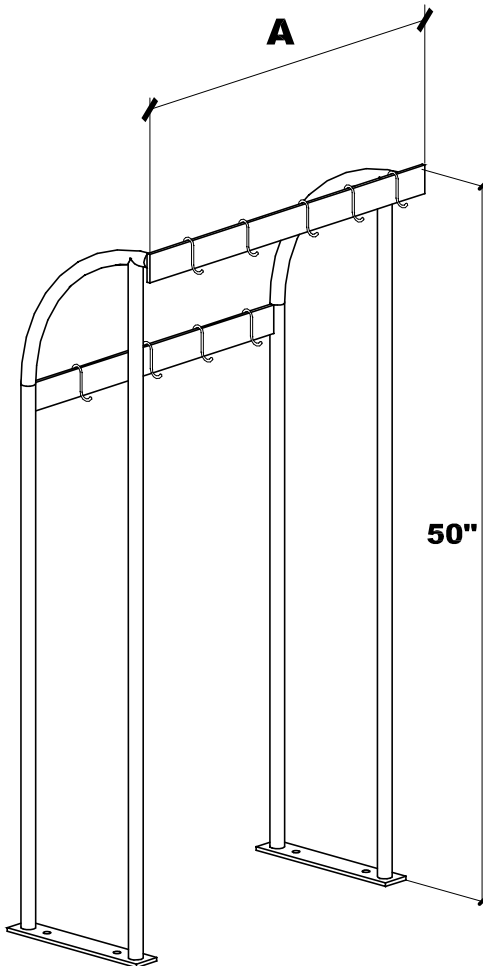
MODEL No.	WT.
CM-4	70#
CM-5	79
CM-6	88
CM-7	97
CM-8	106
CM-9	115
CM-10	124



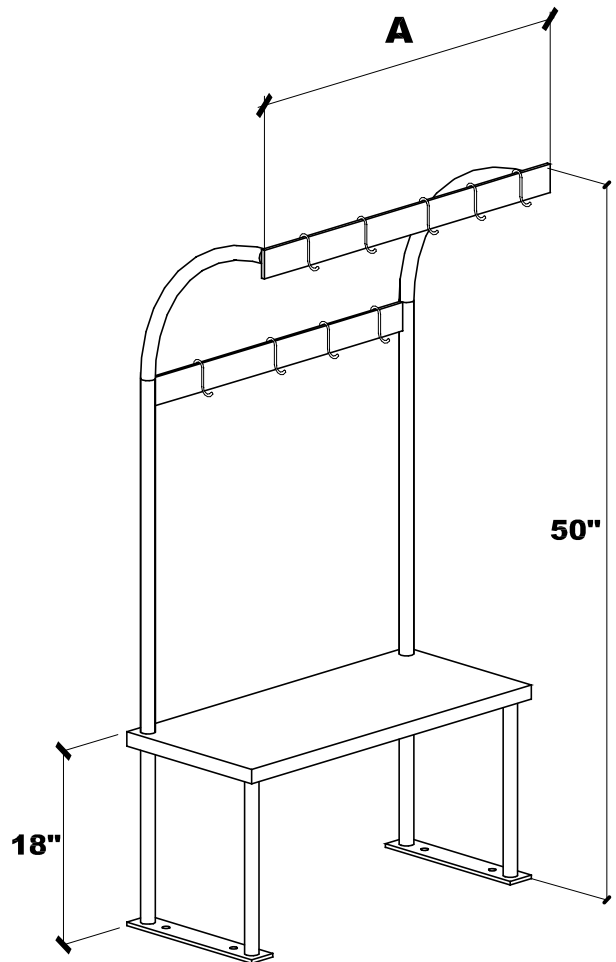
MADE IN THE U.S.A
CERTIFIED TO ANSI



MADE IN THE U.S.A
CERTIFIED TO ANSI



MODEL # TMD _____



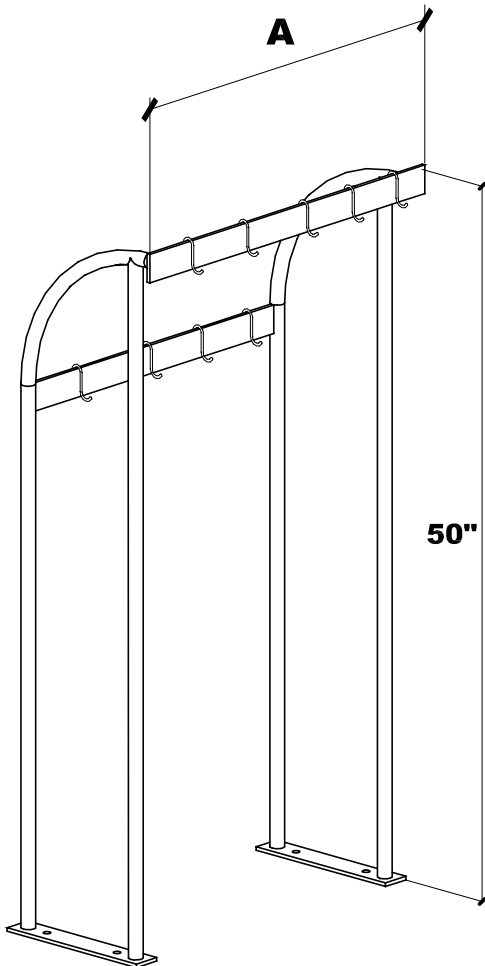
MODEL # TMDS _____

SPECIFICATIONS

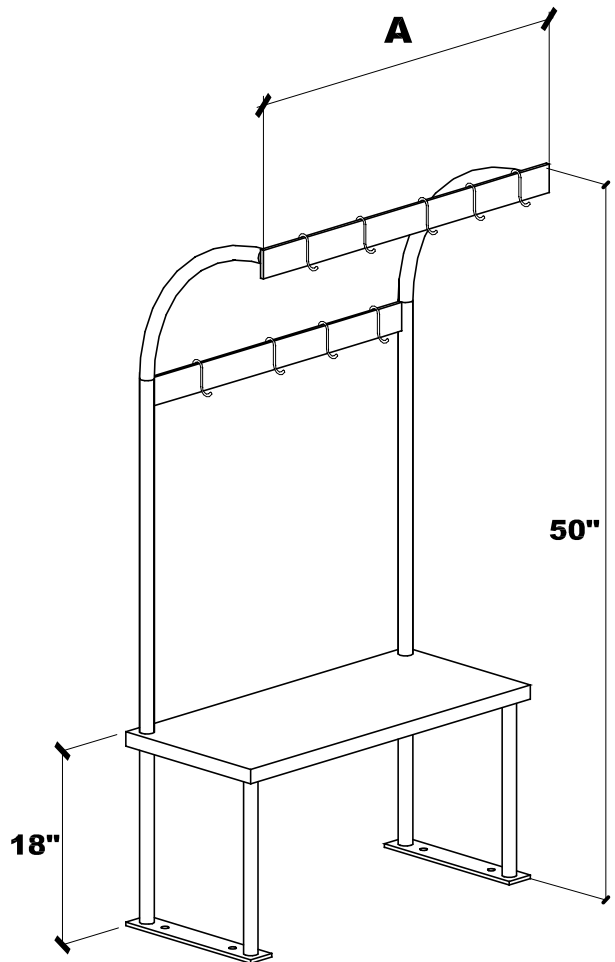
STA - PRO TMD AND TMDS SERIES TABLE MOUNT POTRACKS ARE CONSTRUCTED ENTIRELY OF TYPE 304 STAINLESS STEEL. THE 2" X .25" HOLLOW BAR RAILS HAVE TWO PRONGS S/S SLIDING POT HOOKS EVERY 12". THE 1" O.D. POSTS ARE WELDED TO THE S/S TABLE MOUNTING PLATES. SERIES TMDS INCLUDES A FULL LENGTH X 12" WIDE, 16GA. S/S REINFORCED SHELF. SPECIFY THE SERIES FOLLOWED BY THE LENGTH (A).



MADE IN
THE U.S.A
CERTIFIED
TO ANSI



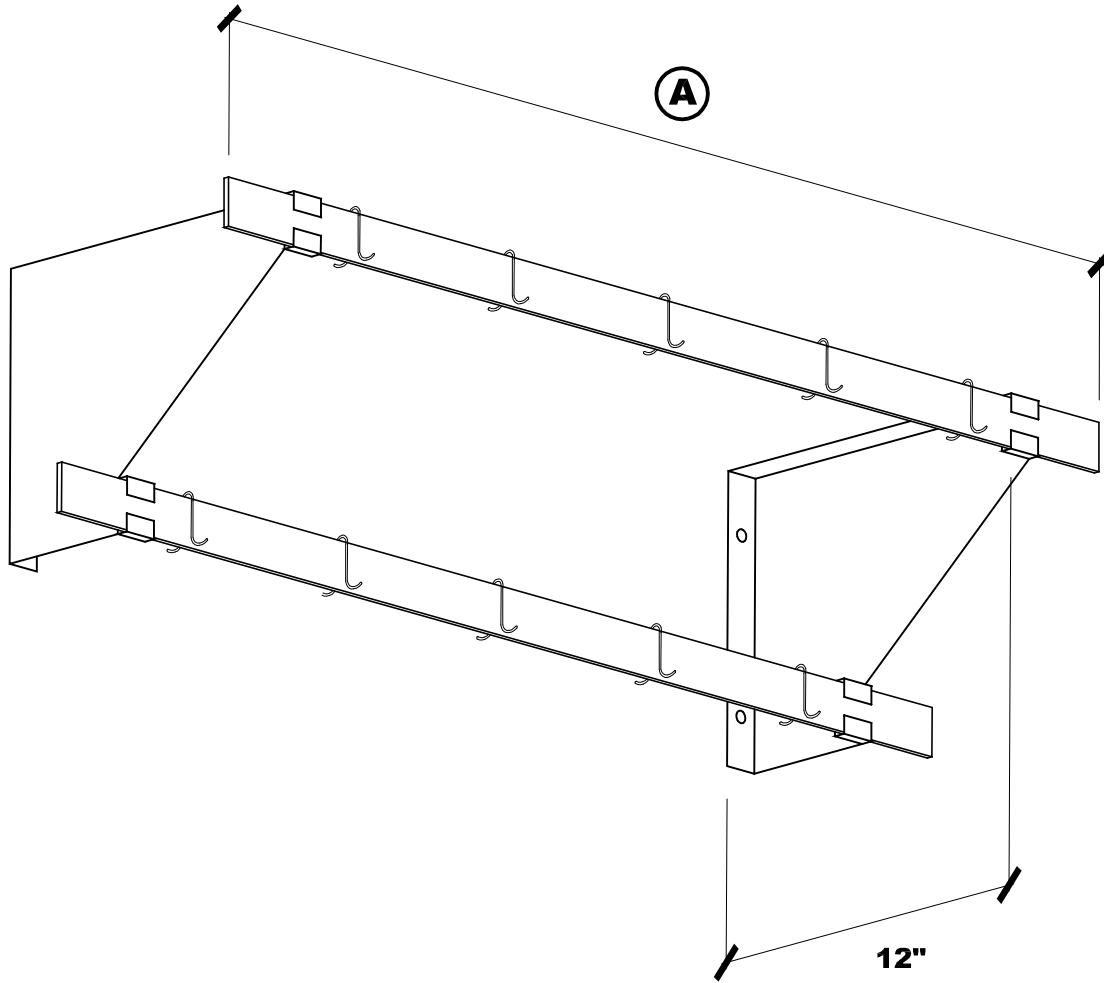
MODEL # TMD _____



MODEL # TMDS _____

SPECIFICATIONS

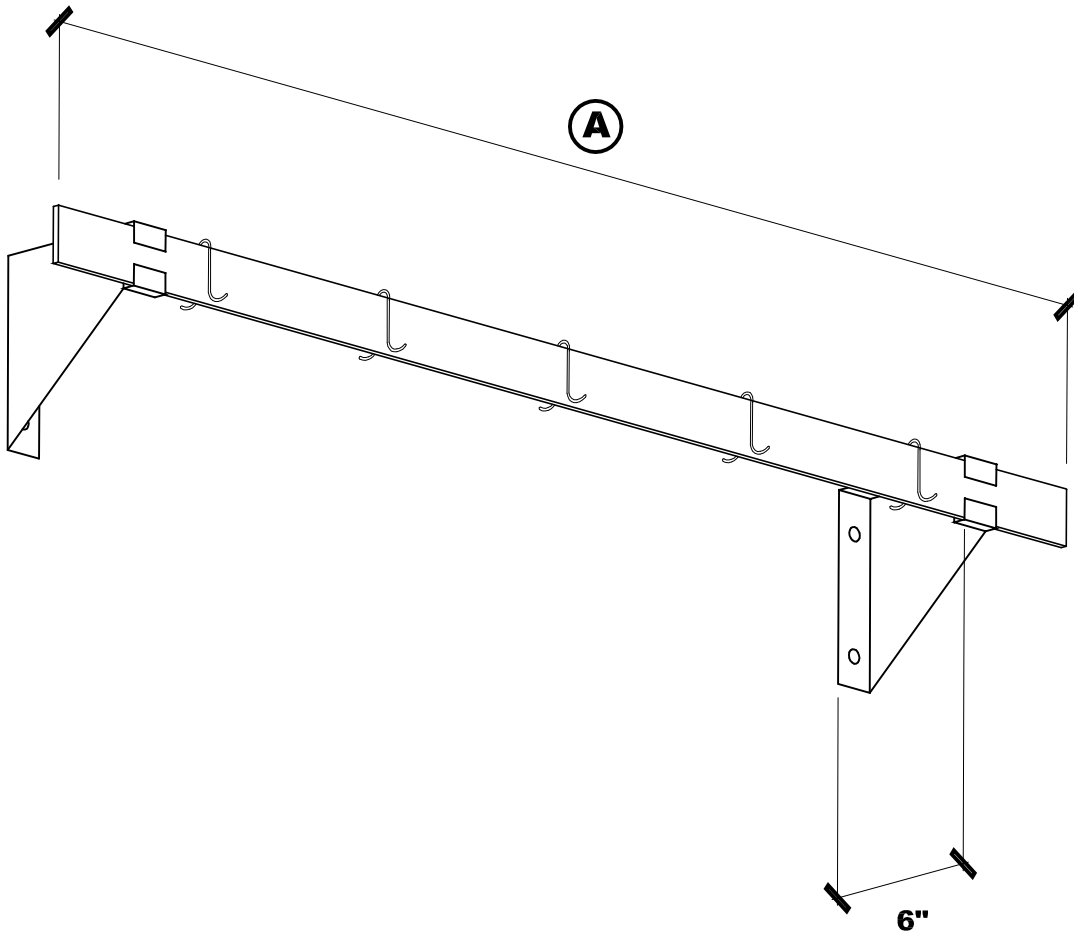
STA - PRO TMD AND TMDS SERIES TABLE MOUNT POTRACKS ARE CONSTRUCTED ENTIRELY OF TYPE 304 STAINLESS STEEL. THE 2" X .25" HOLLOW BAR RAILS HAVE TWO PRONGS S/S SLIDING POT HOOKS EVERY 12". THE 1" O.D. POSTS ARE WELDED TO THE S/S TABLE MOUNTING PLATES. SERIES TMDS INCLUDES A FULL LENGTH X 12" WIDE, 16GA. S/S REINFORCED SHELF. SPECIFY THE SERIES FOLLOWED BY THE LENGTH (A).



MADE IN
THE U.S.A.
CERTIFIED
TO ANSI

SPECIFICATIONS

STA - PRO WMD SERIES POT RACKS ARE CONSTRUCTED ENTIRELY OF TYPE 304 STAINLESS STEEL. THE 2" X 0.25" HOLLOW BAR RAILS ARE SUPPORTED BY ADJUSTABLE CENTER WALL MOUNTED BRACKETS. EACH RAIL HAS TWO PRONGS S/S SLIDING POT HOOKS EVERY 12". SPECIFY THE SERIES REQUIRED FOLLOWED BY THE LEHGTH (A).

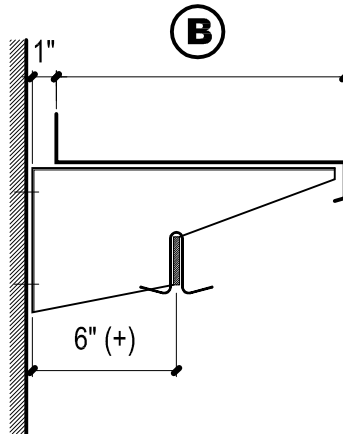
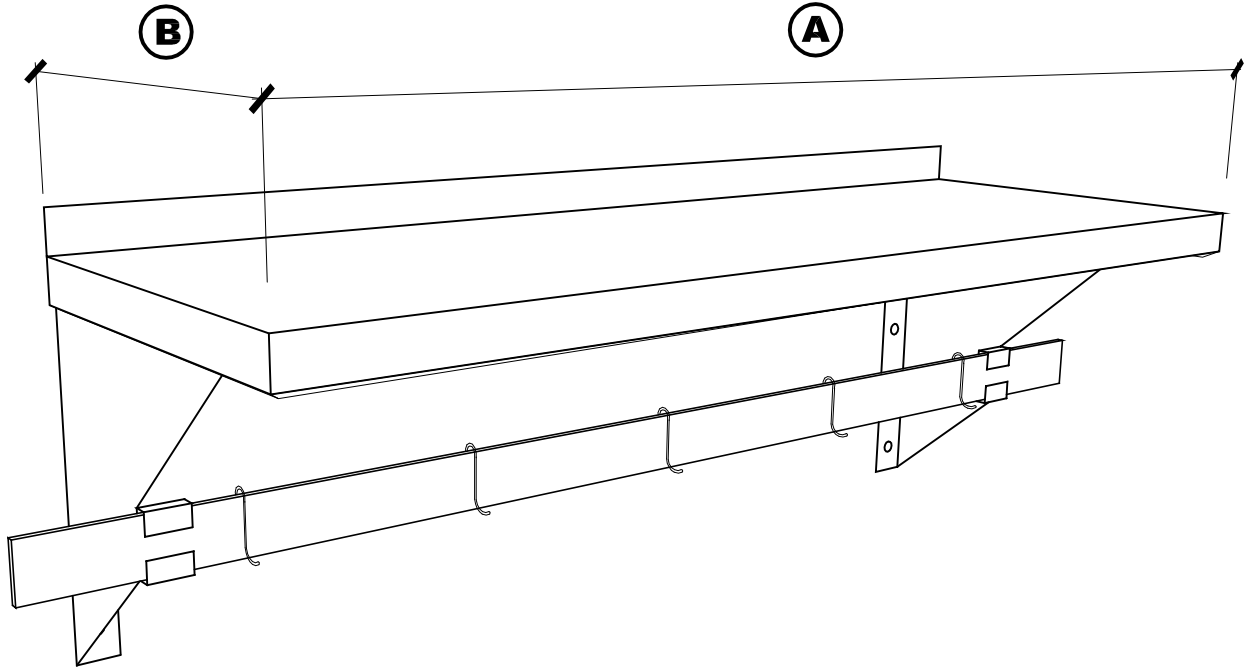


SPECIFICATIONS

STA - PRO WMS SERIES POT RACKS ARE CONSTRUCTED ENTIRELY OF TYPE 304 STAINLESS STEEL. THE 2" X 0.25" HOLLOW BAR RAILS ARE SUPPORTED BY ADJUSTABLE CENTER WALL MOUNTED BRACKETS. EACH RAIL HAS TWO PRONGS S/S SLIDING POT HOOKS EVERY 12". SPECIFY THE SERIES REQUIRED FOLLOWED BY THE LEHGH (A).



MADE IN
THE U.S.A
CERTIFIED
TO ANSI



SPECIFICATIONS



MADE IN
THE U.S.A
CERTIFIED
TO ANSI

STA - PRO WMS SERIES POT RACKS ARE CONSTRUCTED ENTIRELY OF TYPE 304 STAINLESS STEEL. THE 2" X 0.25" HOLLOW BAR RAILS ARE SUPPORTED BY ADJUSTABLE CENTER WALL MOUNTED BRACKETS. EACH RAIL HAS TWO PRONGS S/S SLIDING POT HOOKS EVERY 12". SPECIFY THE SERIES REQUIRED FOLLOWED BY THE LENGTH (A).