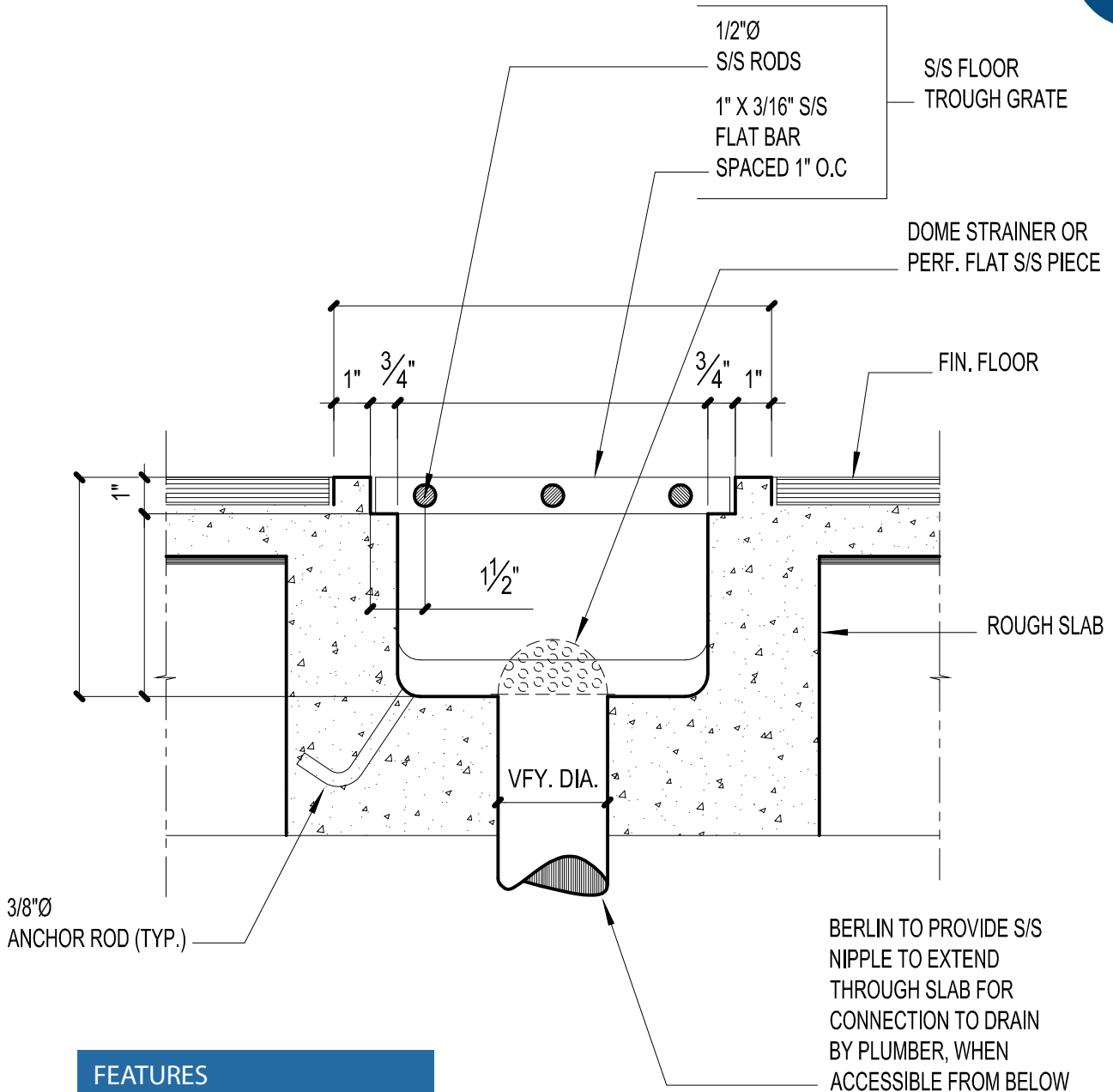


FLOOR TROUGH WITH GRATE



FEATURES

- 14GA S/S
- 316L AVAILABLE UPON REQUEST
- 3/16"x1" HEAVY DUTY GRATING
- S/S STRAINER BASKET W/ HANDLE
- PLUMBING SLEEVE AT OUTLET
- ALL SIZES AND STYLES AVAILABLE

USE FOR ARCHITECT / ENGINEER / CONTRACTOR APPROVAL

Job name _____

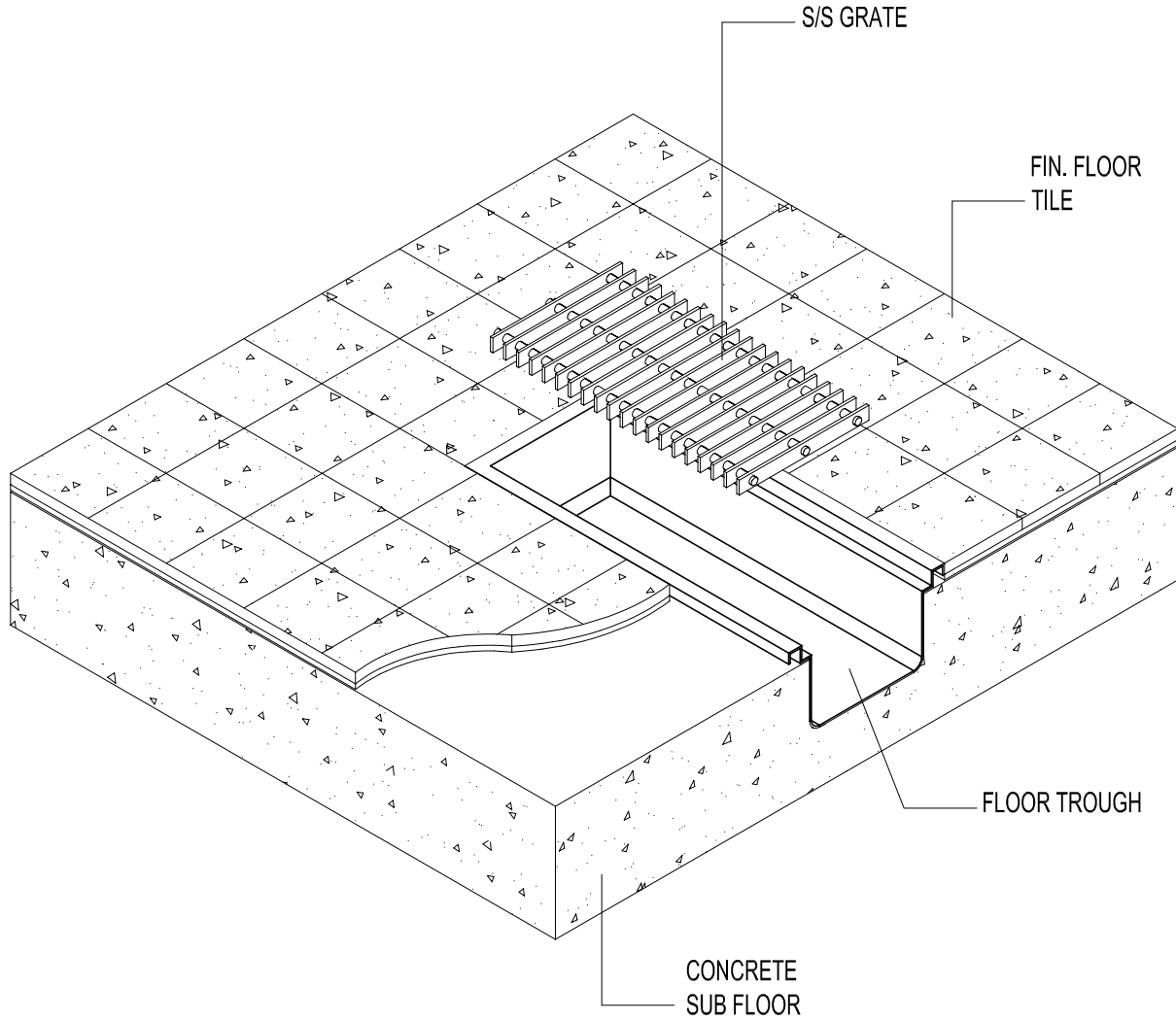
Date _____ QTY _____ Contractor _____

Model No. _____ Customer _____ Architect/Engineer _____

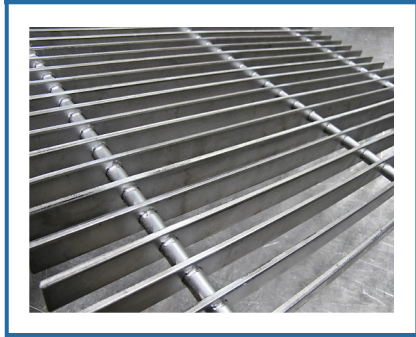


Performance Through Stainless!

FLOOR TROUGH WITH GRATE



S/S GRATE PHOTO



USE FOR ARCHITECT / ENGINEER / CONTRACTOR APPROVAL

Job name _____

Date _____ QTY _____ Contractor _____

Model No. _____ Customer _____ Architect/Engineer _____



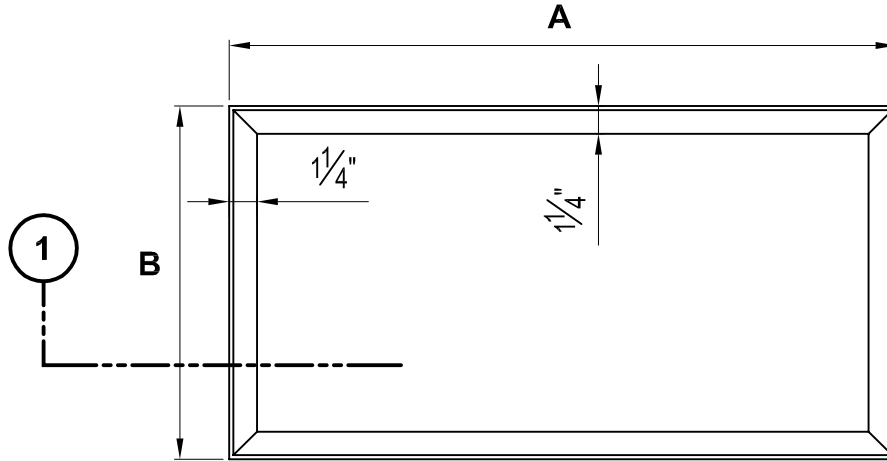
Performance Through Stainless!

43 South Linden Ave South San Francisco CA 94080 Ph (650) 589-4231 Fax (650) 589-3981 www.berlinusa.com

FLOOR TROUGH WITH GRATE

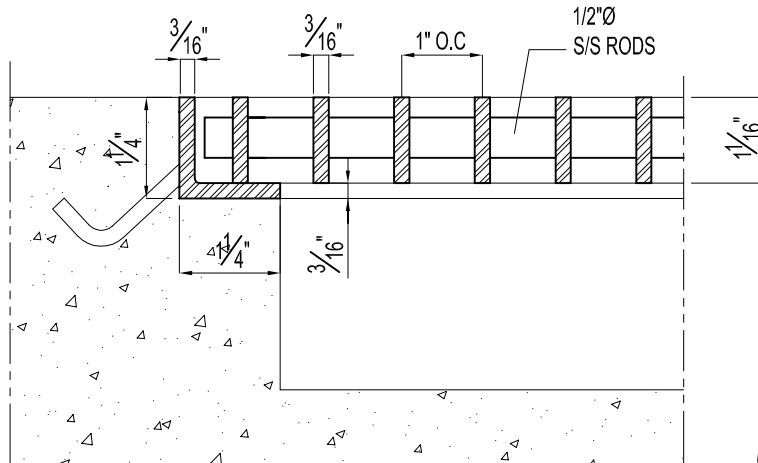


CUSTOM SIZE ORDER FORM



A = _____

B = _____



1 SECTION

USE FOR ARCHITECT / ENGINEER / CONTRACTOR APPROVAL

Job name _____

Date _____ QTY _____ Contractor _____

Model No. _____ Customer _____ Architect/Engineer _____



Performance Through Stainless!