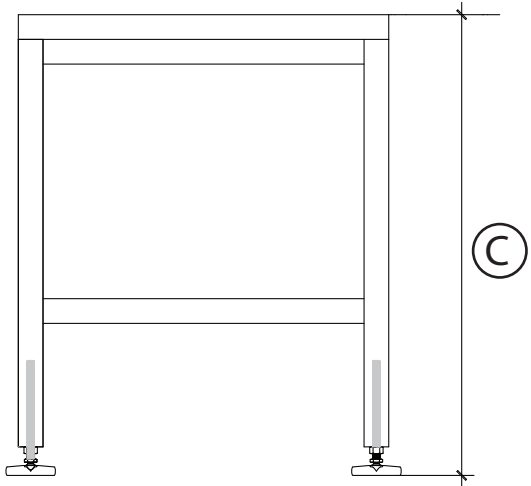
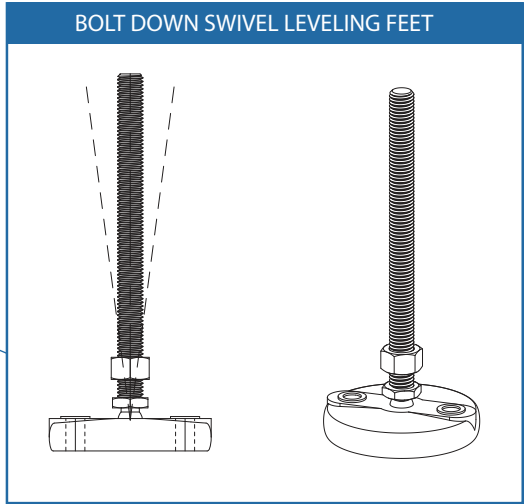
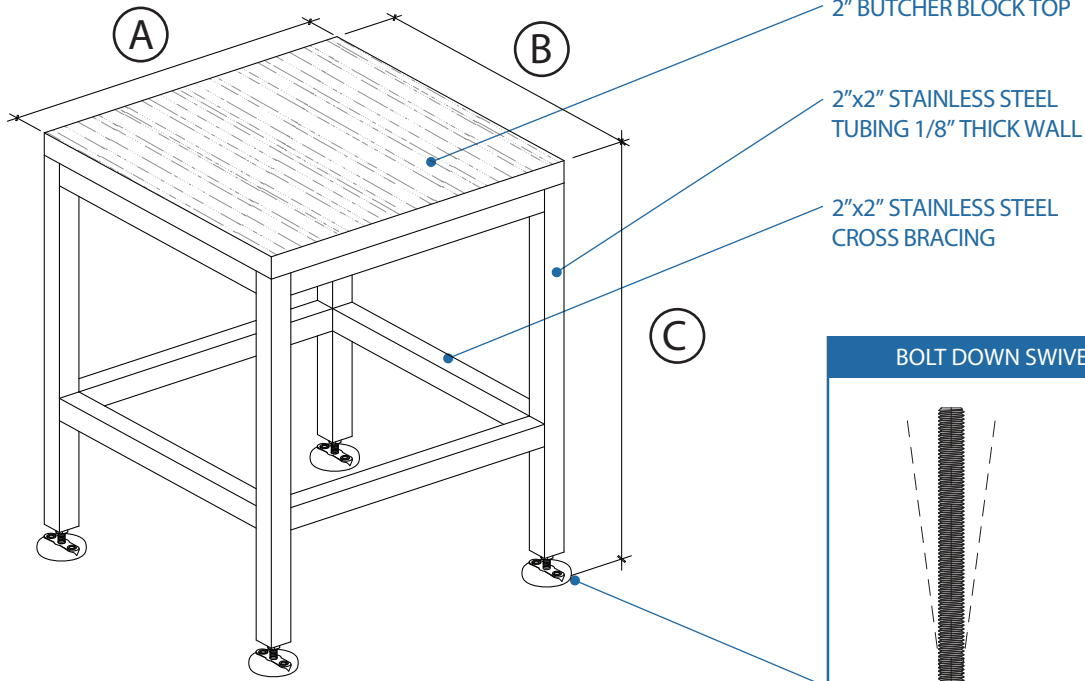


Made in the US since 1941

# HEAVY DUTY WEIGH TABLE

4000 lb RATED



### SPECIFY LENGTH, WIDTH, HEIGHT, AND OPTIONS FOR QUOTE

(A) _____	<input type="checkbox"/> 2" BUTCHER BLOCK TOP
(B) _____	<input type="checkbox"/> 2" SOLID MOBILE
(C) _____	<input type="checkbox"/> 2" BUTCHER BLOCK TOP

USE FOR ARCHITECT / ENGINEER / CONTRACTOR APPROVAL

Job name \_\_\_\_\_

Date \_\_\_\_\_ QTY \_\_\_\_\_ Contractor \_\_\_\_\_

Model No. \_\_\_\_\_ Customer \_\_\_\_\_ Architect/Engineer \_\_\_\_\_



## Performance Through Stainless!

43 South Linden Ave South San Francisco CA 94080 Ph (650) 589-4231 Fax (650) 589-3981 www.berlinusa.com