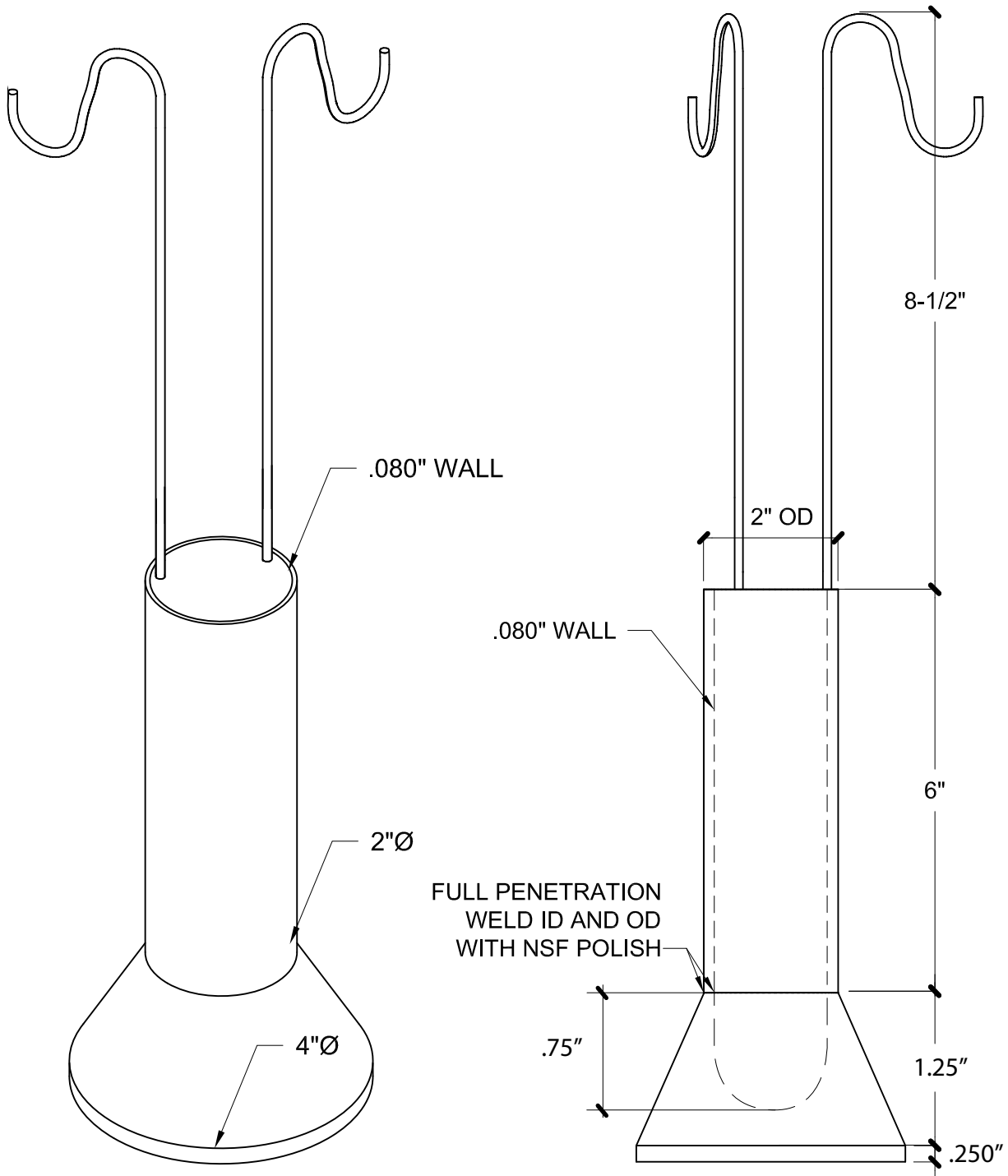


# FORCEPS HOLDER



USE FOR ARCHITECT / ENGINEER / CONTRACTOR APPROVAL

Job name \_\_\_\_\_

Date \_\_\_\_\_ QTY \_\_\_\_\_ Contractor \_\_\_\_\_

Model No. \_\_\_\_\_ Customer \_\_\_\_\_ Architect/Engineer \_\_\_\_\_



## Performance Through Stainless!