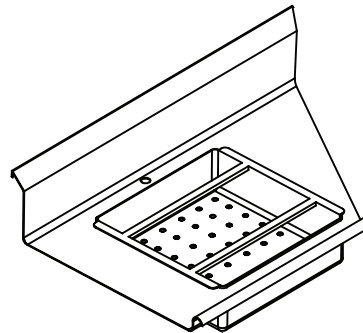
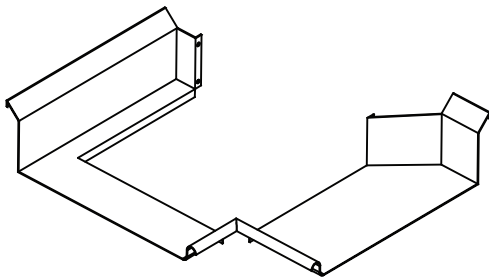
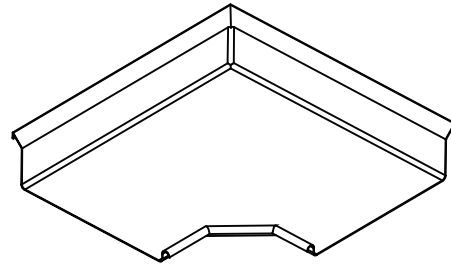
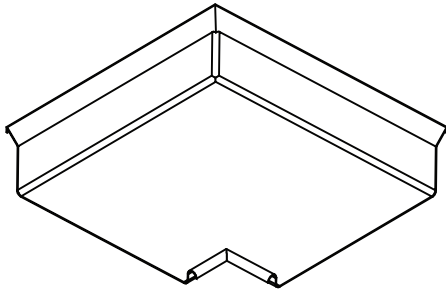
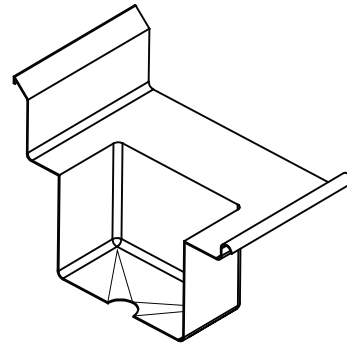
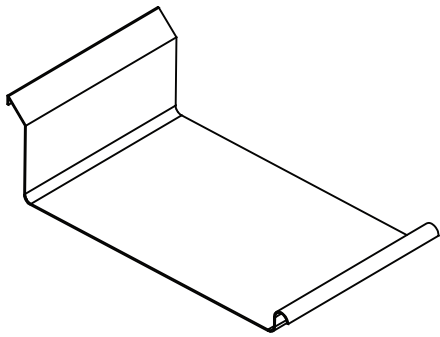
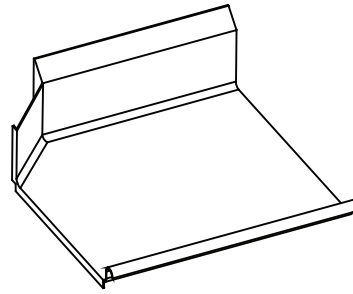
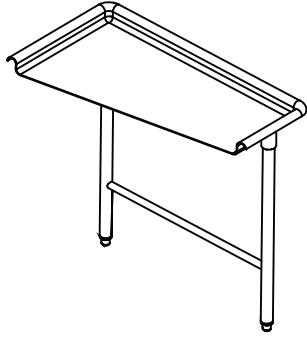


DISH TABLES

DETAILS



USE FOR ARCHITECT / ENGINEER / CONTRACTOR APPROVAL

Job name _____

Date _____ QTY _____ Contractor _____

Model No. _____ Customer _____ Architect/Engineer _____



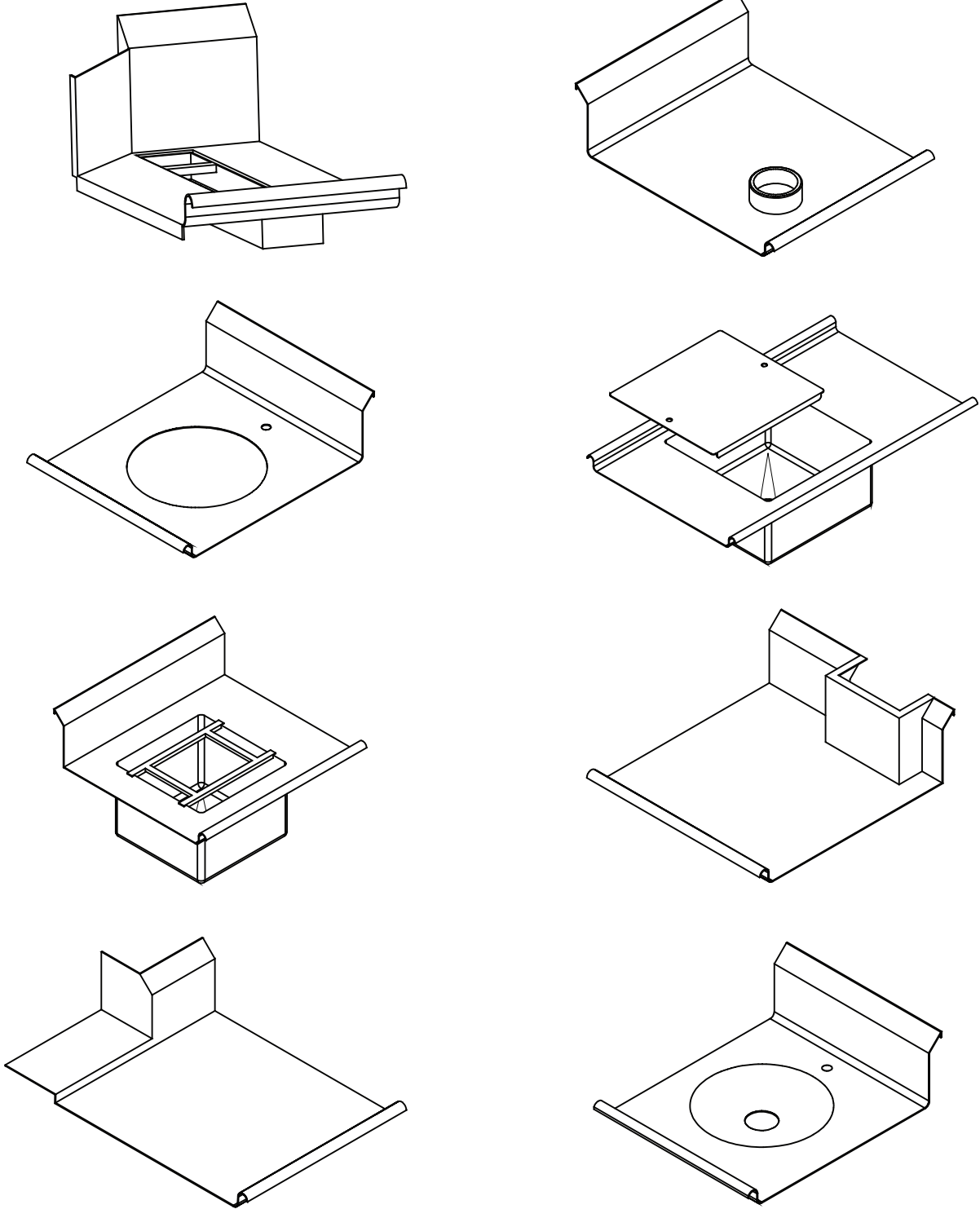
Performance Through Stainless!

Made in the US since 1941

DISH TABLES

DETAILS

T-304 N.S.F.
CONSTRUCTION



USE FOR ARCHITECT / ENGINEER / CONTRACTOR APPROVAL

Job name _____

Date _____ QTY _____ Contractor _____

Model No. _____ Customer _____ Architect/Engineer _____



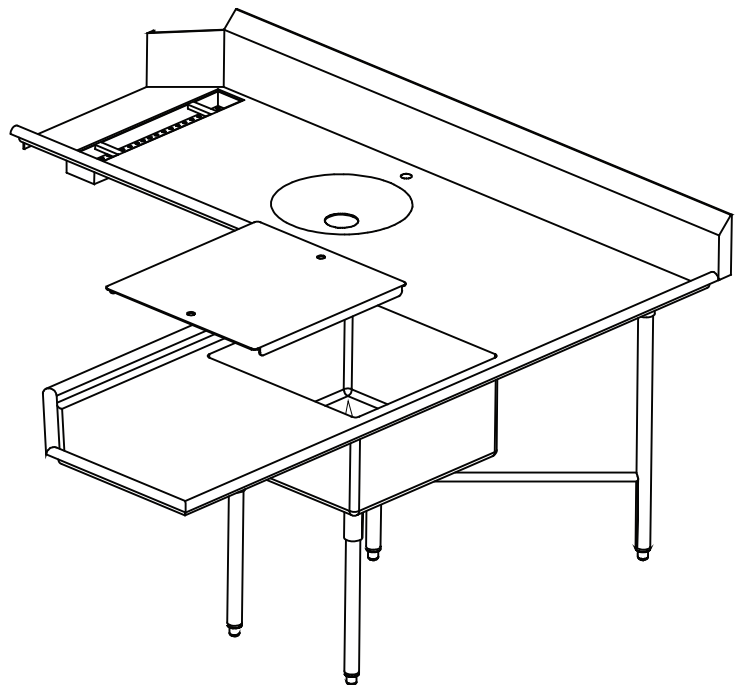
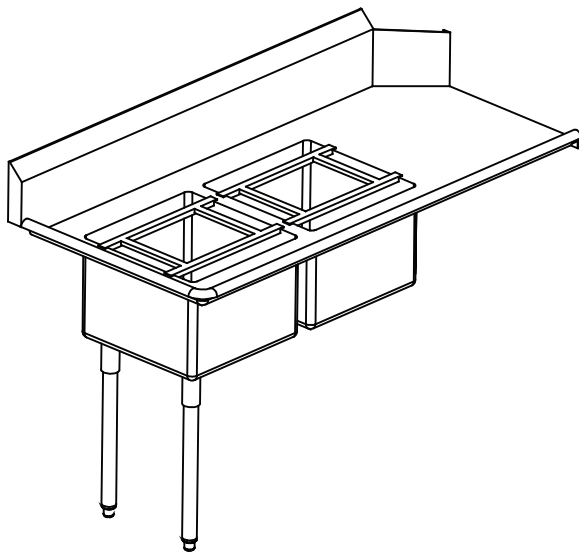
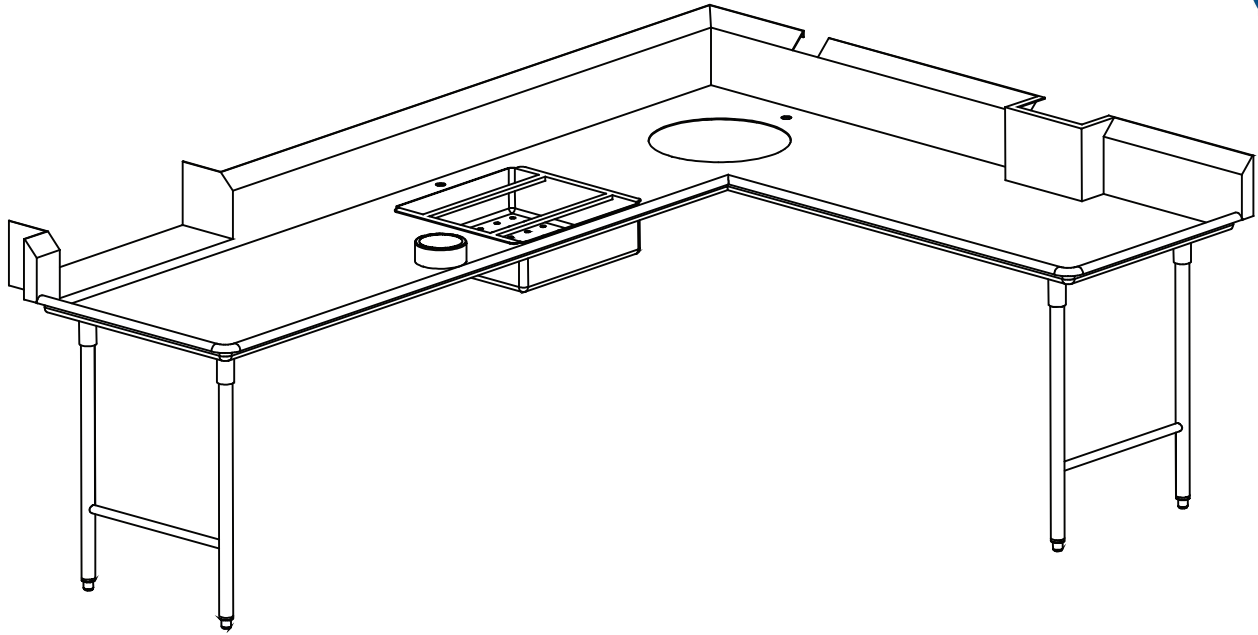
Performance Through Stainless!

43 South Linden Ave South San Francisco CA 94080 Ph (650) 589-4231 Fax (650) 589-3981 www.berlinusa.com

Made in the US since 1941

DISH TABLES

T-304 N.S.F.
CONSTRUCTION



SEPCIFICATIONS

- 16 GAUGE, TYPE 302, SERIES 18-8 STAINLESS STEEL
- WELDED AND POLISHED SMOOTH SEAMS
- AVAILABLE STANDARD SQUARE CORNERS
- AVAILABLE NSF APPROVED CONSTRUCTION

USE FOR ARCHITECT / ENGINEER / CONTRACTOR APPROVAL

Job name _____

Date _____ QTY _____ Contractor _____

Model No. _____ Customer _____ Architect/Engineer _____



Performance Through Stainless!

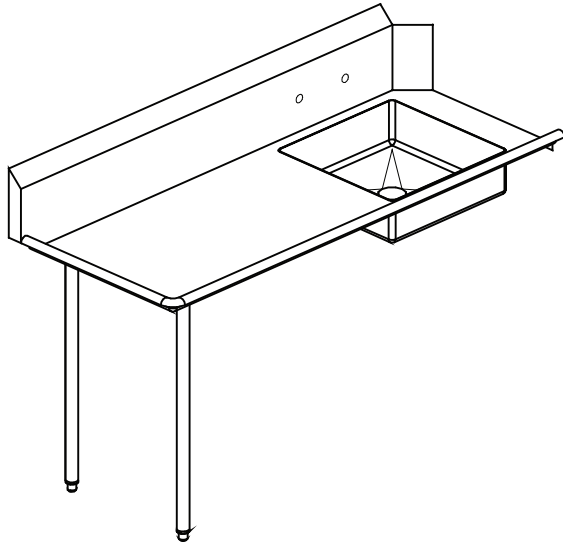
43 South Linden Ave South San Francisco CA 94080 Ph (650) 589-4231 Fax (650) 589-3981 www.berlinusa.com

Made in the US since 1941

DISH TABLES

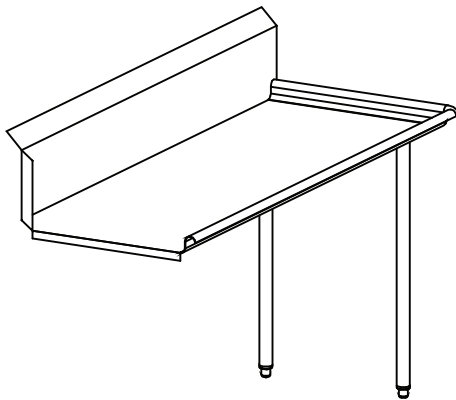
CLEAN & SOILED

T-304 N.S.F.
CONSTRUCTION



SOILED DISHTABLE

MODEL NO.	NET WT.	PRICE
3-SDT	65 LBS	\$ 990
4-SDT	76 LBS	\$1052
5-SDT	87 LBS	\$1114
6-SDT	98 LBS	\$1176
7-SDT	116 LBS	\$1356
8-SDT	127 LBS	\$1418
9-SDT	138 LBS	\$1480
10-SDT	149 LBS	\$1542



CLEAN DISHTABLE

MODEL NO.	NET WT.	PRICE
2-CDT	24 LBS	\$ 606
3-CDT	35 LBS	\$ 668
4-CDT	46 LBS	\$ 730
5-CDT	57LBS	\$ 792
6-CDT	68 LBS	\$ 854
7-CDT	85 LBS	\$1034
8-CDT	96 LBS	\$1096
9-CDT	107 LBS	\$1158
10-CDT	118 LBS	\$1220

USE FOR ARCHITECT / ENGINEER / CONTRACTOR APPROVAL

Job name _____

Date _____ QTY _____ Contractor _____

Model No. _____ Customer _____ Architect/Engineer _____



Performance Through Stainless!

43 South Linden Ave South San Francisco CA 94080 Ph (650) 589-4231 Fax (650) 589-3981 www.berlinusa.com