

- 2 PIECES CONSTRUCTION AVAILABLE.
- ADJUSTABLE POLY PRO PIVOTING FEET.
- 16GA T-304, #4 FIN. ( T-316 AVAILABLE).
- 2" HEAVY DUTY S/S SQUARE TUBE LEGS.
- 1-5/8" ROUND S/S CROSS BRACING.

USE FOR ARCHITECT / ENGINEER / CONTRACTOR APPROVAL

JOB NAME \_\_\_\_\_ DATE \_\_\_\_\_

MODEL No. \_\_\_\_\_ QTY \_\_\_\_\_

CUSTOMER \_\_\_\_\_

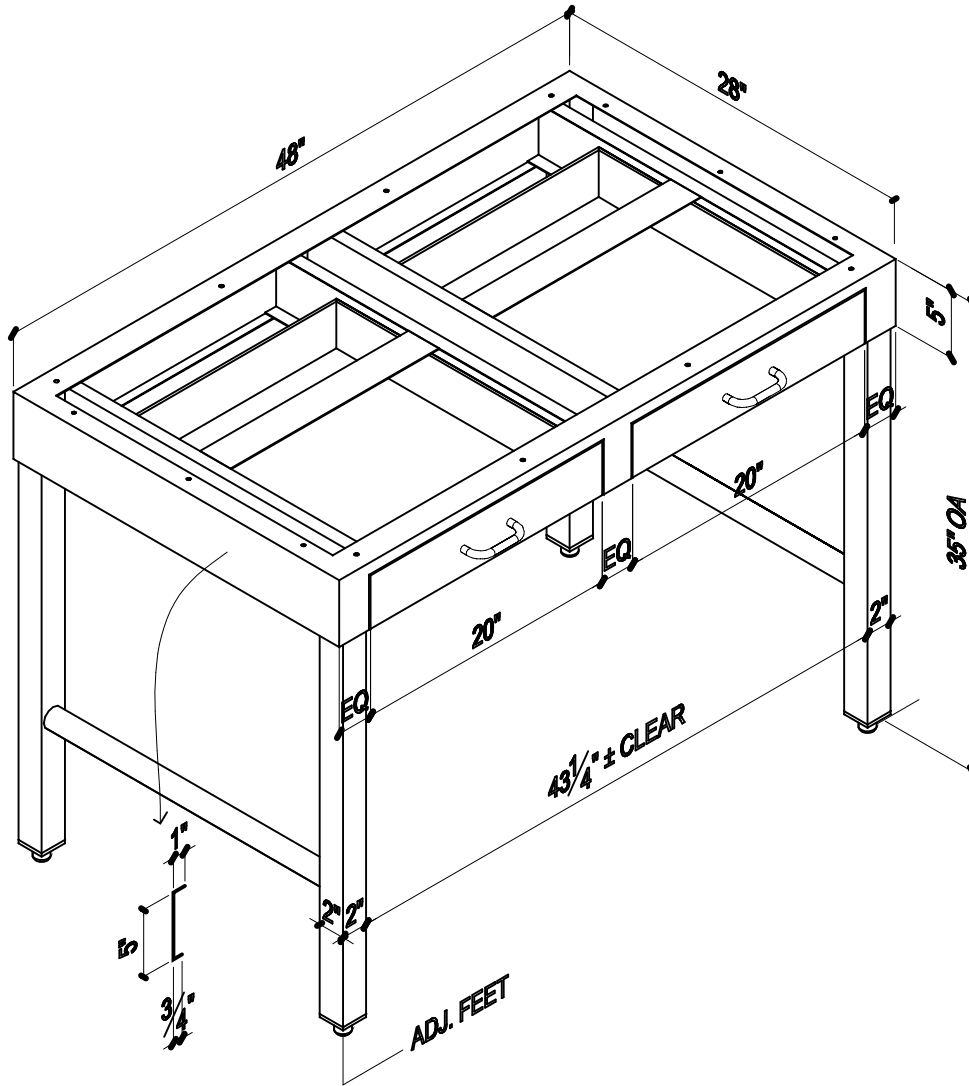
CONTRACTOR \_\_\_\_\_

ARCHITECT / ENGINEER \_\_\_\_\_



MADE IN  
THE U.S.A  
CERTIFIED  
TO ANSI





- 2 PIECES CONSTRUCTION AVAILABLE.
- ADJUSTABLE POLY PRO PIVOTING FEET.
- 16GA T-304, #4 FIN. ( T-316 AVAILABLE).
- 2" HEAVY DUTY S/S SQUARE TUBE LEGS.
- 1-5/8" ROUND S/S CROSS BRACING.

USE FOR ARCHITECT / ENGINEER / CONTRACTOR APPROVAL

JOB NAME \_\_\_\_\_ DATE \_\_\_\_\_

MODEL No. \_\_\_\_\_ QTY \_\_\_\_\_

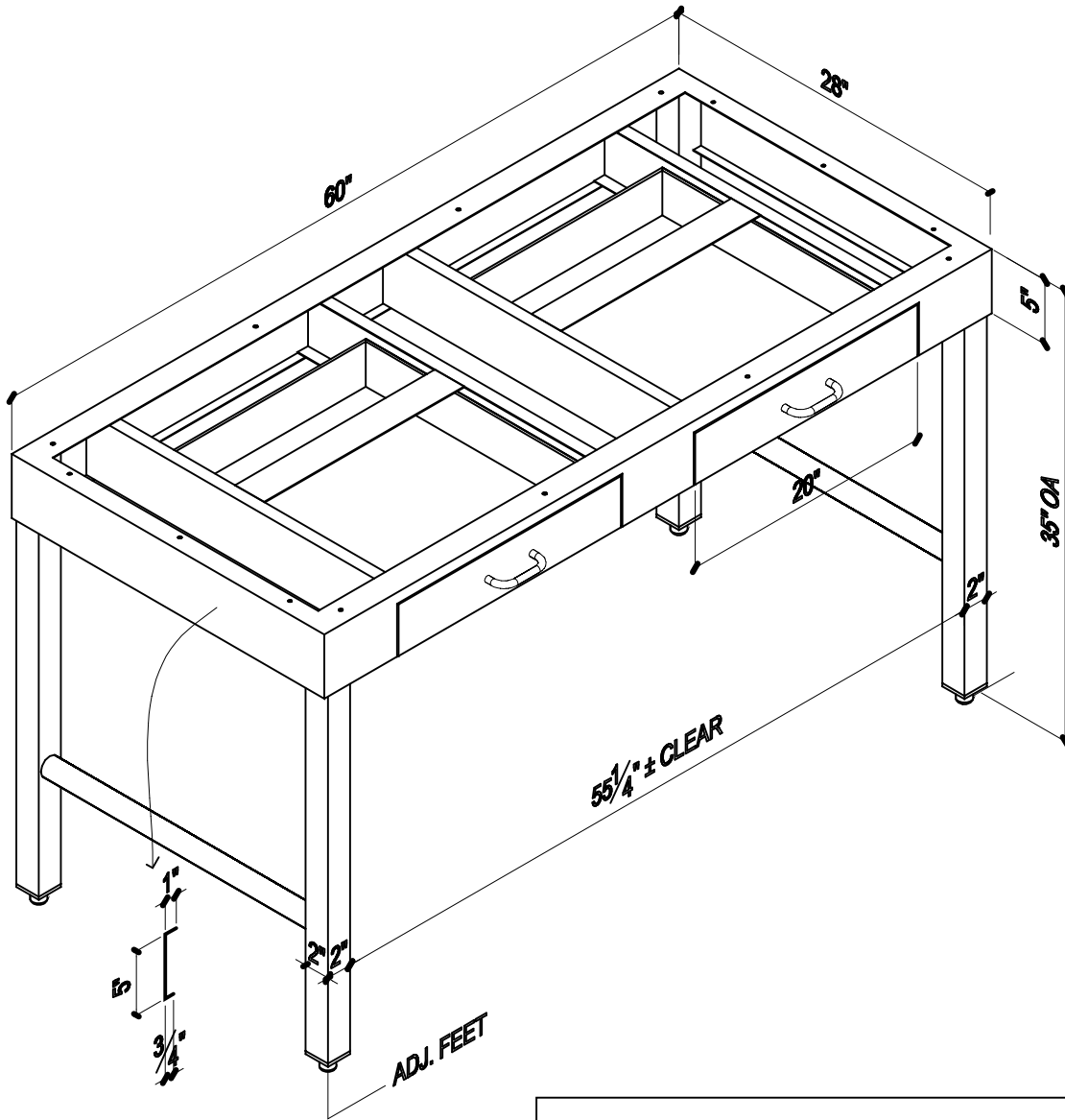
CUSTOMER \_\_\_\_\_

CONTRACTOR \_\_\_\_\_

ARCHITECT / ENGINEER \_\_\_\_\_



MADE IN  
THE U.S.A  
CERTIFIED  
TO ANSI



- 2 PIECES CONSTRUCTION AVAILABLE.
- ADJUSTABLE POLY PRO PIVOTING FEET.
- 16GA T-304, #4 FIN. ( T-316 AVAILABLE).
- 2" HEAVY DUTY S/S SQUARE TUBE LEGS.
- 1-5/8" ROUND S/S CROSS BRACING.

USE FOR ARCHITECT / ENGINEER / CONTRACTOR APPROVAL

JOB NAME \_\_\_\_\_ DATE \_\_\_\_\_

MODEL No. \_\_\_\_\_ QTY \_\_\_\_\_

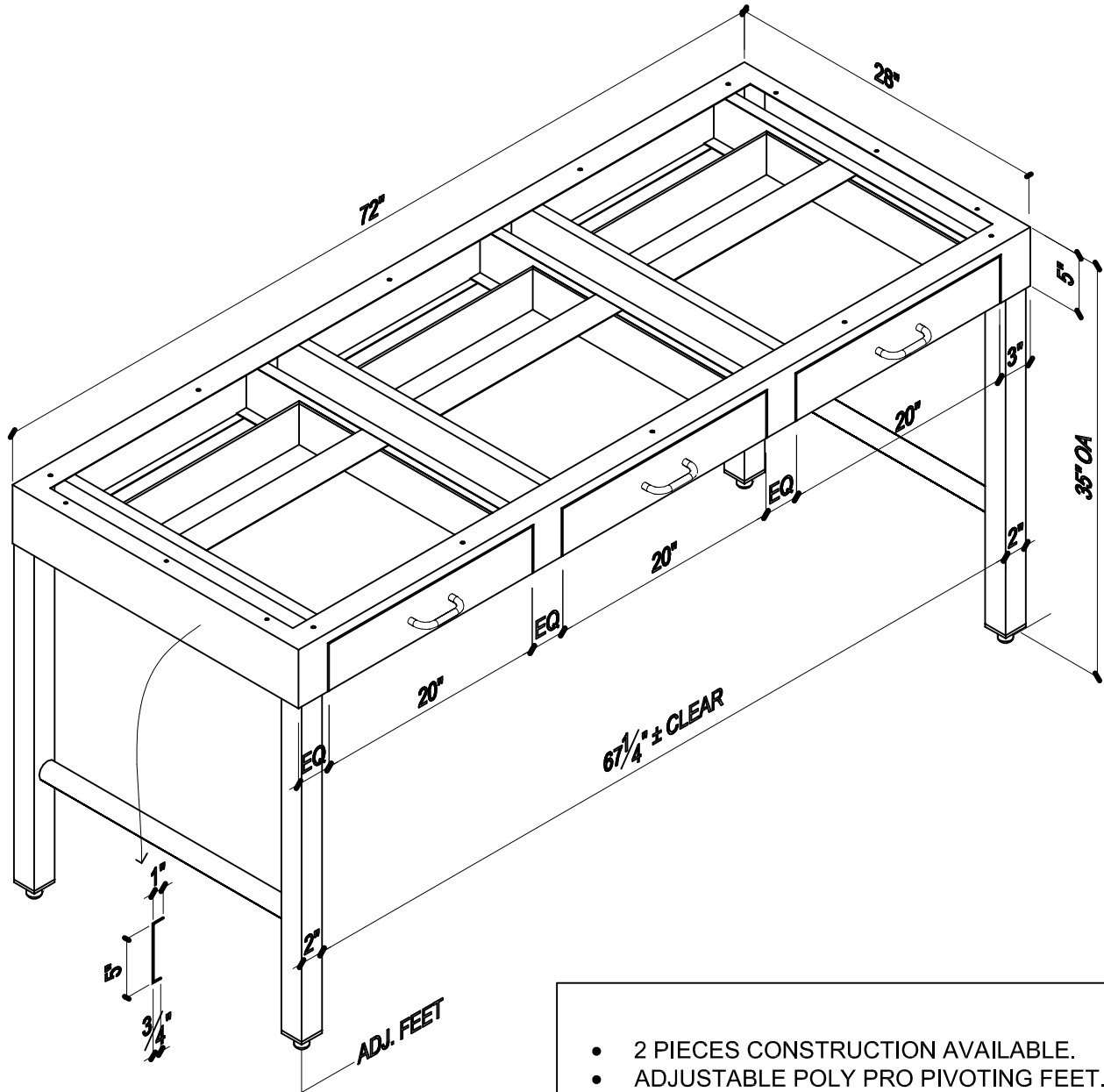
CUSTOMER \_\_\_\_\_

CONTRACTOR \_\_\_\_\_

ARCHITECT / ENGINEER \_\_\_\_\_



MADE IN  
THE U.S.A  
CERTIFIED  
TO ANSI



- 2 PIECES CONSTRUCTION AVAILABLE.
- ADJUSTABLE POLY PRO PIVOTING FEET.
- 16GA T-304, #4 FIN. ( T-316 AVAILABLE).
- 2" HEAVY DUTY S/S SQUARE TUBE LEGS.
- 1-5/8" ROUND S/S CROSS BRACING.

USE FOR ARCHITECT / ENGINEER / CONTRACTOR APPROVAL

JOB NAME \_\_\_\_\_ DATE \_\_\_\_\_

MODEL No. \_\_\_\_\_ QTY \_\_\_\_\_

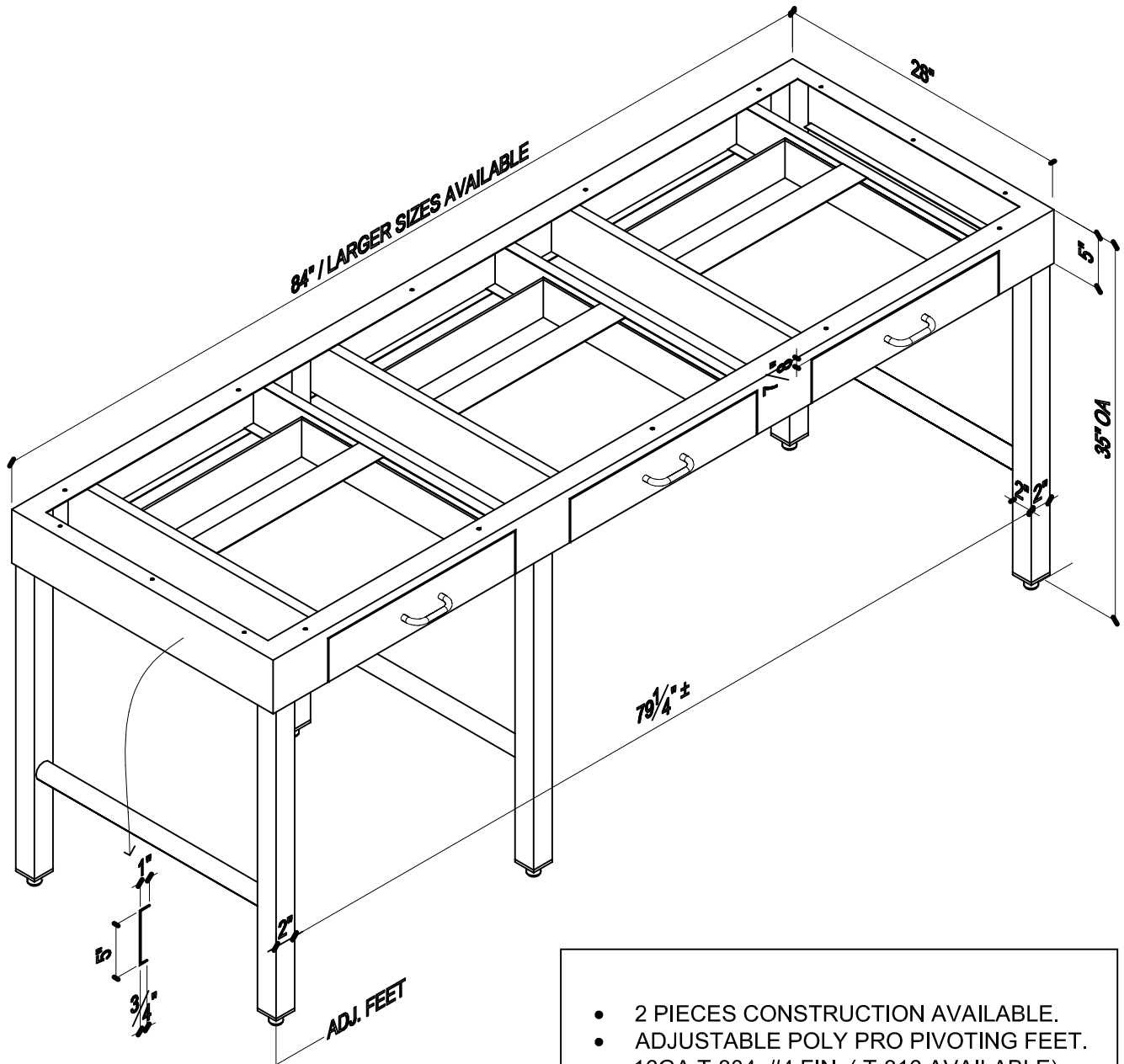
CUSTOMER \_\_\_\_\_

CONTRACTOR \_\_\_\_\_

ARCHITECT / ENGINEER \_\_\_\_\_



MADE IN  
THE U.S.A  
CERTIFIED  
TO ANSI



- 2 PIECES CONSTRUCTION AVAILABLE.
- ADJUSTABLE POLY PRO PIVOTING FEET.
- 16GA T-304, #4 FIN. ( T-316 AVAILABLE).
- 2" HEAVY DUTY S/S SQUARE TUBE LEGS.
- 1-5/8" ROUND S/S CROSS BRACING.

USE FOR ARCHITECT / ENGINEER / CONTRACTOR APPROVAL

JOB NAME \_\_\_\_\_ DATE \_\_\_\_\_

MODEL No. \_\_\_\_\_ QTY \_\_\_\_\_

CUSTOMER \_\_\_\_\_

CONTRACTOR \_\_\_\_\_

ARCHITECT / ENGINEER \_\_\_\_\_



MADE IN  
THE U.S.A  
CERTIFIED  
TO ANSI