

FRONT VIEW

SCALE: 3"=1'-0"

USE FOR ARCHITECT / ENGINEER / CONTRACTOR APPROVAL

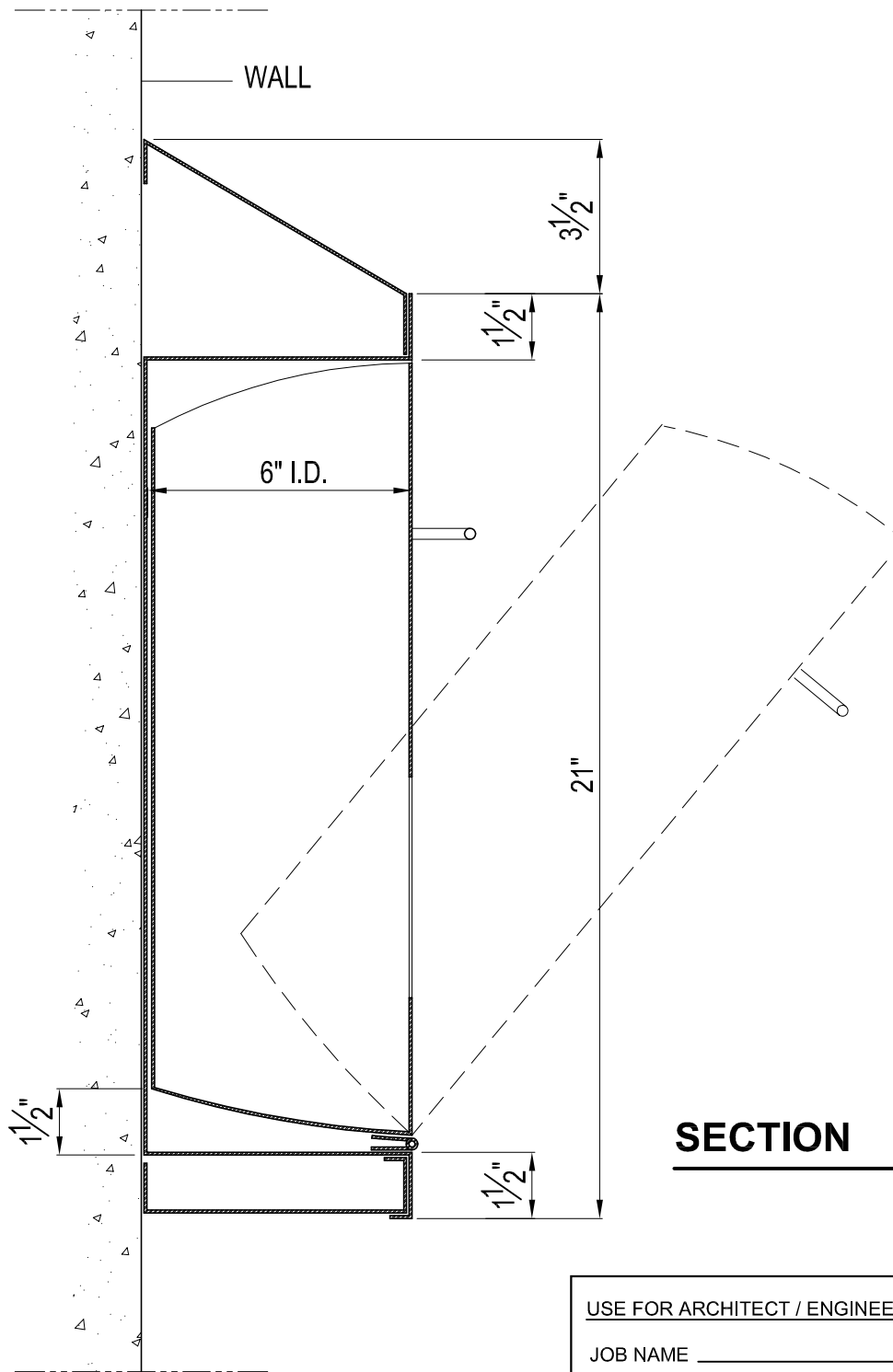
JOB NAME _____ DATE _____

MODEL No. _____ QTY _____

CUSTOMER _____

CONTRACTOR _____

ARCHITECT / ENGINEER _____



SECTION

SCALE: 3"=1'-0"

USE FOR ARCHITECT / ENGINEER / CONTRACTOR APPROVAL

JOB NAME _____ DATE _____

MODEL No. _____ QTY _____

CUSTOMER _____

CONTRACTOR _____

ARCHITECT / ENGINEER _____