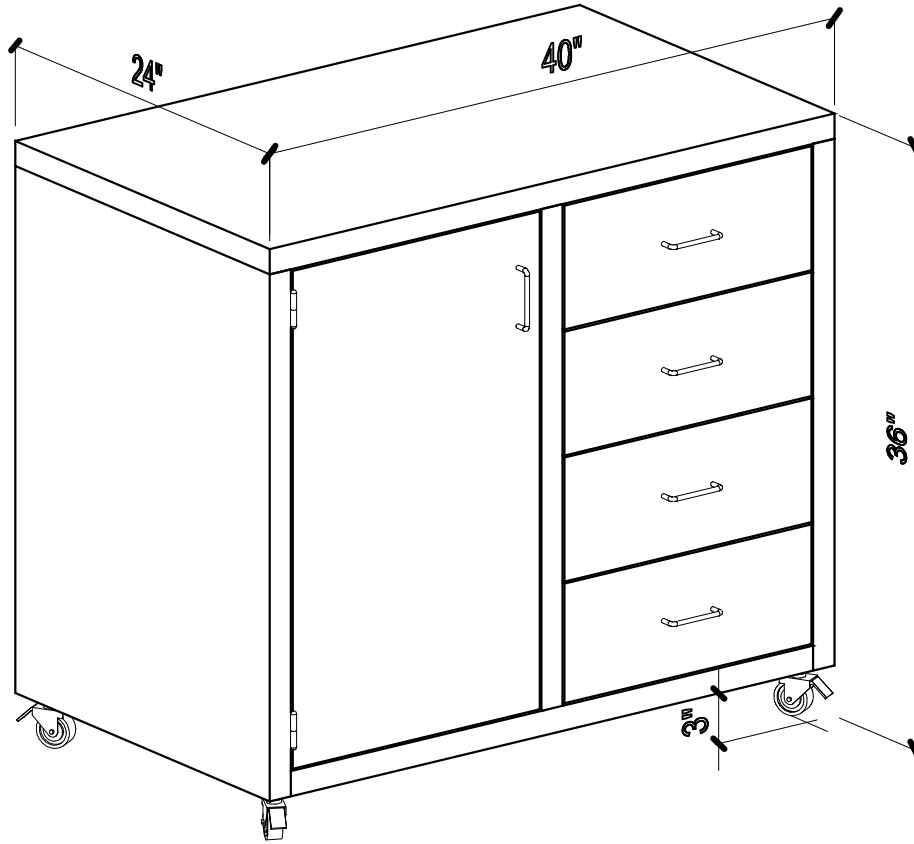


S/S CLEAN ROOM MOBILE PART CABINET MOD: # CRMP-43



SPECIFICATIONS:

- T304 S/S CONSTRUCTION.
- HEAVY DUTY 14GA. S.S CONSTRUCTION.
- S/S WIRE PULL HANDLES.
- NON MARKING SOFT ROLL CLEAN ROOM CASTERS WITH BRAKES.
- S/S HINGES & HARDWARE.
- 14GA. S/S REINFORCED WORKTOP.
- REMOVABLE DRAWER SLIDES.



MADE IN
 THE U.S.A
 CERTIFIED
 TO ANSI

USE FOR ARCHITECT / ENGINEER / CONTRACTOR APPROVAL

JOB NAME _____ DATE _____

MODEL No. _____ QTY _____

CUSTOMER _____

CONTRACTOR _____

ARCHITECT / ENGINEER _____