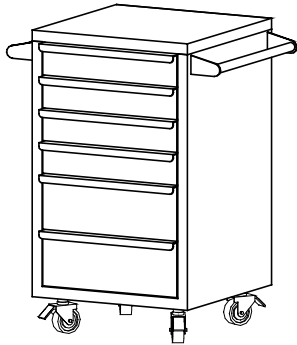
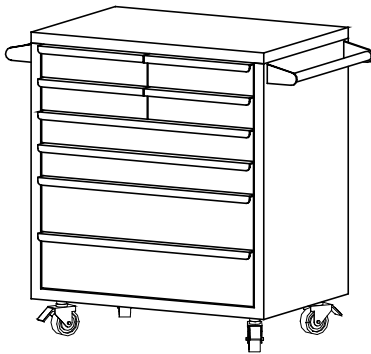


STAINLESS STEEL T-304, #4 FACTORY FINISH

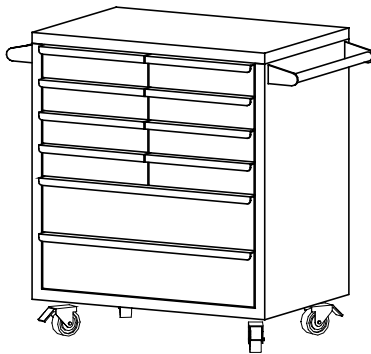
NOW WITH HDPE REMOVABLE WORKTOPS!



MOD: 6-RTC



MOD: 8-RTC



MOD: 10-RTC

MODEL #	LENGHT	HEIGHT	DEPTH	LIST
6-RTC	24"	42"	24"	\$ 4,250.00
8-RTC	36"	42"	24"	\$ 5,249.00
10-RTC	36"	42"	24"	\$ 6,159.00

ALL MAKE AND MODEL SIGNATURE TOOL CABINETS INCLUDE:

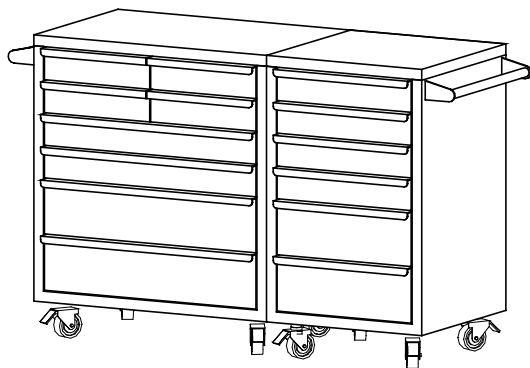
STAINLESS STEEL CASTERS WITH LOCKS, STAINLESS STEEL DRAWER SLIDES, STAINLESS STEEL DRAWER PULLS, 16GA. BODY CONSTRUCTION, FULLY WELDED DRAWER PANS, AND SUPERIOR DURABILITY BUILT-IN WITH LIFETIME WARRANTY!

SEE HOW WE STACK UP TO YOUR COMPETETION!

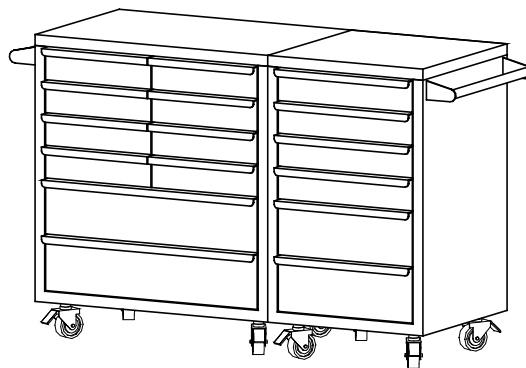
	BERLINUSA.COM	COMPETITION
CASTERS	S/S WITH POLY WHEEL	ZINC PLATED POLY WHEEL
SLIDES	STAINLESS STEEL	ZINC PLATED
PANS	STAINLESS STEEL	STEEL POWDER COATED
HANDLES	STAINLESS STEEL H/D	STEEL PLATED / PLASTIC
WARRANTY	LIFETIME	LIMITED LIFETIME / 1 YEAR
DURABILITY	EXTREME CONDITIONS	MODERATE CONDITIONS

USE FOR ARCHITECT / ENGINEER / CONTRACTOR APPROVAL

_____ DATE _____ JOB NAME
 _____ QTY _____ MODEL No.
 _____ CUSTOMER
 _____ CONTRACTOR
 _____ ARCHITECT / ENGINEER



14 DRAWER COMBO



16 DRAWER COMBO

OR COMBINE YOUR
 U N I T S W I T H
 A Q U I C K B O L T U P
 C O N N E C T I O N
 T O M A K E A 60" R O L L
 A W A Y U N I T !



MADE IN
 THE U.S.A
 CERTIFIED
 TO ANS I