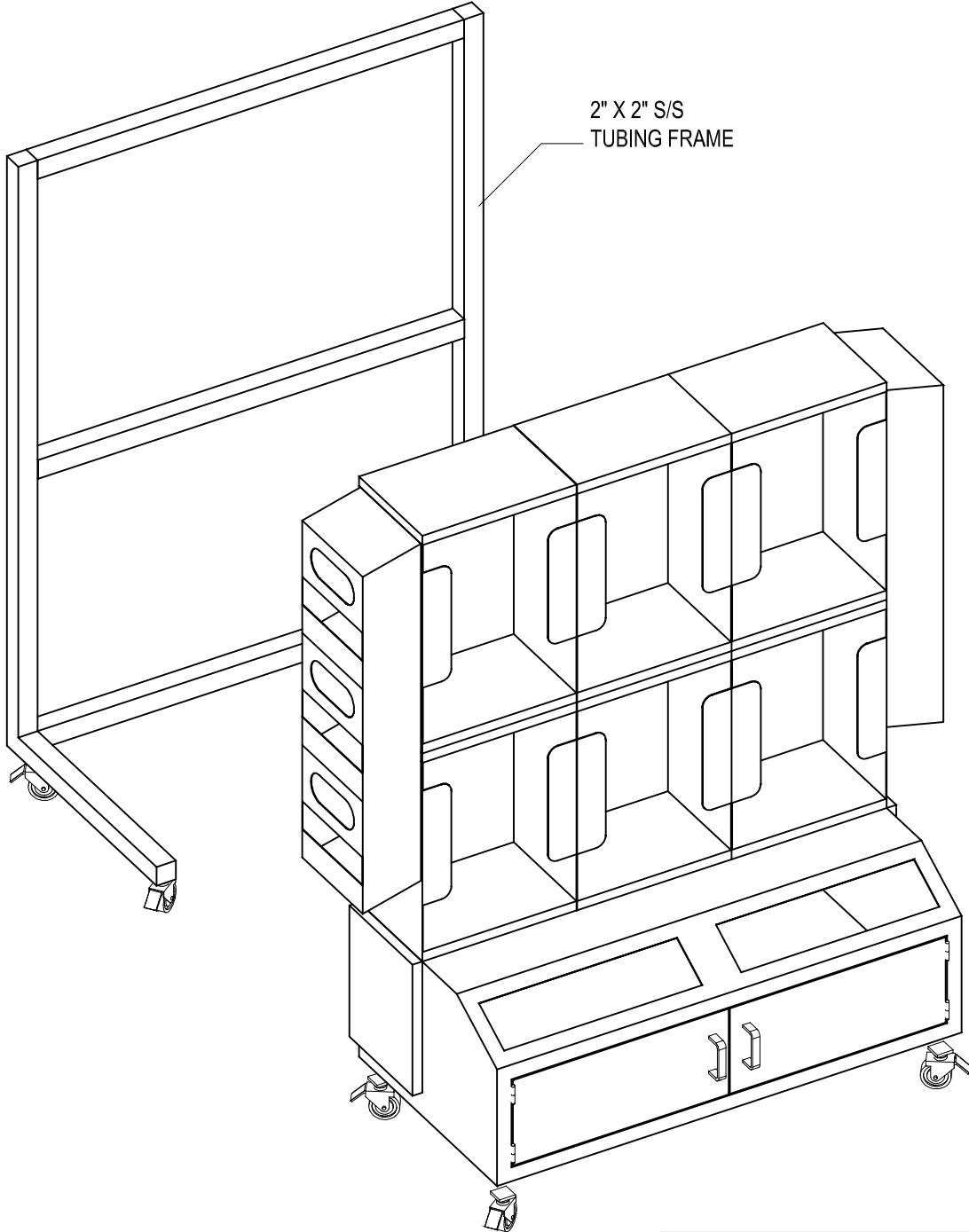


**16GA. S/S CONSTR. MOBILE CLEAN ROOM GOWNING STATION**

- ALL #4 FIN. T-304 S/S.
- 316 & 316 L AVAILABLE.



MADE IN  
 THE U.S.A  
 CERTIFIED  
 TO ANSI

**USE FOR ARCHITECT / ENGINEER / CONTRACTOR APPROVAL**

JOB NAME \_\_\_\_\_ DATE \_\_\_\_\_

MODEL No. \_\_\_\_\_ QTY \_\_\_\_\_

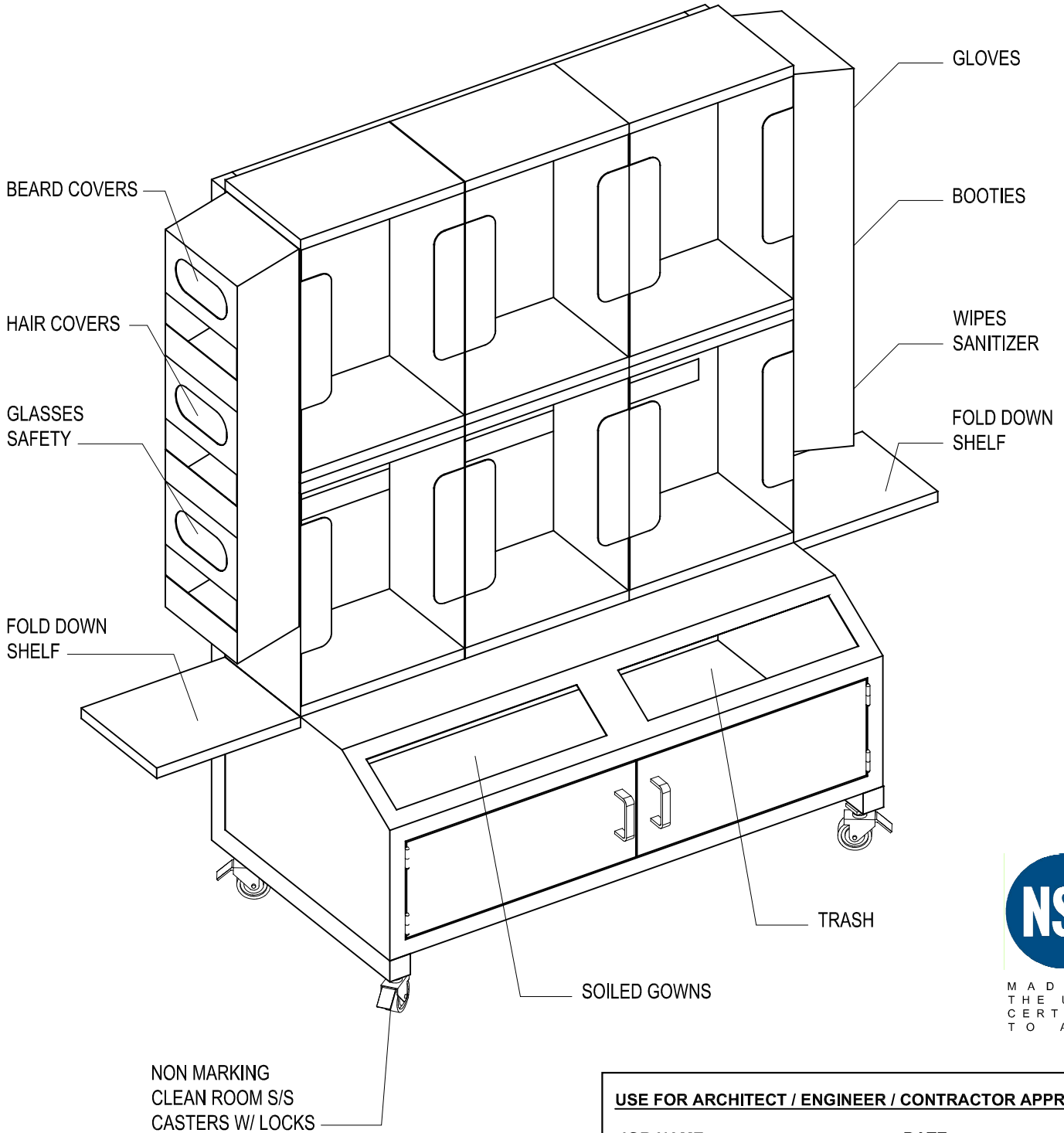
CUSTOMER \_\_\_\_\_

CONTRACTOR \_\_\_\_\_

ARCHITECT / ENGINEER \_\_\_\_\_

**16GA. S/S CONSTR. MOBILE CLEAN ROOM GOWNING STATION**

- ALL #4 FIN. T-304 S/S.
- 316 & 316 L AVAILABLE.

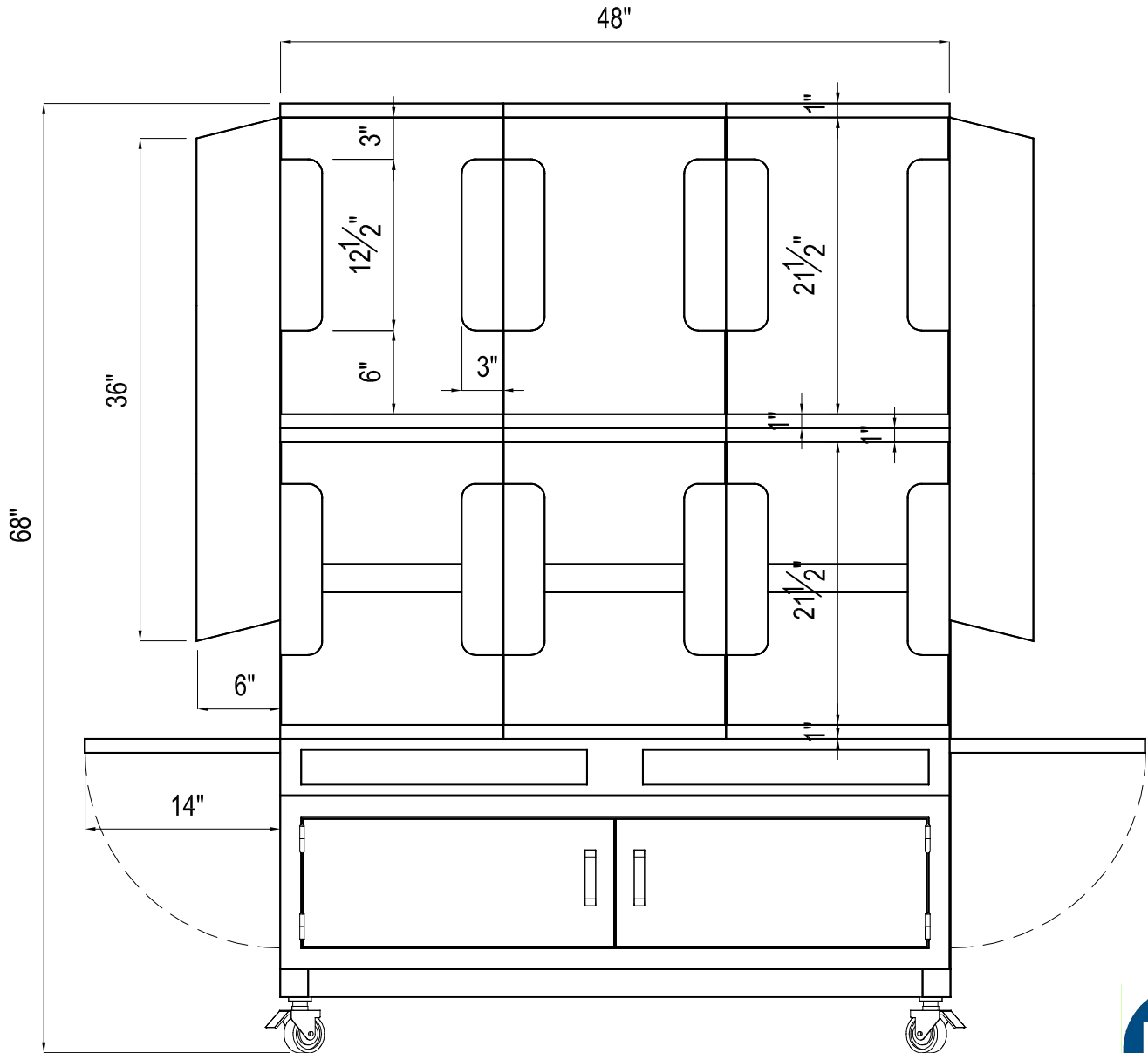


MADE IN THE U.S.A  
 CERTIFIED TO ANSI

<b>USE FOR ARCHITECT / ENGINEER / CONTRACTOR APPROVAL</b>	
JOB NAME _____	DATE _____
MODEL No. _____	QTY _____
CUSTOMER _____	
CONTRACTOR _____	
ARCHITECT / ENGINEER _____	

**16GA. S/S CONSTR. MOBILE CLEAN ROOM GOWNING STATION**

- ALL #4 FIN. T-304 S/S.
- 316 & 316 L AVAILABLE.



**FRONT VIEW**



MADE IN  
 THE U.S.A  
 CERTIFIED  
 TO ANSI

**USE FOR ARCHITECT / ENGINEER / CONTRACTOR APPROVAL**

JOB NAME \_\_\_\_\_ DATE \_\_\_\_\_

MODEL No. \_\_\_\_\_ QTY \_\_\_\_\_

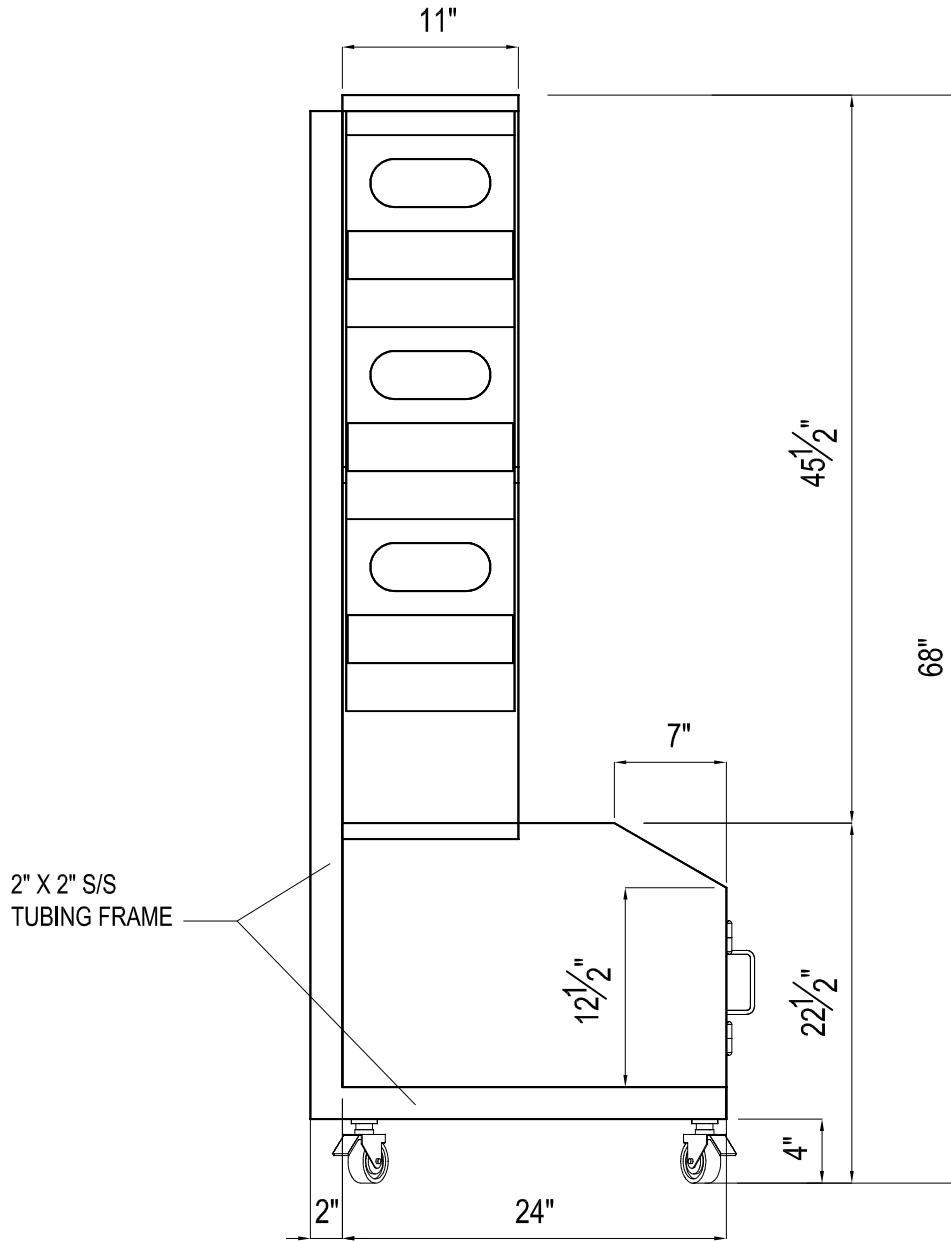
CUSTOMER \_\_\_\_\_

CONTRACTOR \_\_\_\_\_

ARCHITECT / ENGINEER \_\_\_\_\_

**16GA. S/S CONSTR. MOBILE CLEAN ROOM GOWNING STATION**

- ALL #4 FIN. T-304 S/S.
- 316 & 316 L AVAILABLE.



**SIDE VIEW**



MADE IN THE U.S.A  
 CERTIFIED TO ANSI

**USE FOR ARCHITECT / ENGINEER / CONTRACTOR APPROVAL**

JOB NAME \_\_\_\_\_ DATE \_\_\_\_\_

MODEL No. \_\_\_\_\_ QTY \_\_\_\_\_

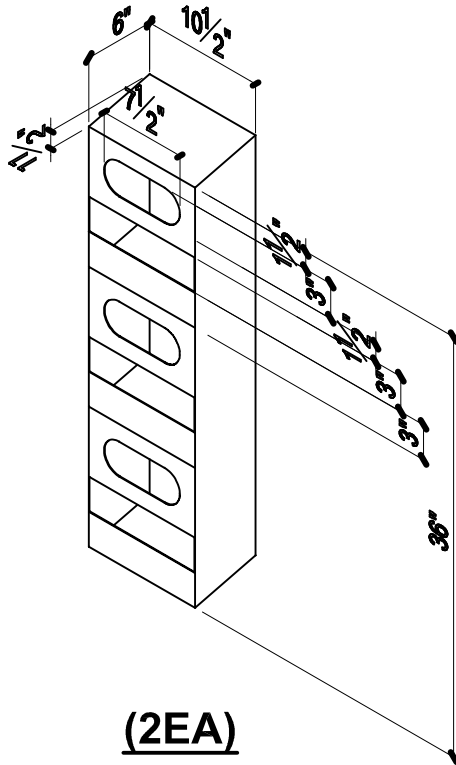
CUSTOMER \_\_\_\_\_

CONTRACTOR \_\_\_\_\_

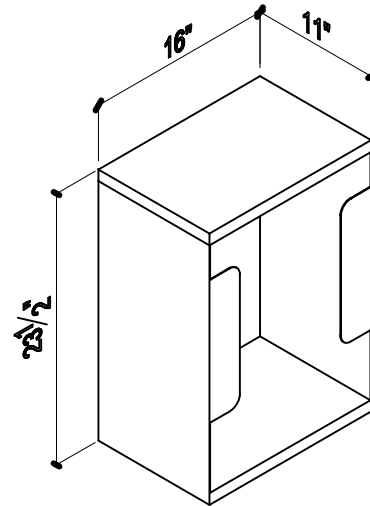
ARCHITECT / ENGINEER \_\_\_\_\_

**16GA. S/S CONSTR. MOBILE CLEAN ROOM GOWNING STATION**

- ALL #4 FIN. T-304 S/S.
- 316 & 316 L AVAILABLE.



**(2EA)**



**(6EA)**



MADE IN  
 THE U.S.A  
 CERTIFIED  
 TO ANSI

**USE FOR ARCHITECT / ENGINEER / CONTRACTOR APPROVAL**

JOB NAME \_\_\_\_\_ DATE \_\_\_\_\_

MODEL No. \_\_\_\_\_ QTY \_\_\_\_\_

CUSTOMER \_\_\_\_\_

CONTRACTOR \_\_\_\_\_

ARCHITECT / ENGINEER \_\_\_\_\_