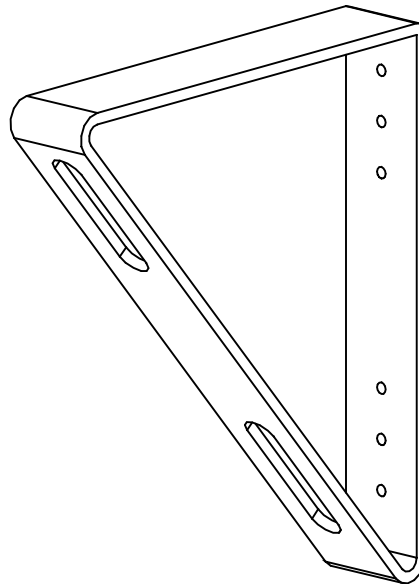


(2EA) GWM-43 12" X 5'-6" LONG

(2EA) GWM-44 12" X 7" LONG



USE FOR ARCHITECT / ENGINEER / CONTRACTOR APPROVAL

JOB NAME _____ DATE _____

MODEL No. _____ QTY _____

CUSTOMER _____

CONTRACTOR _____

ARCHITECT / ENGINEER _____



MADE IN
 THE U.S.A
 CERTIFIED
 TO ANSI