

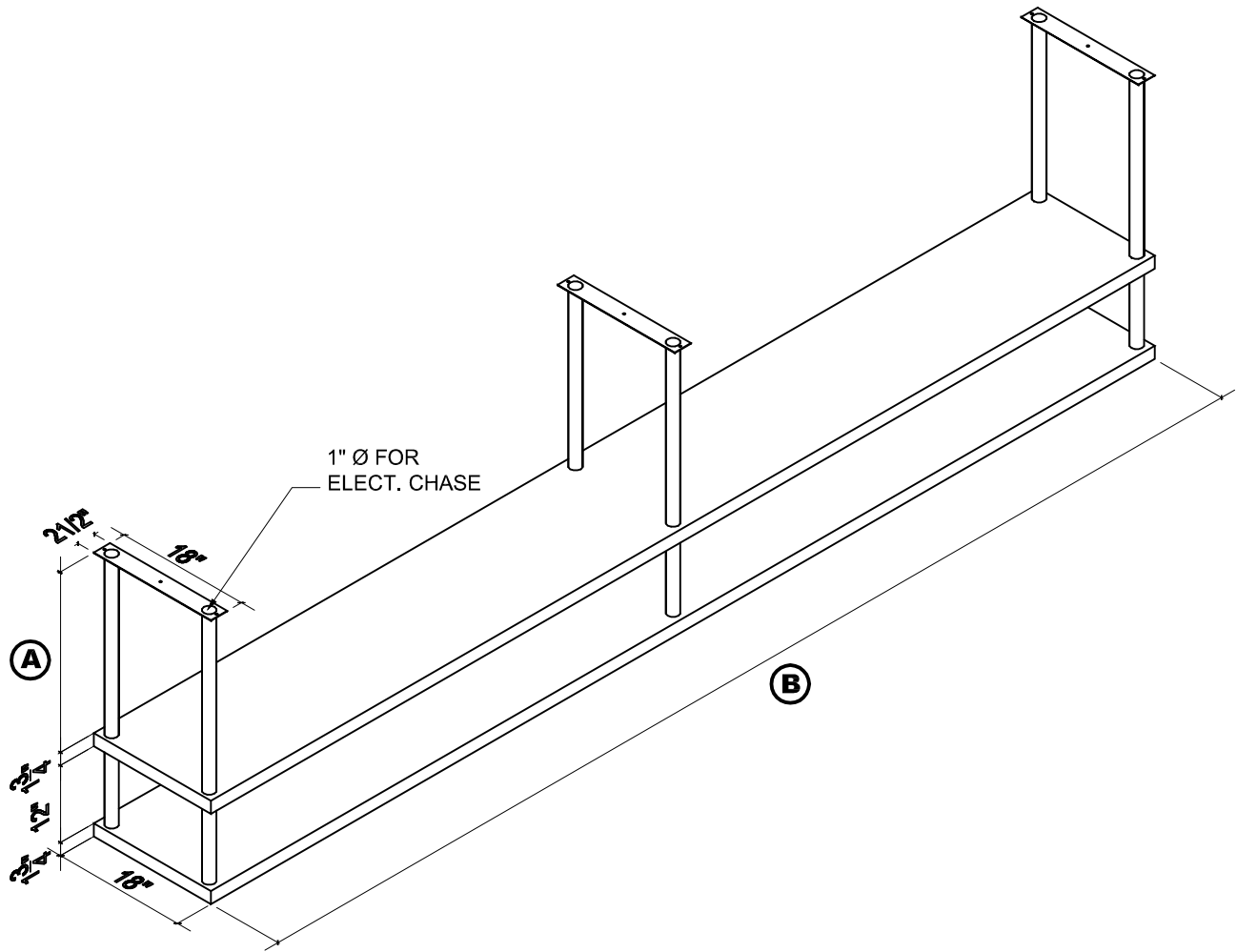
BERLIN CEILING MTD SHELVES

FOOD & LAB EQUIPMENT CO.
Performance through stainless!

Performance Through Stainless!

877-499-4231

43 SOUTH LINDEN AVE. SOUTH SAN FRANCISCO, CA 94080 PH (650) 589-4231 FAX (650) 589-3981 WWW.BERLINUSA.COM



STANDARD SPECIFICATIONS



MADE IN
THE U.S.A
CERTIFIED
TO ANSI

STA - PRO CMS SERIES CEILING MOUNTED SHELVES ARE CONSTRUCTED OF 16 GAUGE T -304 STAINLESS STEEL WITH A # 4 FINISH. EDGES ARE TURNED DOWN 1.75" . POSTS ARE 1-5/8" O.D. STAINLESS STEEL TUBE WELDED TO SHELVES. EACH SHELF IS REINFORCED WITH S/S HAT CHANNELS. CEILING MOUNTING PADS ARE 14 GA. S/S PLATE WELDED TO POST. SPECIFY LENGTH OF POST (A) FOR CORRECT MOUNTING HEIGHT.